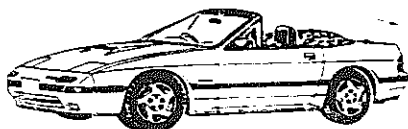
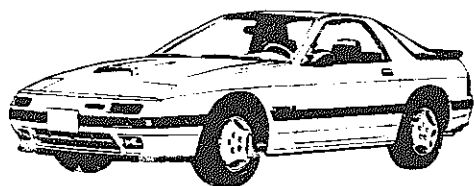


Parts Catalog

Mazda RX-7
U.S.A.
(89 ▶ '90)



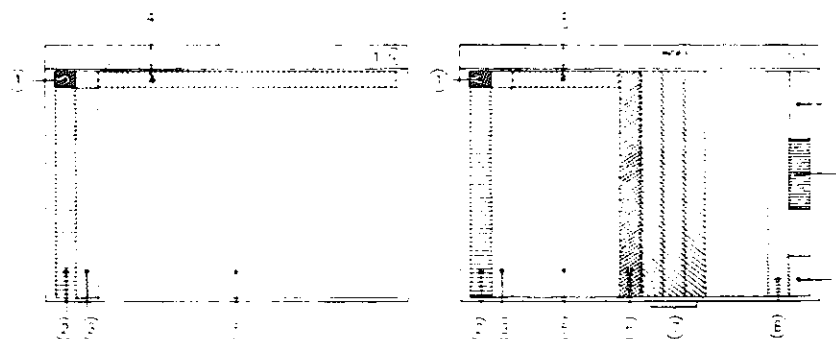
FC3-700001 - 900000

May '92 (FINAL)
Catalog No. AU-FA02-06

mazda
© 1992 Mazda Motor Corporation

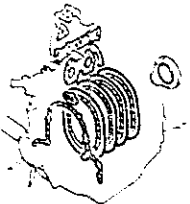
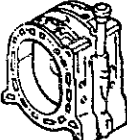

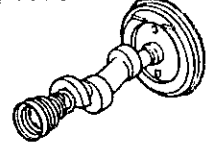

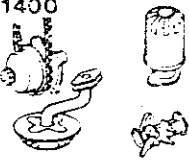
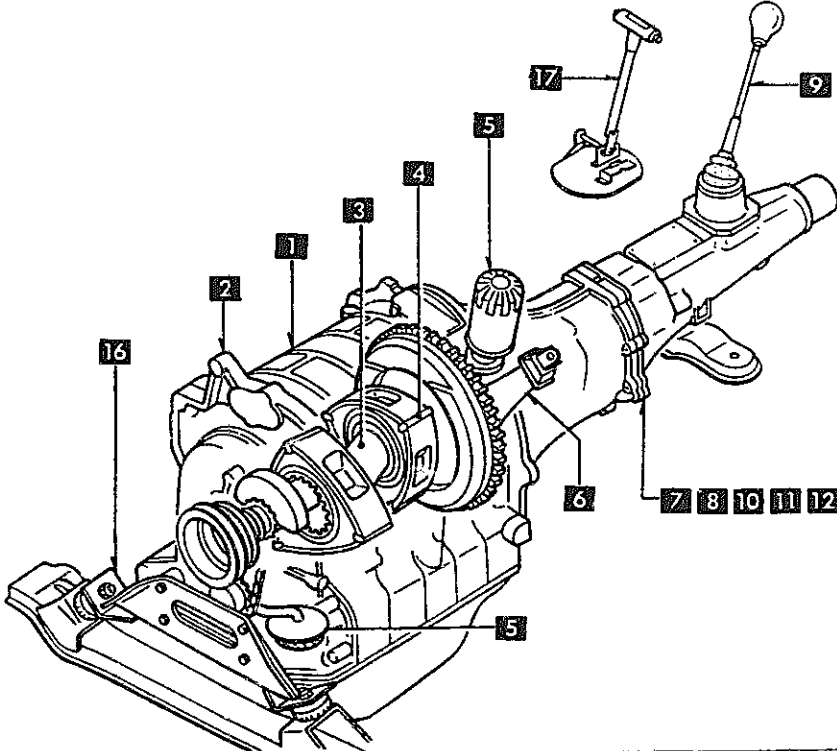

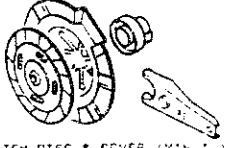
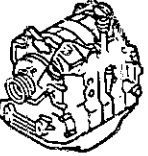
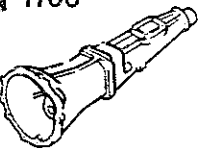
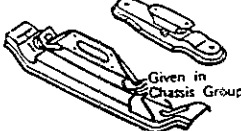
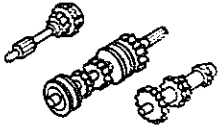
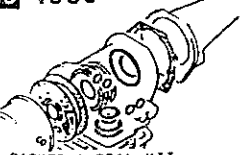
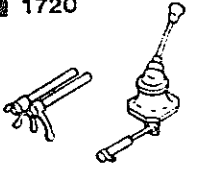
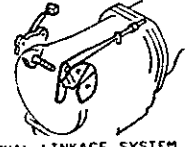
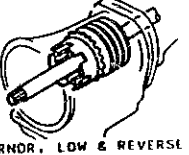
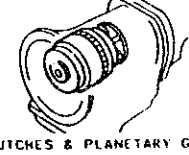

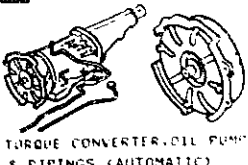
LAYOUT OF CONTENTS

- The following is a typical example of the layout of contents of Mazda microfiche parts cards.



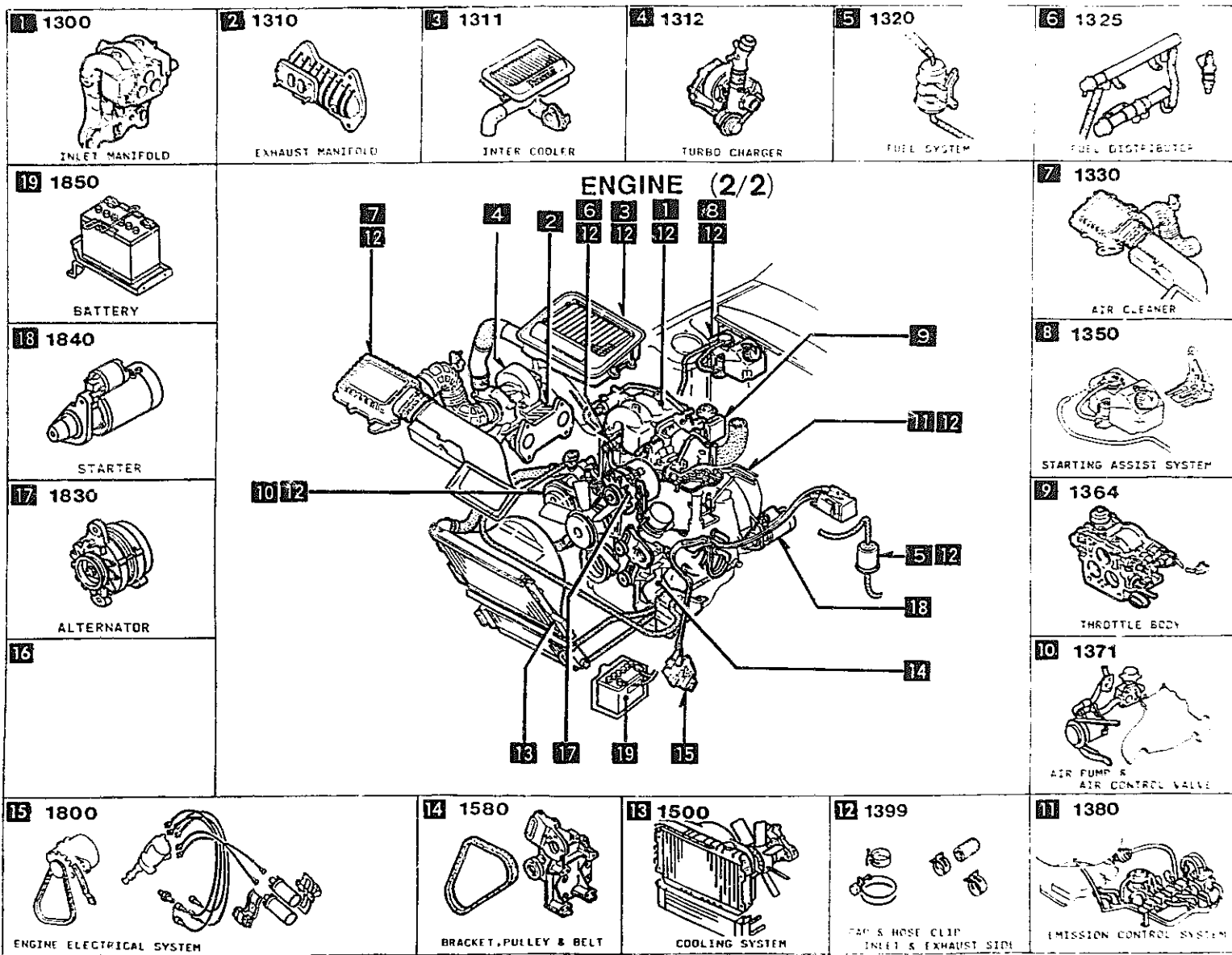
- | | | |
|--------------------------------------|--------------------------|-----------------------------------|
| 1 - Layout of contents | 2 - Pictorial Index | 3 - Master Section No. Index |
| 4 - Section No. Index for the Column | 5 - Illustration & Text | 6 - Part No. Index |
| 7 - Alphabetical Index | 8 - Model Identification | 9 - Vehicle Identification System |

PICTORIAL INDEX

<p>1000</p>  <p style="text-align: center;">ROTOR HOUSINGS</p>	<p>1 1030</p>  <p style="text-align: center;">ROTOR HOUSINGS</p>	<p>2 1040</p>  <p style="text-align: center;">OIL PAN, FRONT & REAR HOUSING</p>	<p>3 1100</p>  <p style="text-align: center;">ECCENTRIC SHAFT & FLYWHEEL</p>	<p>4 1110</p>  <p style="text-align: center;">ROTOR & RELATED PARTS</p>	<p>5 1400</p>  <p style="text-align: center;">OIL PUMP & FILTER</p>
<p>ENGINE (1/2)</p> 					
<p>17 4600</p>  <p style="text-align: center;">CHANGE CONTROL SYSTEM</p>					<p>6 1600</p>  <p style="text-align: center;">CLUTCH DISC & COVER (MANUAL)</p>
<p>16 4000</p>  <p style="text-align: center;">SHORT ENGINE & GASKET SETS</p>					<p>7 1700</p>  <p style="text-align: center;">TRANSMISSION CASE (MANUAL)</p>
<p>13 3900</p>  <p style="text-align: center;">ENGINE & TRANSMISSION MOUNTINGS</p>					<p>8 1710</p>  <p style="text-align: center;">TRANSMISSION GEARS (MANUAL)</p>
<p>15 1960</p>  <p style="text-align: center;">GASKET & SEAL KIT (AUTOMATIC)</p>					<p>9 1720</p>  <p style="text-align: center;">CHANGE CONTROL SYSTEM (MANUAL)</p>
<p>14 1950</p>  <p style="text-align: center;">MANUAL LINKAGE SYSTEM (AUTOMATIC)</p>	<p>13 1940</p>  <p style="text-align: center;">GOVERNOR, LOW & REVERSE PISTON (AUTOMATIC)</p>	<p>12 1930</p>  <p style="text-align: center;">CLUTCHES & PLANETARY GEARS (AUTOMATIC)</p>	<p>11 1920 1925</p>  <p style="text-align: center;">TRANSMISSION CASE & MAIN CONTROL SYSTEM (AUTOMATIC)</p>	<p>10 1910</p>  <p style="text-align: center;">TORQUE CONVERTER, OIL PUMP & PIPINGS (AUTOMATIC)</p>	

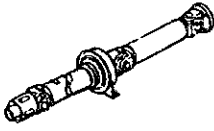
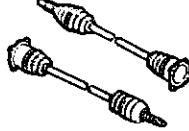
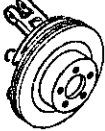

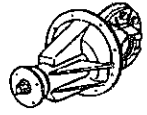
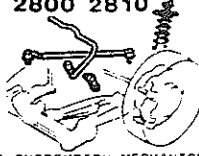

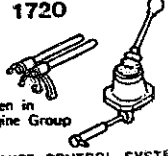
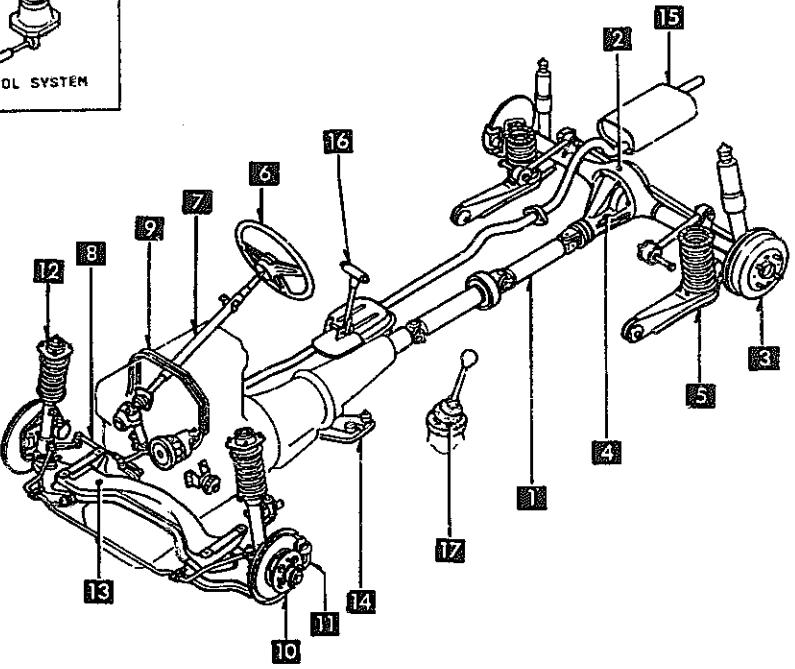
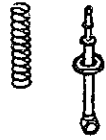
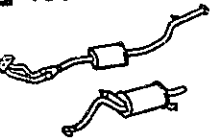

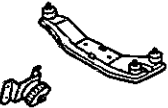

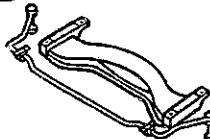


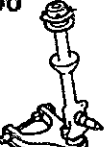

As this illustration is prepared to be applicable to all models, some parts are different in specifications from the parts listed in this parts Catalog

PICTORIAL INDEX



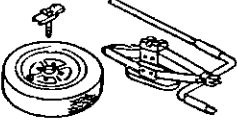

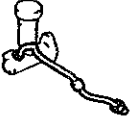

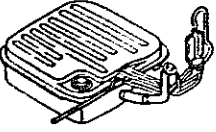
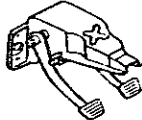
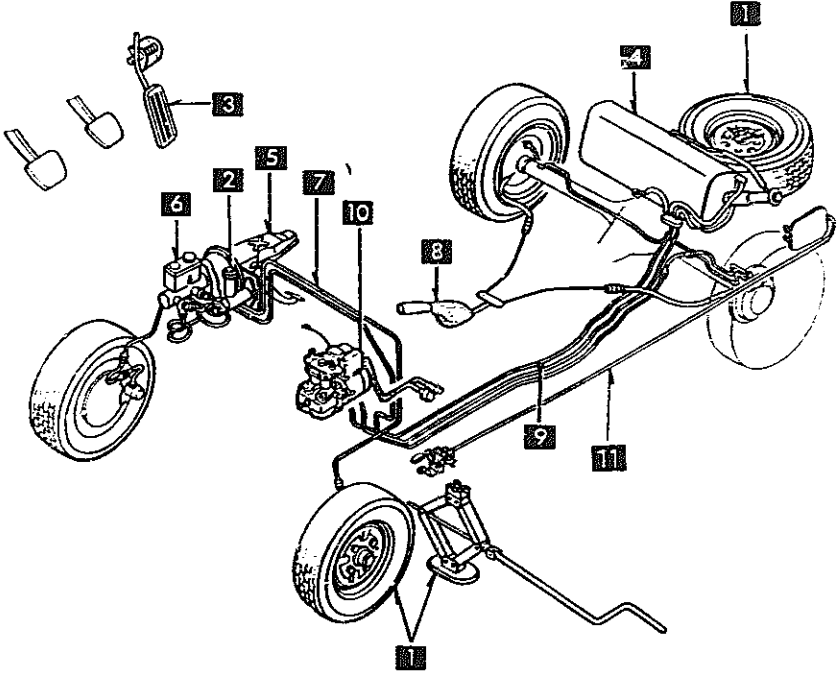
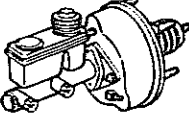


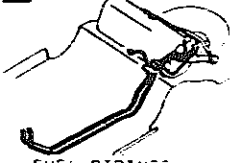
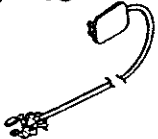
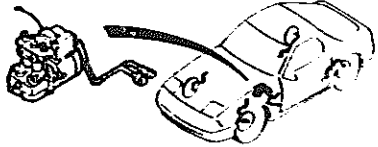
As this illustration is prepared to be applicable to all models, some parts are different in specifications from the parts listed in this parts Catalog

PICTORIAL INDEX

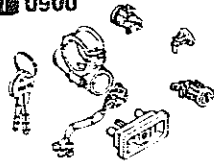
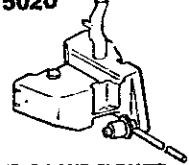

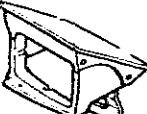
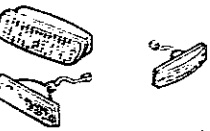
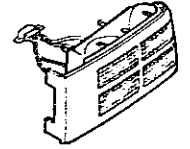
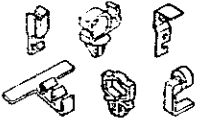
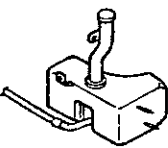
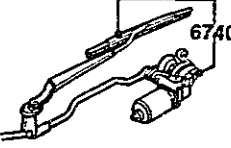
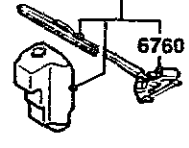
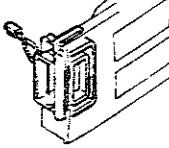

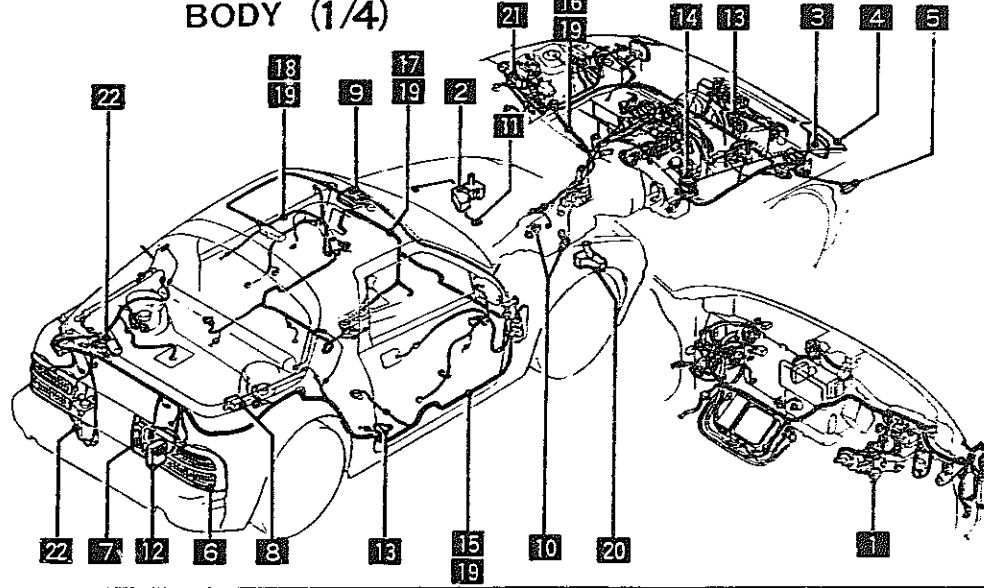

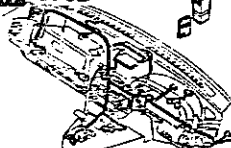




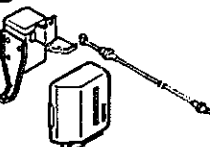
<p>1 2505</p>  <p>REAR PROPELLER SHAFT</p>	<p>2 2550</p>  <p>REAR DRIVE SHAFT</p>	<p>2600</p>  <p>REAR AXLE</p>	<p>3 2610</p>  <p>REAR BRAKE MECHANISMS</p>	<p>4 2710</p>  <p>REAR DIFFERENTIALS</p>	<p>5 2800 2810</p>  <p>REAR SUSPENSION MECHANISMS REAR STABILIZER</p>
<p>16 4600</p>  <p>CHANGE CONTROL SYSTEM (AUTOMATIC)</p>	<p>17 1720</p> <p>Given in Engine Group</p>  <p>CHANGE CONTROL SYSTEM (MANUAL)</p>	<p style="text-align: center;">CHASSIS (1/2)</p> 			<p>2801</p>  <p>REAR SPRING & DAMPER</p>
<p>15 4000</p>  <p>EXHAUST SYSTEM</p>	<p>2830</p>  <p>REAR LOWER ARMS & SUB FRAME</p>				
<p>14 3900</p>  <p>ENGINE & TRANSMISSION MOUNTINGS</p>	<p>6 3200</p>  <p>STEERING WHEEL</p>				
<p>13 3410</p>  <p>CROSSMEMBER & STABILIZER</p>	<p>7 3210</p>  <p>STEERING COLUMN & SHAFTS</p>				
<p>12 3401</p>  <p>FRONT SPRING & DAMPER</p>	<p>3400</p>  <p>FRONT SUSPENSION MECHANISMS</p>				<p>11 3310</p>  <p>FRONT BRAKE MECHANISMS</p>

As this illustration is prepared to be applicable to all models, some parts are different in specifications from the parts listed in this parts Catalog.

PICTORIAL INDEX

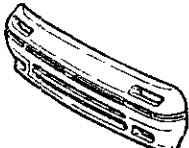





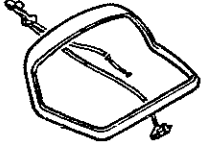
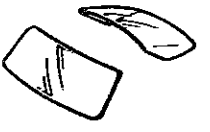
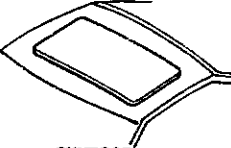

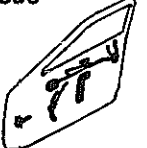
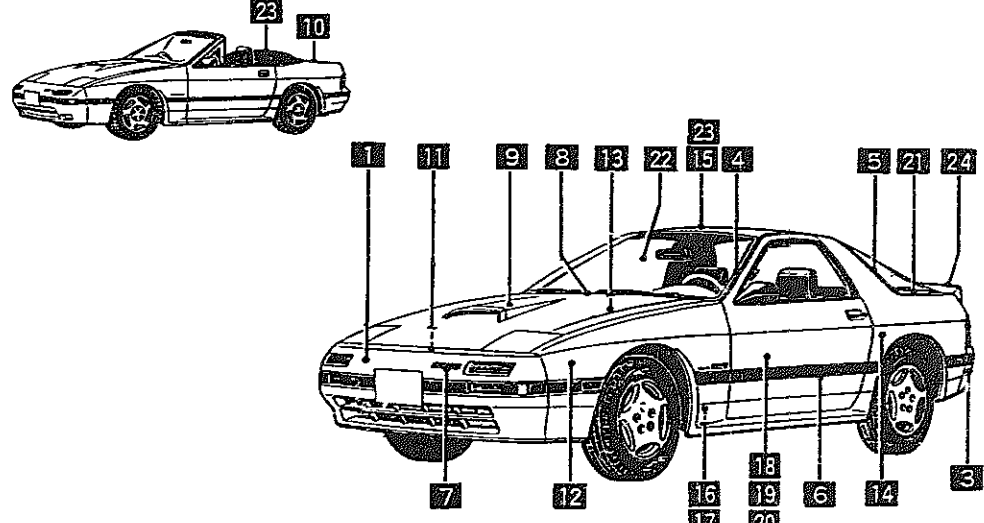
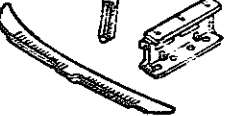
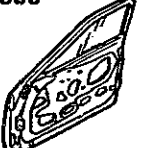
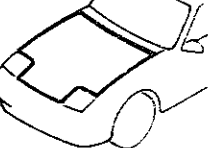


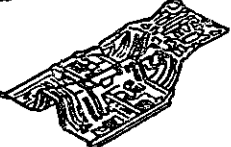

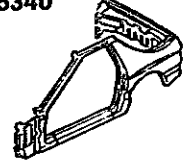
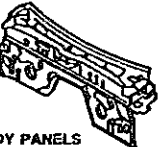
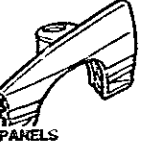
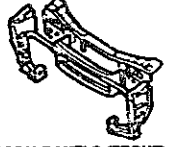
<p>1 3700</p>  <p>TIRES & JACK</p>	<p>2 4140</p>  <p>CLUTCH RELEASE & MASTER CYLINDERS (MANUAL TRANSMISSION)</p>	<p>4145</p>  <p>CLUTCH PIPINGS (MANUAL TRANSMISSION)</p>	<p>3 4160</p>  <p>ACCELERATOR CONTROL SYSTEM</p>	<p>4 4200</p>  <p>FUEL TANK</p>	<p>5 4300</p>  <p>CLUTCH & BRAKE PEDALS (MANUAL TRANSMISSION)</p>
<p>CHASSIS (2/2)</p>  <p>As this illustration is prepared to be applicable to all models, some parts are different in specifications from the parts listed in this parts Catalog</p>					
<p>6 4340</p>  <p>BRAKE MASTER CYLINDER & POWER BRAKE</p> <p>7 4360</p>  <p>BRAKE PIPINGS</p> <p>8 4400</p>  <p>PARKING BRAKE SYSTEM</p> <p>9 4500</p>  <p>FUEL PIPINGS</p> <p>11 4210</p>  <p>FUEL LID OPENER</p> <p>10 4370</p>  <p>ANTILOCK BRAKE SYSTEM</p>					

PICTORIAL INDEX

<p>1 0900</p>  <p>KEY SETS</p>	<p>2 5020</p>  <p>HEAD LAMP CLEANER</p>	<p>3 5100</p>  <p>HEAD LAMPS</p>	<p>4 5103</p>  <p>HEAD LAMP RETRACTORS</p>	<p>5 5105</p>  <p>FRONT COMBINATION LAMPS</p>	<p>6 5110</p>  <p>REAR COMBINATION LAMPS</p>
<p>19 6704</p>  <p>WIRING HARNESS CLAMPS</p>	<p>20 6720</p>  <p>WINDSHIELD WASHER</p>	<p>21 6730</p>  <p>WINDSHIELD WIPERS</p>	<p>22 6750</p>  <p>WINDOW WIPER & WASHER (REAR)</p>	<p>7 5120</p>  <p>LICENSE LAMPS</p>	
<p>18 6703</p>  <p>WIRING HARNESSSES (DOOR, FLOOR/CEILING)</p>	<p>BODY (1/4)</p> 				<p>8 5125</p>  <p>INTERIOR LAMPS</p>
<p>17 6702</p>  <p>WIRING HARNESSSES (DASHBOARD)</p>					<p>9 5130</p>  <p>OVERHEAD CONSOLE</p>
<p>16 6701</p>  <p>WIRING HARNESSSES (ENGINE & TRANSMISSION)</p>					<p>10 6600</p>  <p>SWITCHES & RELAYS (ENGINE)</p>
<p>15 6700</p>  <p>WIRING HARNESSSES (FRONT & REAR)</p>					<p>14 6640</p>  <p>AUTO CRUISE CONTROL SYSTEM</p>

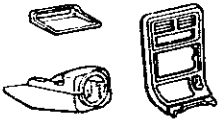
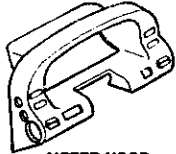
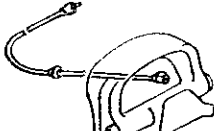
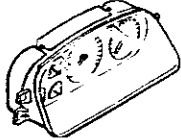
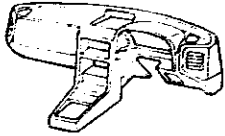
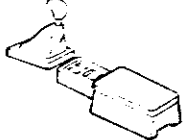
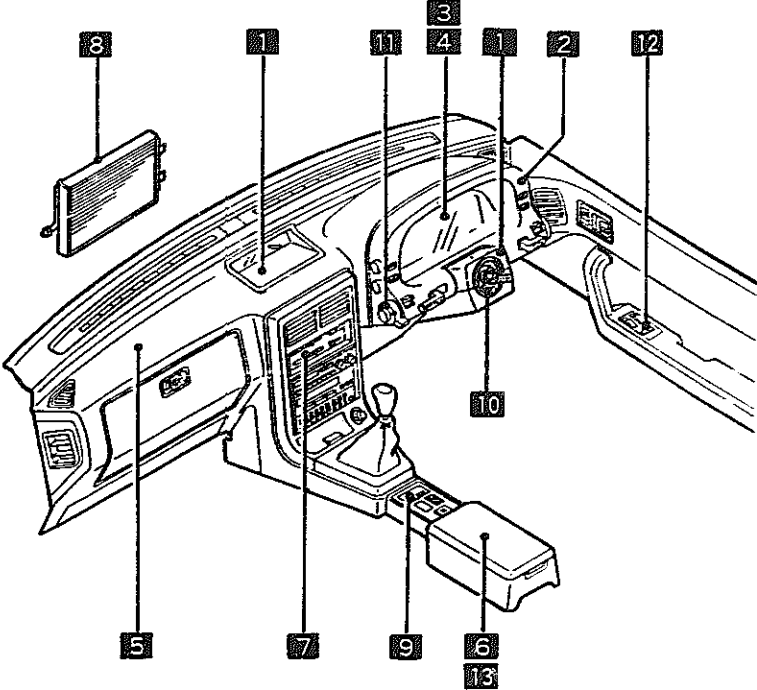
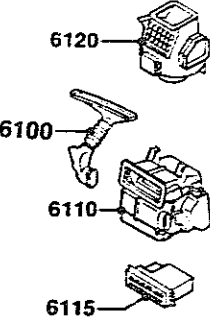
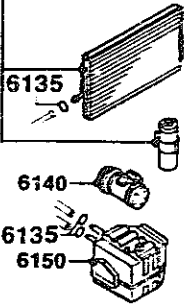
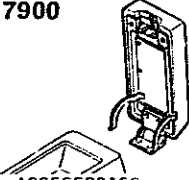
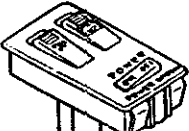
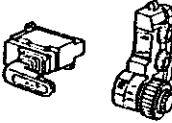
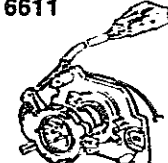
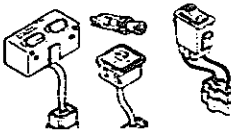
As this illustration is prepared to be applicable to all models, some parts are different in specifications from the parts listed in this parts Catalog

PICTORIAL INDEX

<p>1 5000</p>  <p>FRONT BUMPER</p>	<p>2</p>	<p>3 5010</p>  <p>REAR BUMPER</p>	<p>4 5030</p>  <p>WINDOW MOULDINGS</p>	<p>5 5040</p>  <p>BODY MOULDINGS</p>	<p>6 5060</p>  <p>SIDE PROTECTORS</p>
<p>20 5840</p>  <p>FRONT DOOR TRIMS & RELATED PARTS</p>	<p>21 6230</p>  <p>LIFT GATE MECHANISMS</p>	<p>22 6300</p>  <p>WINDOW GLASSES</p>	<p>23 6330</p>  <p>SUNROOF</p>	<p>24 7800</p>  <p>SPOILERS & RELATED PARTS</p>	<p>7 5170</p> <p>RX-7 MAZDA</p> <p>ORNAMENTS</p>
<p>19 5830</p>  <p>FRONT DOOR MECHANISMS</p>	<p>BODY (2/4)</p> 				<p>8 5180</p>  <p>COWL & EXTRACTOR GRILLES</p>
<p>18 5800</p>  <p>FRONT DOORS</p>					<p>9 5230</p>  <p>BONNET</p>
<p>17 5390</p> <p>5380</p>  <p>FLOOR ATTACHMENTS</p>					<p>10 5260</p>  <p>TRUNK LID</p>
<p>16 5370</p>  <p>BODY PANELS (FLOOR)</p>	<p>15 5360</p>  <p>BODY PANELS (ROOF)</p>	<p>14 5340</p>  <p>BODY PANELS (SIDE)</p>	<p>13 5330</p>  <p>BODY PANELS (DASH & COWL PANEL)</p>	<p>12 5320</p>  <p>BODY PANELS (FENDER & WHEEL APRON)</p>	<p>11 5310</p>  <p>BODY PANELS (FRONT)</p>

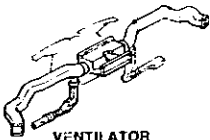

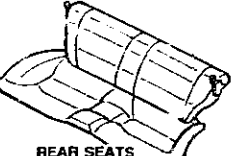
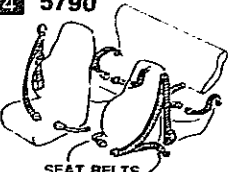
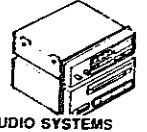
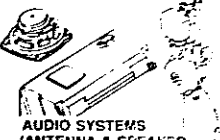
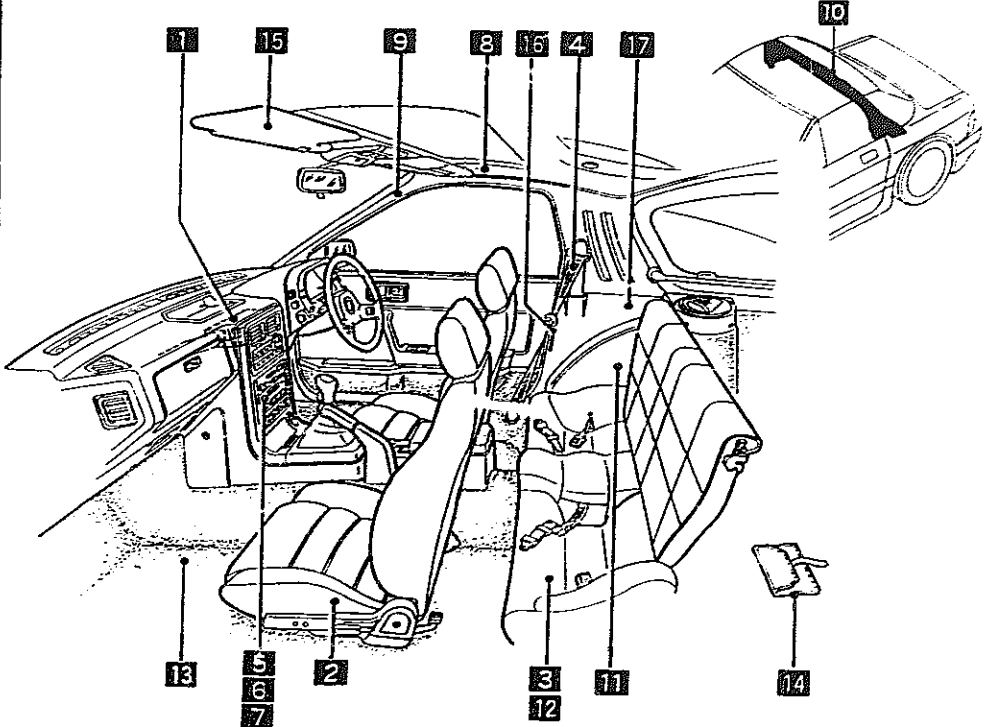

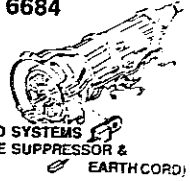
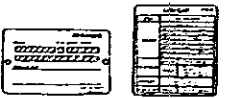


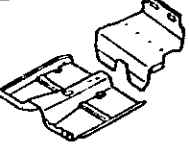
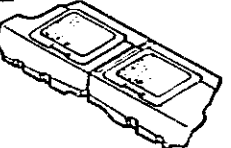
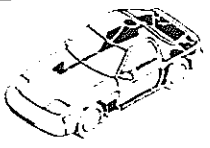
As this illustration is prepared to be applicable to all models, some parts are different in specifications from the parts listed in this parts Catalog

PICTORIAL INDEX

<p>1 5500</p>  <p>DASHBOARD EQUIPMENTS</p>	<p>2 5520</p>  <p>METER HOOD</p>	<p>3 5530</p>  <p>SPEEDOMETER CABLE</p>	<p>4 5540</p>  <p>METER COMPONENTS</p>	<p>5 5560</p>  <p>DASHBOARD & RELATED PARTS</p>	<p>6 5570</p>  <p>CONSOLE</p>	
<p>BODY (3/4)</p> 						<p>7</p>  <p>6120 6100 6110 6115 HEATER</p>
						<p>8 6130</p>  <p>6135 6140 6135 6150 AIR CONDITIONER</p>
<p>13 7900</p>  <p>ACCESSORIES</p>		<p>12 6615</p>  <p>POWER WINDOW SWITCHES</p>	<p>11 6612</p>  <p>CLUSTER SWITCH</p>	<p>10 6611</p>  <p>COMBINATION SWITCH</p>	<p>9 6610</p>  <p>DASHBOARD SWITCHES</p>	

As this illustration is prepared to be applicable to all models, some parts are different in specifications from the parts listed in this parts Catalog

PICTORIAL INDEX

<p>1 5580</p>  <p>VENTILATOR</p>	<p>2 5700</p>  <p>FRONT SEATS</p>	<p>3 5750</p>  <p>REAR SEATS</p>	<p>4 5790</p>  <p>SEAT BELTS</p>	<p>5 6680</p>  <p>AUDIO SYSTEMS (RADIO & TAPE DECK)</p>	<p>6 6682</p>  <p>AUDIO SYSTEMS (ANTENNA & SPEAKER)</p>
<p>BODY (4/4)</p>					
					
<p>17 7250</p>  <p>QUARTER WINDOW & TRIMS</p>					<p>7 6684</p>  <p>AUDIO SYSTEMS (NOISE SUPPRESSOR & EARTH CORD)</p>
<p>16 6930</p>  <p>CAUTION PLATES & LABELS</p>	<p>15 6900</p>  <p>VISORS, ASSIST HANDLES & MIRRORS</p>	<p>14 6870</p>  <p>SERVICE TOOLS</p>	<p>13 6860</p>  <p>FLOOR MATS & PADS</p>	<p>12 6845</p>  <p>STORAGE BOX</p>	<p>11 6840</p>  <p>TRIMS & SCUFF PLATES</p>

As this illustration is prepared to be applicable to all models, some parts are different in specifications from the parts listed in this parts Catalog

SECTION NAME INDEX (ENGINE)

LO.NO	SEC.NO	SECTION NAME	LO.NO	SEC.NO	SECTION NAME	LO.NO	SEC.NO	SECTION NAME
1-C03	1000	SHORT ENGINE & GASKET SETS (W/O TURBO)	1-G11	1840	STARTER			
1-D03	1000 A	SHORT ENGINE & GASKET SETS (TURBO)	1-J11	1850	BATTERY			
1-E03	1030	ROTOR HOUSINGS (W/O TURBO)	1-K11	1910	TORQUE CONVERTER, OIL PUMP & PIPINGS (AUTOMATIC)			
1-G03	1030 A	ROTOR HOUSINGS (TURBO)	1-N11	1920	TRANSMISSION CASE & MAIN CONTROL SYSTEM (AUTOMATIC)			
1-J03	1040	OIL PAN, FRONT & REAR HOUSING (W/O TURBO)	1-I12	1925	CONTROL VALVE (AUTOMATIC)			
1-M03	1040 A	OIL PAN, FRONT & REAR HOUSING (TURBO)	1-D13	1930	CLUTCHES & PLANETARY GEARS (AUTOMATIC)			
1-D04	1100	ECCENTRIC SHAFT & FLYWHEEL	1-L13	1940	GOVERNOR, LOW & REVERSE PISTON (AUTOMATIC)			
1-G04	1110	ROTORS & RELATED PARTS	1-C14	1950	MANUAL LINKAGE SYSTEM (AUTOMATIC)			
1-I04	1300	INLET MANIFOLD	1-E14	1960	GASKET & SEAL KIT (AUTOMATIC)			
1-M04	1310	EXHAUST MANIFOLD						
1-N04	1311	INTER COOLER (TURBO)						
1-C05	1312	TURBO CHARGER (TURBO)						
1-F05	1320	FUEL SYSTEM						
1-H05	1325	FUEL DISTRIBUTOR						
1-I05	1330	AIR CLEANER						
1-M05	1350	STARTING ASSIST SYSTEM						
1-N05	1364	THROTTLE BODY						
1-F06	1371	AIR PUMP & AIR CONTROL VALVE						
1-I06	1380	EMISSION CONTROL SYSTEM						
1-D07	1399	CAP & HOSE CLIP (INLET & EXHAUST SIDE)						
1-F07	1400	OIL PUMP & FILTER (W/O TURBO)						
1-I07	1400 A	OIL PUMP & FILTER (TURBO)						
1-M07	1500	COOLING SYSTEM						
1-F08	1580	BRACKET, PULLEY & BELT						
1-C09	1600	CLUTCH DISC & COVER (MANUAL)						
1-F09	1700	TRANSMISSION CASE (MANUAL)						
1-J09	1710	TRANSMISSION GEARS (MANUAL)						
1-H10	1720	CHANGE CONTROL SYSTEM (MANUAL)						
1-M10	1800	ENGINE ELECTRICAL SYSTEM						
1-E11	1830	ALTERNATOR						

CATLOG-NO- AUFA02-06

DATE. 1992-05

SECTION NAME INDEX (CHASSIS)

LD.NO	SEC.NO	SECTION NAME	LD.NO	SEC.NO	SECTION NAME	LD.NO	SEC.NO	SECTION NAME
2-C03	2505	REAR PROPELLER SHAFT	2-M08	4140	CLUTCH RELEASE & MASTER CYLINDERS (MANUAL TRANSMISSION)			
2-D03	2550	REAR DRIVE SHAFT	2-C09	4145	CLUTCH PIPINGS (MANUAL TRANSMISSION)			
2-E03	2600	REAR AXLE	2-D09	4160	ACCELERATOR CONTROL SYSTEM			
2-G03	2610	REAR BRAKE MECHANISMS	2-E09	4200	FUEL TANK			
2-K03	2710	REAR DIFFERENTIALS (NORMAL DIFF.)	2-H09	4300	CLUTCH & BRAKE PEDALS (MANUAL TRANSMISSION)			
2-C04	2710 A	REAR DIFFERENTIALS (LIMITED SLIP DIFF.)	2-K09	4300A	BRAKE PEDALS (AUTOMATIC TRANSMISSION)			
2-M04	2800	REAR SUSPENSION MECHANISMS	2-M09	4340	BRAKE MASTER CYLINDER & POWER BRAKE (W/O TURBO)			
2-J04	2801	REAR SPRING & DAMPER	2-C10	4340 A	BRAKE MASTER CYLINDER & POWER BRAKE (TURBO)			
2-K04	2810	REAR STABILIZER	2-E10	4360	BRAKE PIPINGS (W/O TURBO)			
2-L04	2830	REAR LOWER ARMS & SUB FRAME	2-G10	4360 A	BRAKE PIPINGS (TURBO)			
2-N04	3200	STEERING WHEEL (W/O AIR BAG)	2-J10	4370	ANTILOCK BRAKE SYSTEM (TURBO)			
2-E05	3200 A	STEERING WHEEL (W/ AIR BAG)	2-N10	4400	PARKING BRAKE SYSTEM			
2-G05	3210	STEERING COLUMN & SHAFTS	2-D11	4500	FUEL PIPINGS			
2-I05	3220 A	STEERING GEAR (W/ POWER STEERING:ENGINE REVOLUTION PER MINUTE SENSOR) (GTU,'90-GXL,'90-CONV-W/O AIR BAG)	2-H11	4600	CHANGE CONTROL SYSTEM (AT)			
2-L05	3220 B	STEERING GEAR (W/ POWER STEERING:VELOCITY SENSOR) (GTUS,'90-GXL,TURBO,'89-CONV,'90-CONV-W/AIR BAG)						
2-C06	3240	POWER STEERING SYSTEM						
2-F06	3300	FRONT AXLE						
2-H06	3310	FRONT BRAKE MECHANISMS						
2-K06	3400	FRONT SUSPENSION MECHANISMS						
2-M06	3401	FRONT SPRING & DAMPER						
2-N06	3410	CROSSMEMBER & STABILIZER						
2-C07	3700	TIRES & JACK						
2-C08	3900	ENGINE & T/MISSION MOUNTINGS (MT)						
2-D08	390A	ENGINE & T/MISSION MOUNTINGS (AT)						
2-E08	4000	EXHAUST SYSTEM (W/O TURBO)						
2-I08	4000 A	EXHAUST SYSTEM (TURBO)						

SECTION NAME INDEX (BODY) 1/2

LO.NO	SEC.NO	SECTION NAME	LO.NO	SEC.NO	SECTION NAME	LO.NO	SEC.NO	SECTION NAME
3-C03	0900	KEY SETS	3-J09	5390	FLOOR ATTACHMENTS			
3-F03	5000	FRONT BUMPER	3-C10	5500	DASHBOARD EQUIPMENTS			
3-H03	5010	REAR BUMPER	3-F10	5520	METER HOOD			
3-J03	5020	HEAD LAMP CLEANER	3-G10	5530	SPEEDOMETER CABLE			
3-L03	5030	WINDOW MOULDINGS	3-H10	5540	METER COMPONENTS			
3-M03	5040	BODY MOULDINGS (COUPE)	3-J10	5560	DASHBOARD & RELATED PARTS			
3-E04	5060	SIDE PROTECTORS	3-E11	5570	CONSOLE			
3-I04	5100	HEAD LAMPS	3-H11	5580	VENTILATOR			
3-J04	5103	HEAD LAMP RETRACTORS	3-J11	5700	FRONT SEATS (COUPE)			
3-N04	5105	FRONT COMBINATION LAMPS	3-E13	5700A	FRONT SEATS (CONVERTIBLE)			
3-G05	5110	REAR COMBINATION LAMPS	3-K13	5750	REAR SEATS (COUPE)			
3-K05	5120	LICENSE LAMPS	3-M13	5790	SEAT BELTS (COUPE)			
3-M05	5125	INTERIOR LAMPS	3-C14	5790A	SEAT BELTS (CONVERTIBLE)			
3-N05	5130	OVERHEAD CONSOLE	3-D14	5800	FRONT DOORS (COUPE)			
3-C06	5170	ORNAMENTS	3-G14	5800A	FRONT DOORS (CONVERTIBLE)			
3-D06	5180	COWL & EXTRACTOR GRILLES	3-K14	5830	FRONT DOOR MECHANISMS (COUPE)			
3-G06	5230	BONNET	3-F15	5830A	FRONT DOOR MECHANISMS (CONVERTIBLE)			
3-J06	5260	TRUNK LID (CONVERTIBLE)	3-J15	5840	FRONT DOOR TRIMS & RELATED PARTS (COUPE)			
3-L06	5310	BODY PANELS (FRONT) (COUPE)	3-H16	5840A	FRONT DOOR TRIMS & RELATED PARTS (CONVERTIBLE)			
3-C07	5310 A	BODY PANELS (FRONT) (CONVERTIBLE)						
3-F07	5320	BODY PANELS (FENDER & WHEEL ARCH)						
3-K07	5330	BODY PANELS (DASH & COWL PANEL)						
3-L07	5340	BODY PANELS (SIDE) (COUPE)						
3-E08	5340A	BODY PANELS (SIDE) (CONVERTIBLE)						
3-K08	5360	BODY PANELS (ROOF) (W/O SUN ROOF)						
3-L08	5360 A	BODY PANELS (ROOF) (SUN ROOF)						
3-M08	5370	BODY PANELS (FLOOR) (COUPE)						
3-D09	5370 A	BODY PANELS (FLOOR) (CONVERTIBLE)						
3-H09	5380	FLOOR ATTACHMENTS (HOLE COVERS)						

SECTION NAME INDEX (BODY) 2/2

LO.NO	SEC.NO	SECTION NAME	LO.NO	SEC.NO	SECTION NAME	LO.NO	SEC.NO	SECTION NAME
4-C03	6100	HEATER	4-E08	6703	WIRING HARNESES(DOOR,FLOOR/CEILING)			
4-E03	6110	HEATER UNIT COMPONENTS	4-G08	6704	WIRING HARNESS CLAMPS			
4-F03	6115	HEATER CONTROLS COMPONENTS	4-J08	6720	WINDSHIELD WASHER (1.5L & 2.5L)			
4-G03	6120	HEATER BLOWER COMPONENTS	4-L08	6720 A	WINDSHIELD WASHER (5.7L)			
4-I03	6130	AIR CONDITIONER	4-N08	6730	WINDSHIELD WIPERS			
4-J03	6230	LIFT GATE MECHANISMS (COUPE)	4-C09	6740	WIPER MOTOR COMPONENTS(FRONT)			
4-M03	6300	WINDOW GLASSES (COUPE)	4-D09	6750	WINDOW WIPER & WASHER (REAR)			
4-N03	6300A	WINDOW GLASSES (CONVERTIBLE)	4-G09	6760	WINDOW WIPER MOTOR COMPONENTS (REAR)			
4-C04	6330	SUNROOF (COUPE)	4-H09	6800	CEILING TRIMS (COUPE)			
4-G04	6330A	SUNROOF (CONVERTIBLE)	4-J09	6800A	CEILING TRIMS (CONVERTIBLE)			
4-M04	6600	SWITCHES & RELAYS (ENGINE)	4-K09	6810	ROLLEBAR (CONVERTIBLE)			
4-G05	6610	DASHBOARD SWITCHES	4-N09	6820	PILLAR TRIMS (COUPE)			
4-H05	6611	COMBINATION SWITCH	4-F10	6820A	PILLAR TRIMS (CONVERTIBLE)			
4-I05	6612	CLUSTER SWITCH	4-G10	6840	TRIMS & SCUFF PLATES (COUPE)			
4-L05	6615	POWER WINDOW SWITCHES	4-L10	6840A	TRIMS & SCUFF PLATES (CONVERTIBLE)			
4-M05	6630	RELAYS & UNIT (BODY)	4-N10	6845	STRAGE BOX (COUPE)			
4-D06	6635	DOOR SWITCH & HORNS			(GXL,TURBO)			
4-E06	6640	AUTO CRUISE CONTROL SYSTEM	4-D11	6860	FLOOR MATS & PADS (COUPE)			
4-F06	6680	AUDIO SYSTEMS (RADIO & TAPE DECK) (COUPE)	4-K11	6860A	FLOOR MATS & PADS (CONVERTIBLE)			
4-K06	6680 A	AUDIO SYSTEMS (RADIO & TAPE DECK) (CONVERTIBLE)	4-C12	6870	SERVICE TOOLS			
4-M06	6682	AUDIO SYSTEMS (ANTENNA & SPEAKER) (COUPE)	4-D12	6900	VISORS,ASSIST HANDLES & MIRRORS (COUPE)			
4-D07	6682 A	AUDIO SYSTEMS (ANTENNA & SPEAKER) (CONVERTIBLE)	4-H12	6900A	VISORS,ASSIST HANDLES & MIRRORS (CONVERTIBLE)			
4-G07	6684	AUDIO SYSTEMS(NOISE SUPPRESSOR & EARTH CORD)	4-K12	6930	CAUTION PLATES & LABELS			
4-H07	6700	WIRING HARNESES(FRONT & REAR)	4-N12	7250	QUARTER WINDOW & TRIMS			
4-N07	6701	WIRING HARNESES(ENGINE & TRANSMISSION)	4-E13	7800	SPOILERS & RELATED PARTS			
4-D08	6702	WIRING HARNESES(DASHBOARD)	4-C14	7900	ACCESSORIES			

CATLOG-NO= AUFA02-06

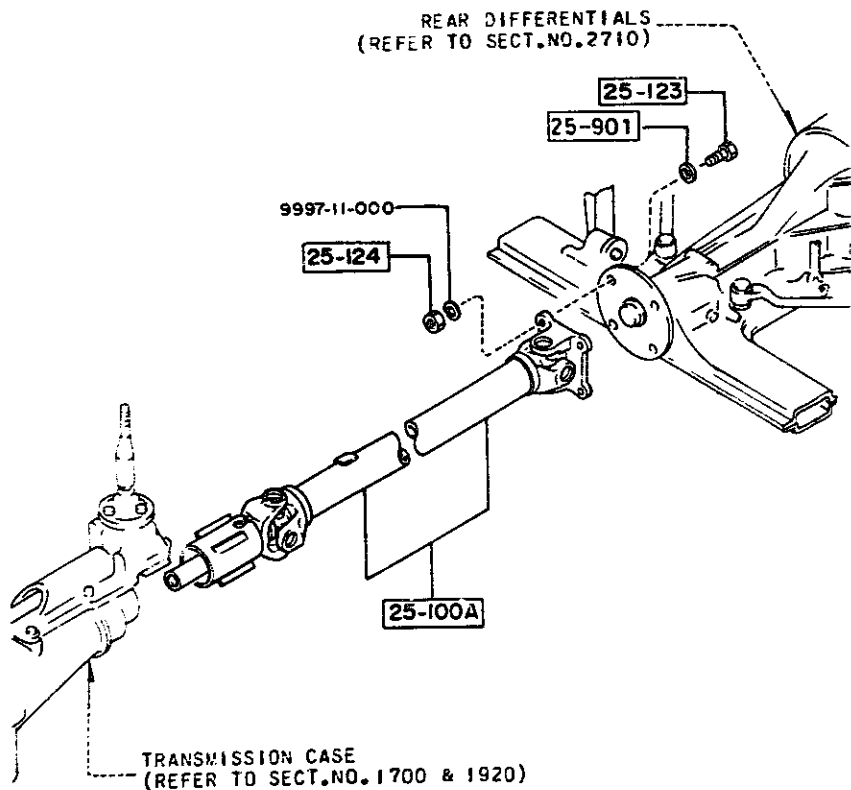
DATE. 1992-05

SECTION NAME INDEX (CHASSIS)

LO.NO	SEC.NO	SECTION NAME	LO.NO	SEC.NO	SECTION NAME	LO.NO	SEC.NO	SECTION NAME
2-C03	2505	REAR PROPELLER SHAFT	2-M08	4140	CLUTCH RELEASE & MASTER CYLINDERS (MANUAL TRANSMISSION)			
2-D03	2550	REAR DRIVE SHAFT	2-C09	4145	CLUTCH PIPINGS (MANUAL TRANSMISSION)			
2-E03	2600	REAR AXLE	2-D09	4160	ACCELERATOR CONTROL SYSTEM			
2-G03	2610	REAR BRAKE MECHANISMS	2-E09	4200	FUEL TANK			
2-K03	2710	REAR DIFFERENTIALS (NORMAL DIFF.)	2-E09	4300	CLUTCH & BRAKE PEDALS (MANUAL TRANSMISSION)			
2-C04	2710 A	REAR DIFFERENTIALS (LIMITED SLIP DIFF.)	2-K09	4300A	BRAKE PEDALS (AUTOMATIC TRANSMISSION)			
2-H04	2800	REAR SUSPENSION MECHANISMS	2-M09	4340	BRAKE MASTER CYLINDER & POWER BRAKE (W/O TURBO)			
2-J04	2801	REAR SPRING & DAMPER	2-C10	4340 A	BRAKE MASTER CYLINDER & POWER BRAKE (TURBO)			
2-K04	2810	REAR STABILIZER	2-E10	4360	BRAKE PIPINGS (W/O TURBO)			
2-L04	2830	REAR LOWER ARMS & SUB FRAME	2-G10	4360 A	BRAKE PIPINGS (TURBO)			
2-N04	3200	STEERING WHEEL (W/O AIR BAG)	2-J10	4370	ANTILOCK BRAKE SYSTEM (TURBO)			
2-E05	3200 A	STEERING WHEEL (W/ AIR BAG)	2-N10	4400	PARKING BRAKE SYSTEM			
2-G05	3210	STEERING COLUMN & SHAFTS	2-D11	4500	FUEL PIPINGS			
2-I05	3220 A	STEERING GEAR (W/ POWER STEERING:ENGINE REVOLUTION PER MINUTE SENSOR) (GTU, '90-GX L, '90-CONV-W/O AIR BAG)	2-H11	4600	CHANGE CONTROL SYSTEM (AT)			
2-L05	3220 B	STEERING GEAR (W/ POWER STEERING:VELOCITY SENSOR) (GTUS, '90-G XL, TURBO, '89-CONV, '90-CONV-W/A IR BAG)						
2-C06	3240	POWER STEERING SYSTEM						
2-F06	3300	FRONT AXLE						
2-H06	3310	FRONT BRAKE MECHANISMS						
2-K06	3400	FRONT SUSPENSION MECHANISMS						
2-M06	3401	FRONT SPRING & DAMPER						
2-N06	3410	CROSSMEMBER & STABILIZER						
2-C07	3700	TIRES & JACK						
2-C08	3900	ENGINE & T/MISSION MOUNTINGS (MT)						
2-D08	3900A	ENGINE & T/MISSION MOUNTINGS (AT)						
2-E08	4000	EXHAUST SYSTEM (W/O TURBO)						
2-I08	4000 A	EXHAUST SYSTEM (TURBO)						

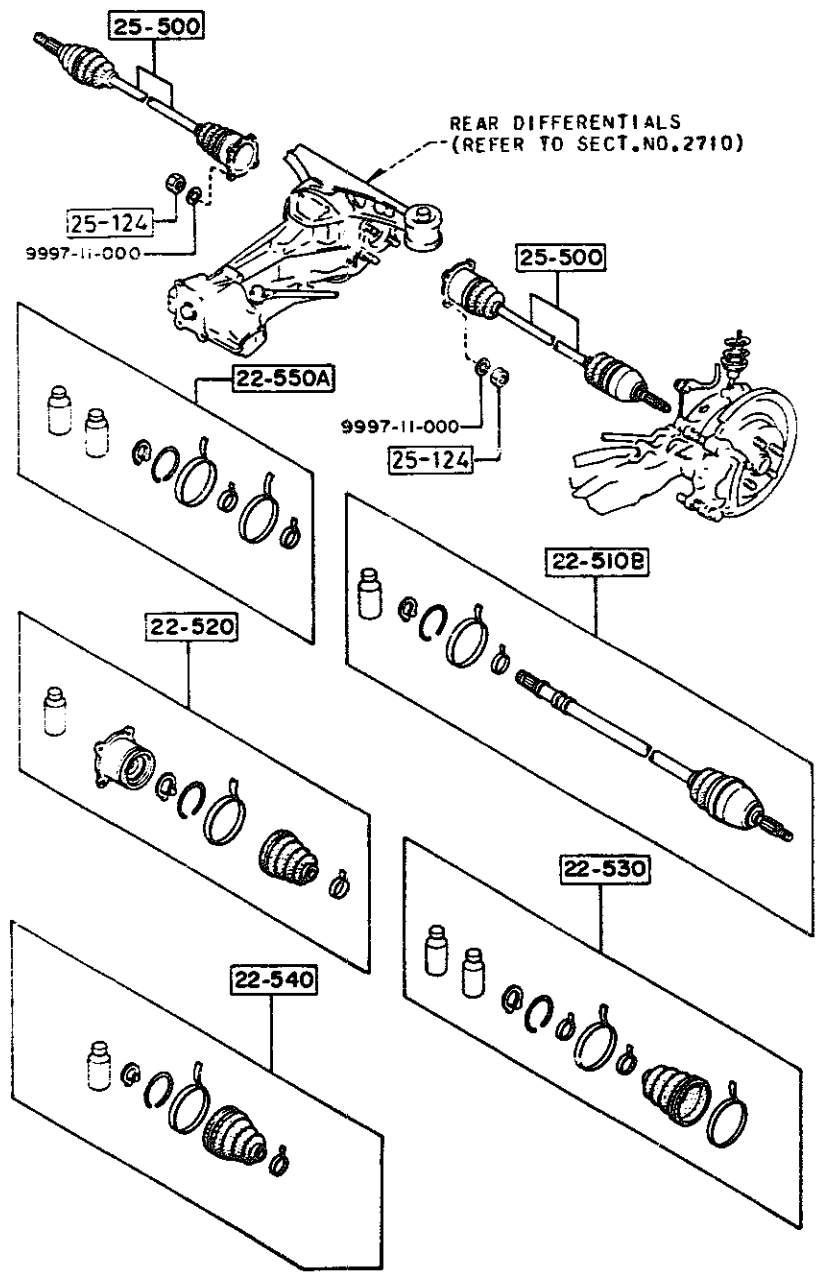
2505 REAR PROPELLER SHAFT

2505 -1 * REAR PROPELLER SHAFT



PART NO.	QTY	MODEL/RESTRICTION	MODEL/RESTRICTION	MODEL/RESTRICTION	FROM-TO
25-100A		SHAFT, PROPELLER			
M051-25-100C	1	((W/O TURBO)) (AT)			
M092-25-100	1	((W/O TURBO)) (MT)			
P039-25-100A	1	(TURBO)			
25-123		BOLT			
P012-25-123	4				
25-124		NUT			
1368-25-124	6				
25-901		WASHER, BALANCE WEIGHT			
M055-25-901	2	W=2.2G			
M055-25-902	2	W=3.4G			
M055-25-903	2	W=4.5G			
M055-25-904	2	W=5.6G			

2550 REAR DRIVE SHAFT



PART NO.	QTY	MODEL/RESTRICTION	MODEL/RESTRICTION	MODEL/RESTRICTION	FROM-TO
22-510B		JOINT SET, OUTER			
M030-22-510B	2	(W/O TURBO)			
M040-22-510C	2	(TURBO)			
22-520		JOINT SET, INNER			
M030-22-520A	2	(W/O TURBO)			
M040-22-520A	2	(TURBO)			
22-530		BOOT SET, OUTER JOINT			
M030-22-530A	2	(W/O TURBO)			
M040-22-530B	2	(TURBO)			
22-540		BOOT SET, INNER JOINT			
M030-22-540A	2	(W/O TURBO)			
M040-22-540A	2	(TURBO)			
22-550A		CLIP SET, DRIVE SHAFT			
M030-22-550A	2	(W/O TURBO)			
M040-22-550B	2	(TURBO)			
25-124		NUT			
1368-25-124	8				
25-500		SHAFT, DRIVE			
M030-25-500C	2	(W/O TURBO)			
M040-25-500E	2	(TURBO)			

AUFA02

CAT. AUFA02-06

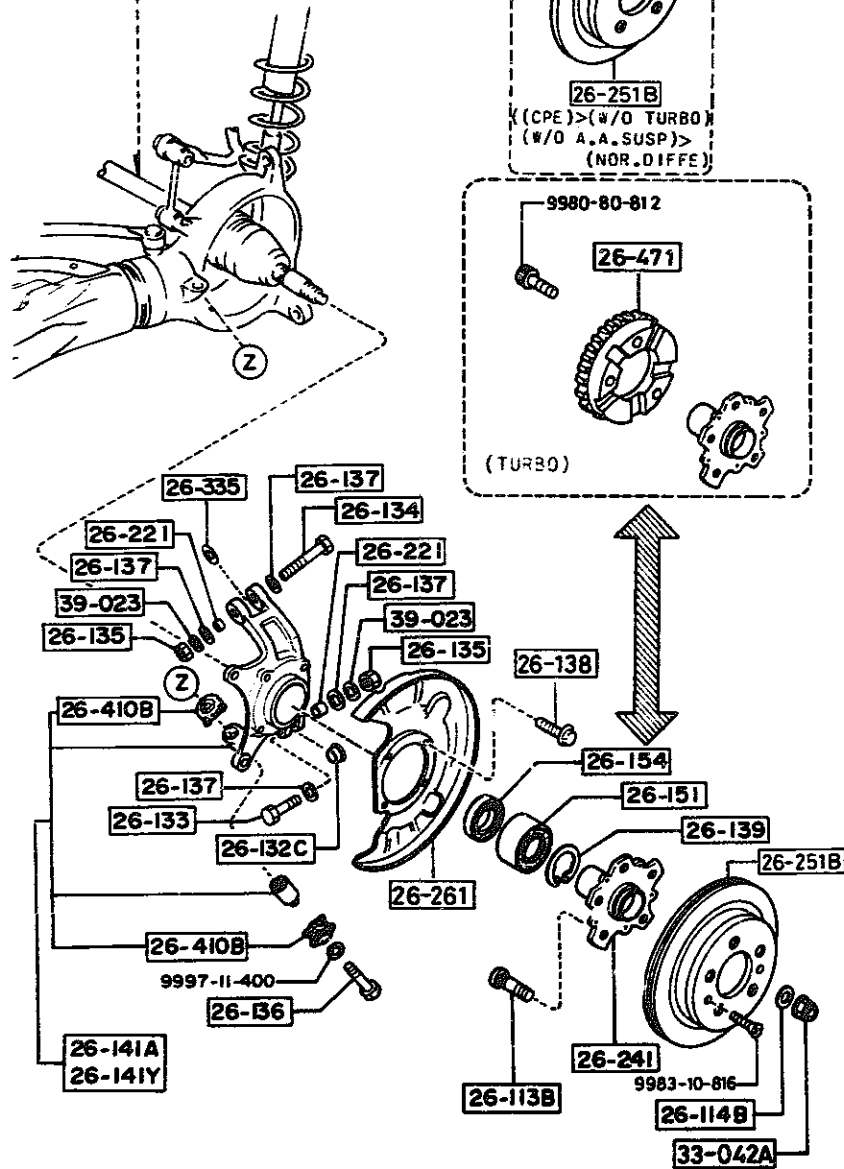
1992-05

2-D 3

2600 REAR AXLE

2600 -1 REAR AXLE

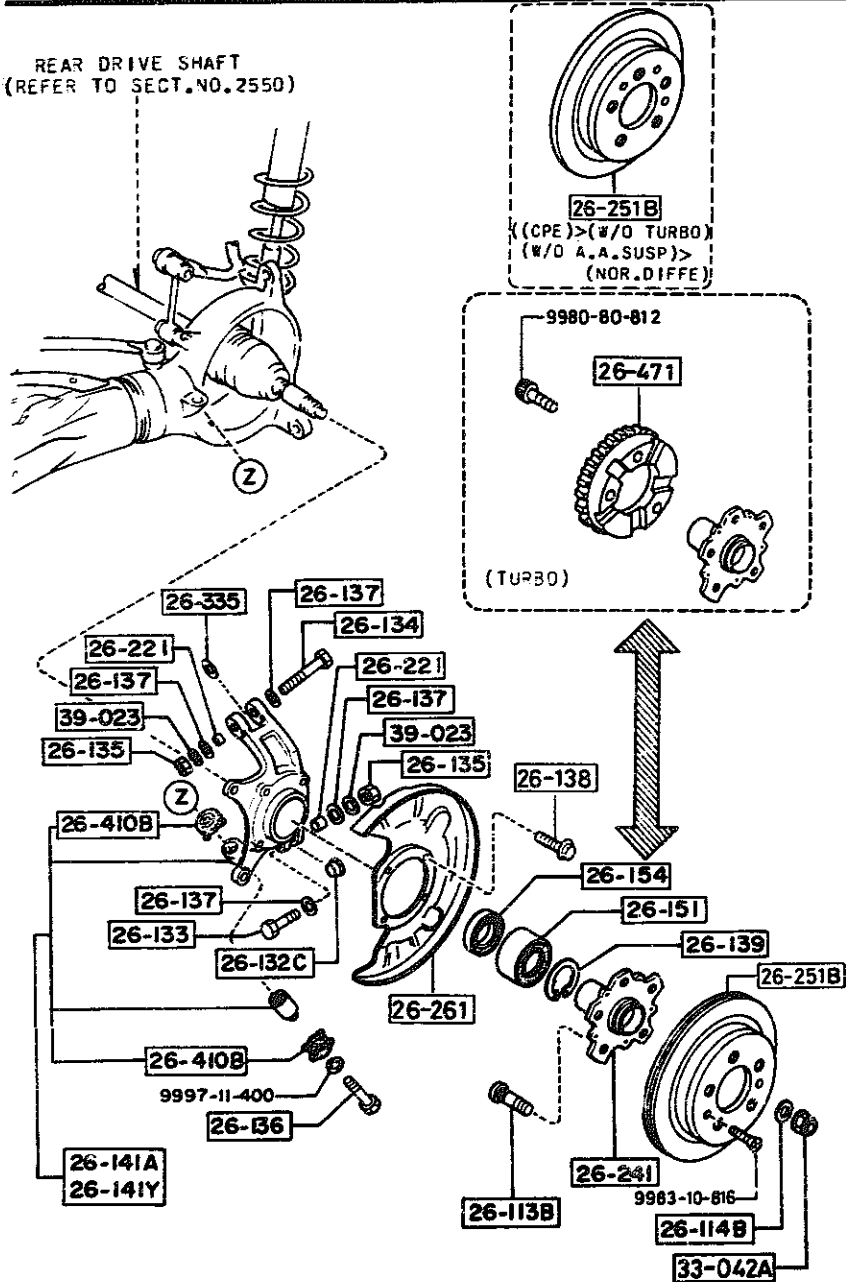
REAR DRIVE SHAFT
(REFER TO SECT.NO.2550)



PART NO.	QTY	MODEL/RESTRICTION	MODEL/RESTRICTION	MODEL/RESTRICTION	FROM TO
26-113B		BOLT,HUB			
H001-26-113	10				
26-114B		WASHER,PLAIN			
H001-26-114A	2				-9301
AN(H266-26-114)					
H266-26-114	2				9301-
26-132C		WASHER,SLEEVE-REAR BRAKE			
FB01-26-132	2				
26-133		BOLT			
FB01-26-133	2				
26-134		BOLT,LOWER ARM			
FB01-26-134	2				
26-135		NUT,LOWER ARM			
FB01-26-135	4				
26-136		BOLT,LOWER ARM			
FB01-26-136	2				
26-137		WASHER,PLAIN-LOWER ARM			
FB02-26-137	8				
26-138		BOLT,DUST COVER			
*FB01-26-138	8				
26-139		RING,RETAINING			
FB01-26-139	2				
26-141A		HUB(R),TOE CONTROL-OUTER			
FB01-49-130	1				
26-141Y		HUB(L),TOE CONTROL-OUTER			
FB01-49-140	1				
26-151		BEARING,WHEEL			
FB01-26-151A	2				
9301 FC3MNH-704194					

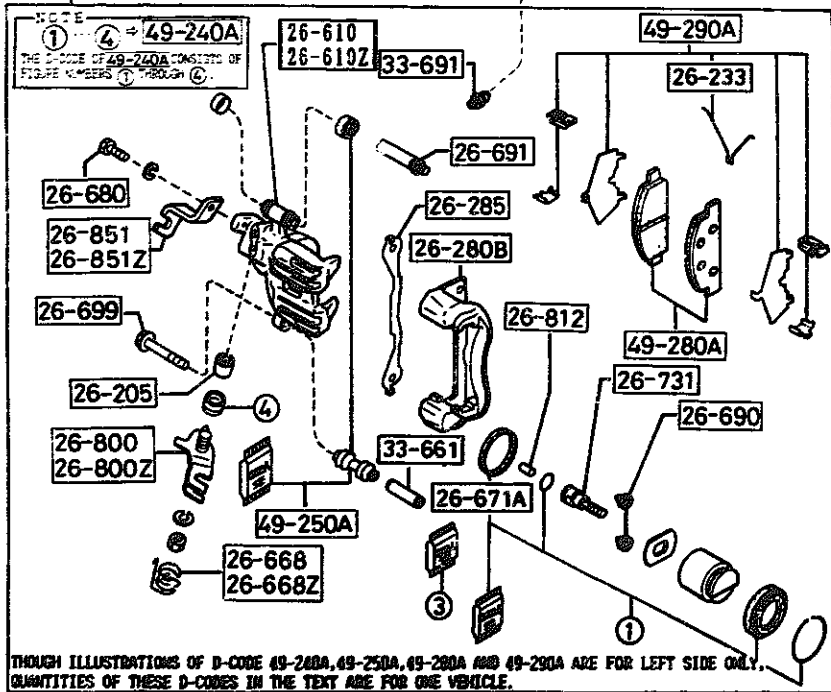
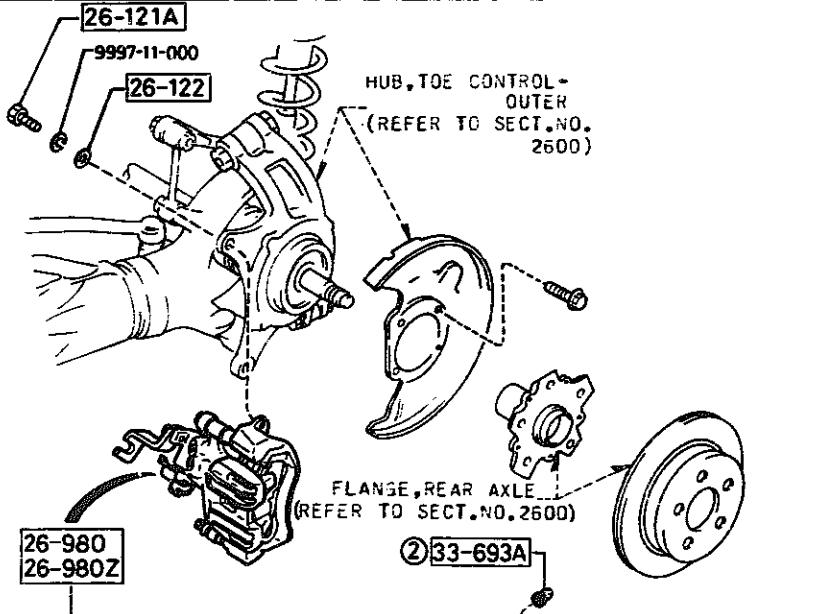
2600 REAR AXLE

REAR DRIVE SHAFT
(REFER TO SECT.NO.2550)



PART NO.	QTY	MODEL/RESTRICTION	MODEL/RESTRICTION	MODEL/RESTRICTION	FROM-TO
26-154		SEAL,OIL-REAR AXLE			
FB01-26-065A	2				
26-221		SLEEVE,LOWER ARM			
FB01-26-221A	4				
26-241		FLANGE,REAR AXLE			
FB05-26-241A	2				
26-251B		PLATE,DISC			
*FB05-26-251A	2	D=273MM/T=18MM SHOLE (CPE)>(W/O A.A.SUSP) >(NOR.DIFF)) (CONVERTIBLE)			
*FC01-26-251	2	D=261MM/T=10MM SHOLE (CPE)>(W/O A.A.SUSP) >(L.S.DIFF))			
26-261		COVER,DUST			
*FB01-26-261B	2				
26-335		STOPPER,LOWER ARM			
FB01-26-335	2				
26-410B		RUBBER,SEAT-BRG HOUS ING			
FB01-26-410C AN(FC01-26-410)	4				-9107
FC01-26-410	4				9107-
26-471		ROTOR,SENSOR-RR A.B. S. (TURBO)			
F048-26-471	2				
33-042A		NUT			
H001-26-042	2				
39-023		WASHER,SPRING-LOWER ARM			
FB01-39-023	4				
9107 FC3MM-70067					

2610 REAR BRAKE MECHANISMS



THOUGH ILLUSTRATIONS OF D-CODE 49-280A, 49-250A, 49-280A AND 49-290A ARE FOR LEFT SIDE ONLY. QUANTITIES OF THESE D-CODES IN THE TEXT ARE FOR ONE VEHICLE.

AUFA02

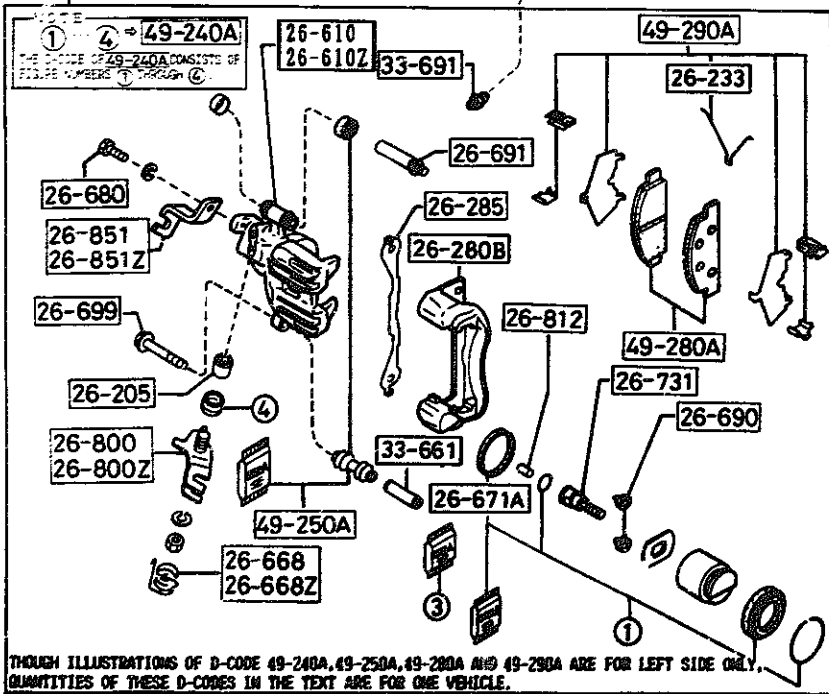
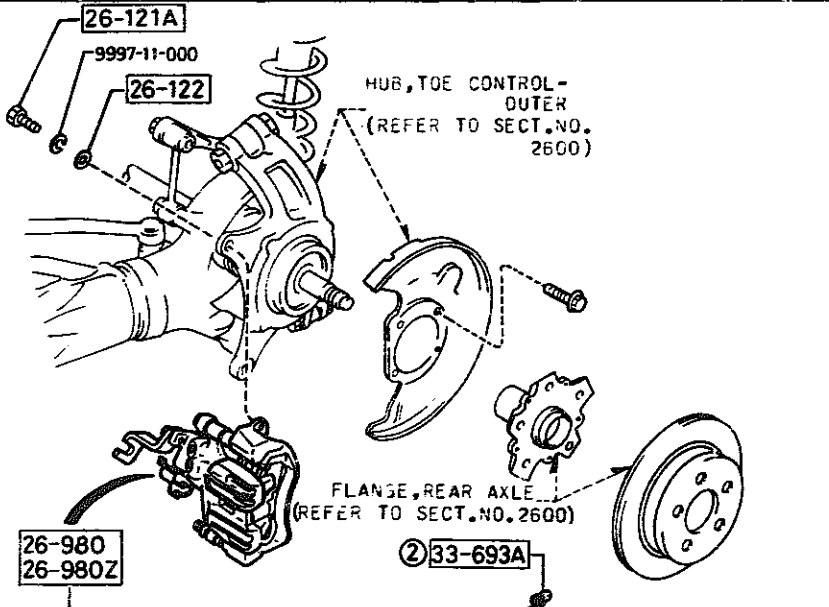
PART NO.	QTY	MODEL/RESTRICTION	MODEL/RESTRICTION	MODEL/RESTRICTION	FROM-TO
26-121A		BOLT, REAR BRAKE			
FB01-26-121A	4				
26-122		WASHER, PLAIN-REAR BRAKE			
FB01-26-122	4				
26-138		BOLT, DUST COVER			
FB01-26-138	8				
26-205		BEARING			
H001-26-205	2				
26-233		SPRING 'V', REAR BRAKE			
FB01-26-233	2	((CPE))>(NOR. DIFF)>(W/O A.A.SUSP)			
FB05-26-233	2	((CPE))>(NOR. DIFF)>(A.A.SUSP) ((CPE))>(L.S. DIFF) (CONVERTIBLE)			
26-280B		SUPPORT, MOUNTING			
FB01-26-281A	2	((CPE))>(NOR. DIFF)>(W/O A.A.SUSP)			
FB05-26-281A	2	((CPE))>(L.S. DIFF) ((CPE))>(NOR. DIFF)>(A.A.SUSP) (CONVERTIBLE)			
26-285		PLATE, GUARD-CALIPER BRAKE			
FB01-26-285A	2				
26-610		BODY & PISTON(R), CALIPER			
FB01-26-610B	1	((CPE))>(NOR. DIFF)>(W/O A.A.SUSP)			
FB05-26-610B	1	((CPE))>(L.S. DIFF) ((CPE))>(NOR. DIFF)>(A.A.SUSP) (CONVERTIBLE)			
26-610Z		BODY & PISTON(L), CALIPER			
FB01-26-710B	1	((CPE))>(NOR. DIFF)>(W/O A.A.SUSP)			
FB05-26-710B	1	((CPE))>(L.S. DIFF) ((CPE))>(NOR. DIFF)>(A.A.SUSP) (CONVERTIBLE)			

CAT. AUFA02-06

1992-05

2610 REAR BRAKE MECHANISMS

2610 -2 REAR BRAKE MECHANISMS



THOUGH ILLUSTRATIONS OF D-CODE 49-240A, 49-250A, 49-280A AND 49-290A ARE FOR LEFT SIDE ONLY, QUANTITIES OF THESE D-CODES IN THE TEXT ARE FOR ONE VEHICLE.

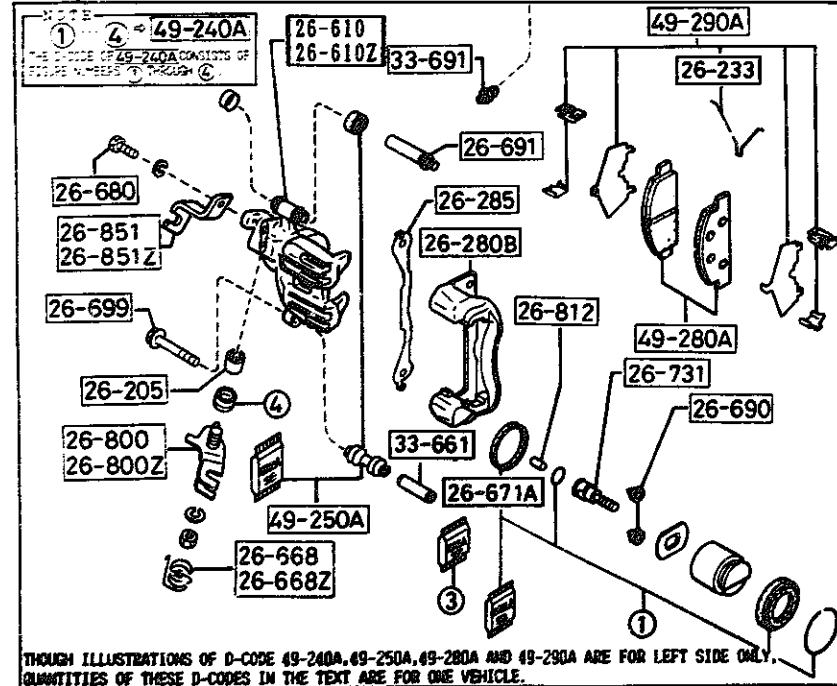
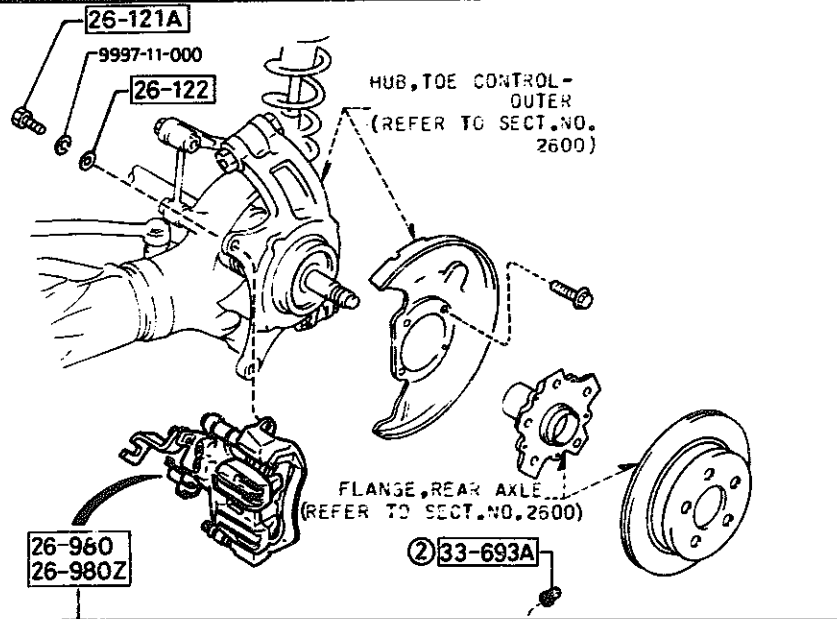
PART NO.	QTY	MODEL/RESTRICTION	MODEL/RESTRICTION	MODEL/RESTRICTION	FROM-TO
26-668		SPRING(R), LEVER			
FB01-26-668	1				
26-668Z		SPRING(L), LEVER			
FB01-26-669	1				
26-671A		SEAL, PISTON			
1243-26-671	2				
26-680		BOLT			
FA18-26-680	2				
26-690		STOPPER, CALIPER-RR			
FB01-26-694	2				
26-691		PIN, GUIDE			
FA66-26-695	2				
26-699		PIN, LOCK			
FA66-26-998	2				
26-731		SPINDLE, ADJUSTER			
H001-26-731A	2				
26-800		LEVER(R), OPERATING			
FB01-26-800A	1				
26-800Z		LEVER(L), OPERATING			
FB01-26-810A	1				
26-812		LINK, CONNECTING			
H001-26-812	2				
26-851		BRACKET(R), CABLE			
FB01-26-851	1				
26-851Z		BRACKET(L), CABLE			
FB01-26-861	1				
26-980		CALIPER(R), RR BRAKE			
FB01-26-980F		ASBESTOS			

AUFA02

CAT. AUFA02-06

1992-05

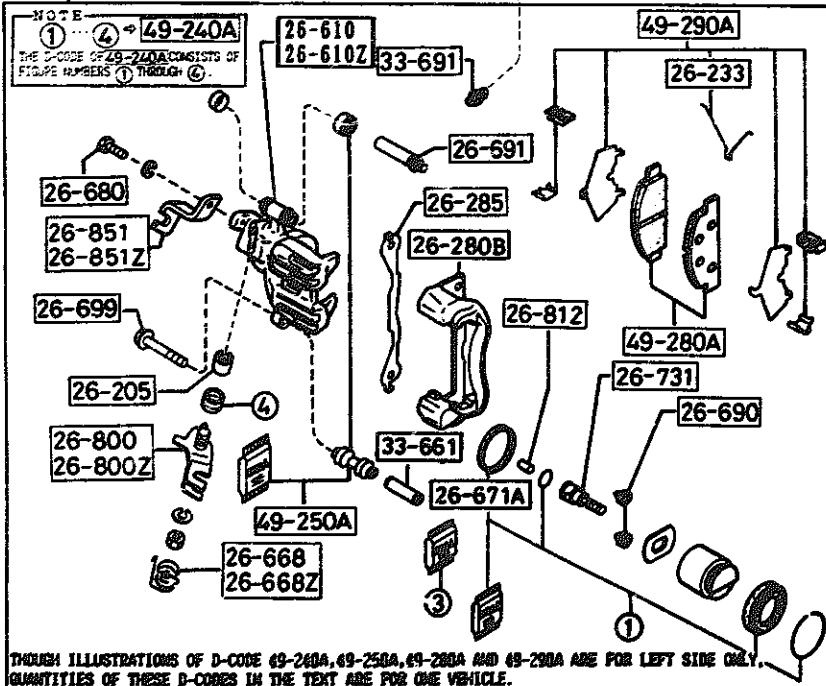
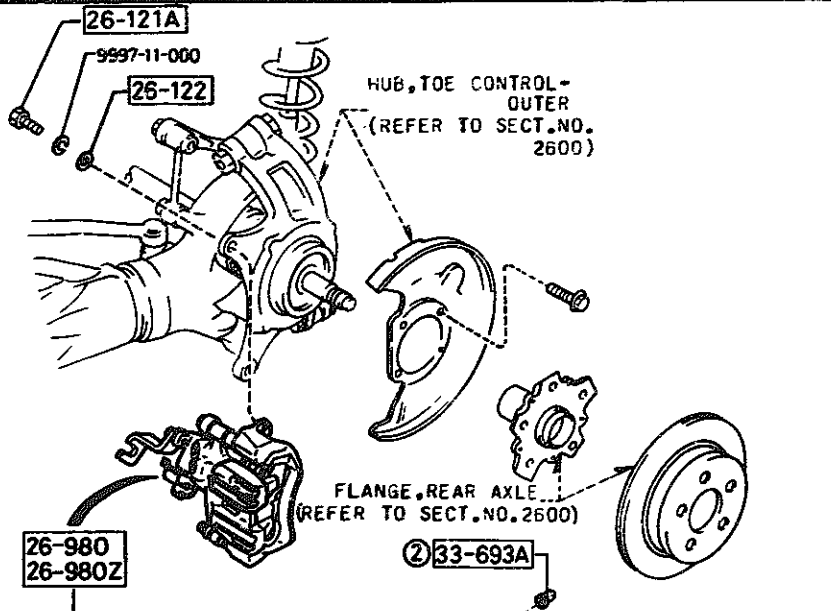
2610 REAR BRAKE MECHANISMS



THOUGH ILLUSTRATIONS OF D-CODE 49-240A, 49-250A, 49-280A AND 49-290A ARE FOR LEFT SIDE ONLY. QUANTITIES OF THESE D-CODES IN THE TEXT ARE FOR ONE VEHICLE.

PART NO.	QTY	MODEL/RESTRICTION	MODEL/RESTRICTION	MODEL/RESTRICTION	FROM-TO
CONT'D	1	((CPE))>(W/O A.A.SUSP)>>(NOR.DIFF))			
FB05-26-980F	1	ASBESTOS ((CPE))>(W/O A.A.SUSP)>>(L.S.DIFF)) ((CPE))>(A.A.SUSP) (CONVERTIBLE)			
26-980Z		CALIPER(L),RR BRAKE			
FB01-26-990F	1	ASBESTOS ((CPE))>(W/O A.A.SUSP)>>(NOR.DIFF))			
FB05-26-990F	1	ASBESTOS ((CPE))>(W/O A.A.SUSP)>>(L.S.DIFF)) ((CPE))>(A.A.SUSP) (CONVERTIBLE)			
33-661		SLEEVE,MAIN-FRT CALIPER			
G030-33-661	2				
33-691		SCREW,BLEEDER			
B107-33-691	4				
33-693A		CAP,BLEEDER SCREW			
0259-33-693	4				
49-240A		SEAL KIT,CALIPER-RR			
FB02-49-240	1				
49-250A		BOOT KIT,RR CALIPER			
FA67-26-45Z	1				
49-280A		PAD SUB SET,RR CALIPER ASBESTOS			
FB06-49-280 C (FB06-49-280A)	1				-9701
FB06-49-280A	1	ASBESTOS			9701-
49-290A		ATTACHMENT,PAD-REAR			
FB02-49-290A A (FB02-49-290B)	1				-9701
FB06-49-290A A (FB06-49-290B)	1				-9701
FB02-49-290B	1	((CPE))>(W/O A.A.SUSP)>>(NOR.DIFF))			9701-
FB06-49-280 C FB06-49-280A FB02-49-290A		9701 FC3NN-709151			

2610 REAR BRAKE MECHANISMS



THOUGH ILLUSTRATIONS OF D-CODE 49-240A, 49-250A, 49-280A AND 49-290A ARE FOR LEFT SIDE ONLY.
QUANTITIES OF THESE D-CODES IN THE TEXT ARE FOR ONE VEHICLE.

AUFA02

PART NO.	QTY	MODEL/RESTRICTION	MODEL/RESTRICTION	MODEL/RESTRICTION	FROM-TO
CONT'D FB06-49-290B	1	((CPE))>(W/D A.A.SUSP >>(L.S.DIFF)) ((CPE))>(A.A.SUSP)) (CONVERTIBLE)			9701-
9701 FC3MMX-709151					

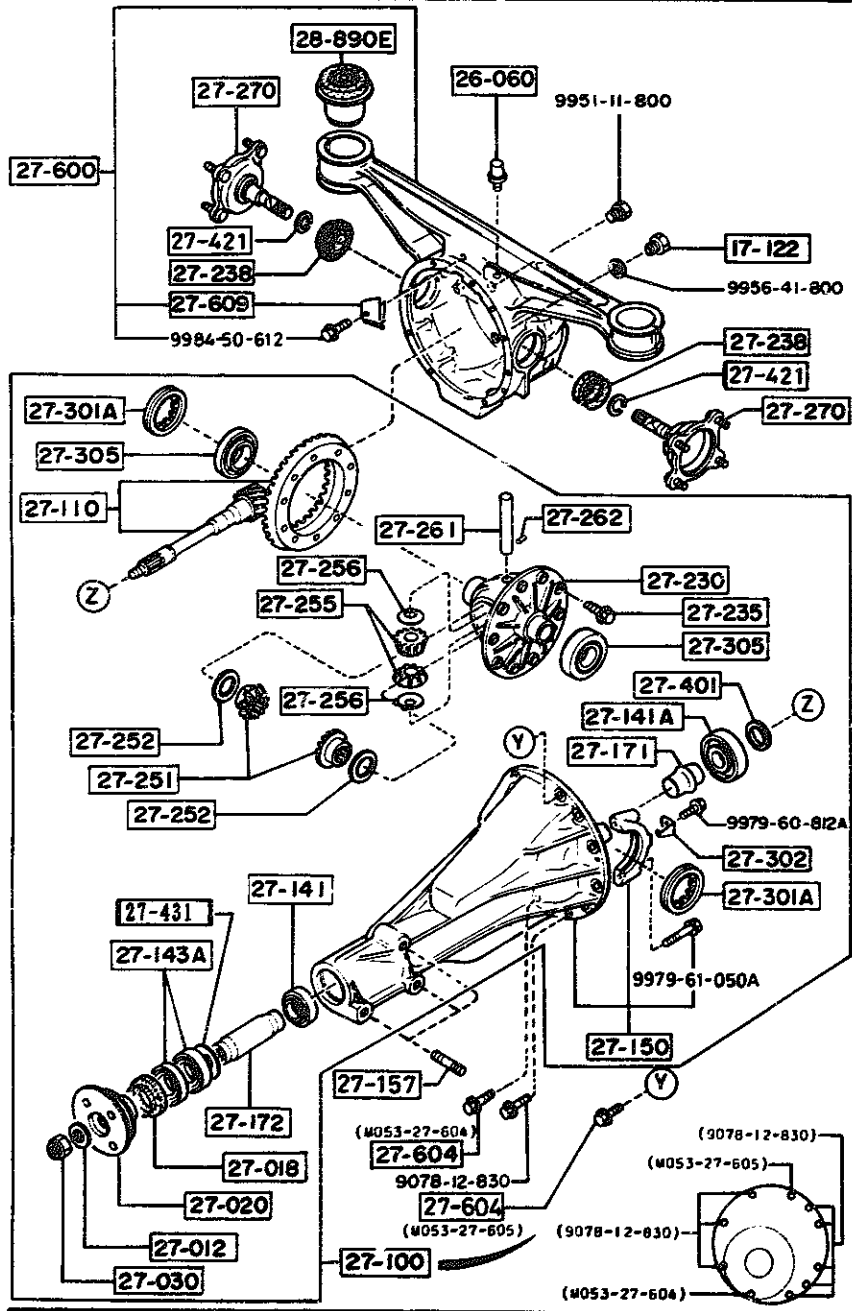
CAT. AUFA02-06

1992-05

2-J 3

2710 REAR DIFFERENTIALS
(NORMAL DIFF.)

2710 -1 REAR DIFFERENTIALS
(NORMAL DIFF.)



PART NO.	QTY	MODEL/RESTRICTION	MODEL/RESTRICTION	MODEL/RESTRICTION	FROM-TO
17-122		PLUG, MAGNET			
0810-17-121	1				
26-060		BREATHER			
0730-26-060	1				
27-012		WASHER			
0223-27-012	1				
27-018		SEAL, OIL			
M055-27-165	1				
27-020		FLANGE, COMPANION			
M055-27-120E	1				
27-030		NUT, LOCK			
0223-27-030	1				
27-100		DRIVING & DIFF.			
M055-27-100D A (M055-27-100E)	1				-9712
M067-27-100D A (M067-27-100E)	1				-9712
M055-27-100E	1	((CPE))((MT)) (CONVERTIBLE)			9712-
M067-27-100E	1	((CPE))((AT))			9712-
27-110		GEAR SET, FINAL			
M055-27-110A	1	((CPE))((MT)) (CONVERTIBLE)			
M067-27-110A	1	((CPE))((AT))			
27-141		BEARING, PINION			
0755-27-210	1				
27-141A		BEARING, PINION			
M025-27-210	1				
27-143A		BEARING, BALL-DRIVE P INION			
M055-27-143	2				
9712 FC3NKK-709633					

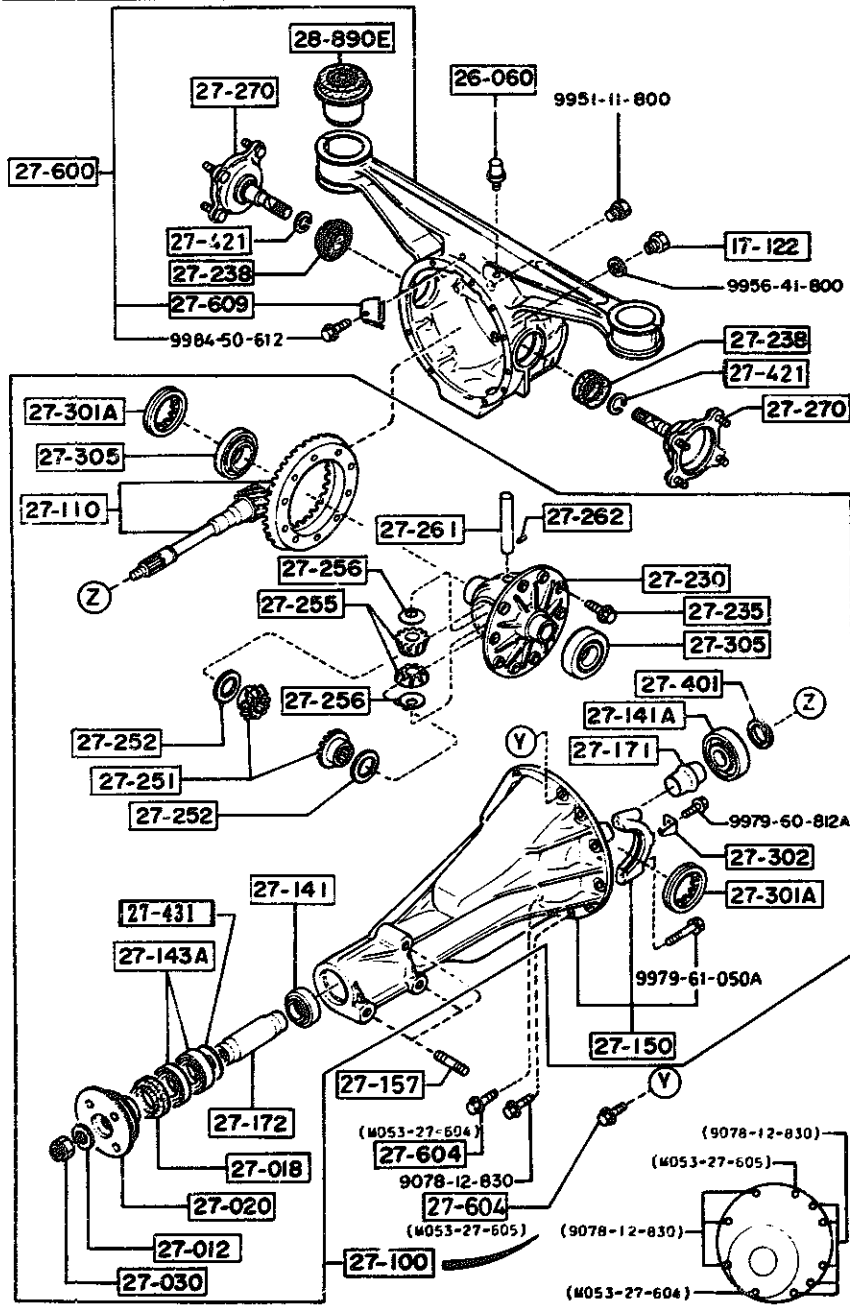
AUFA02

CAT. AUFA02-06

1992-05

2-K 3

2710

REAR DIFFERENTIALS
(NORMAL DIFF.)

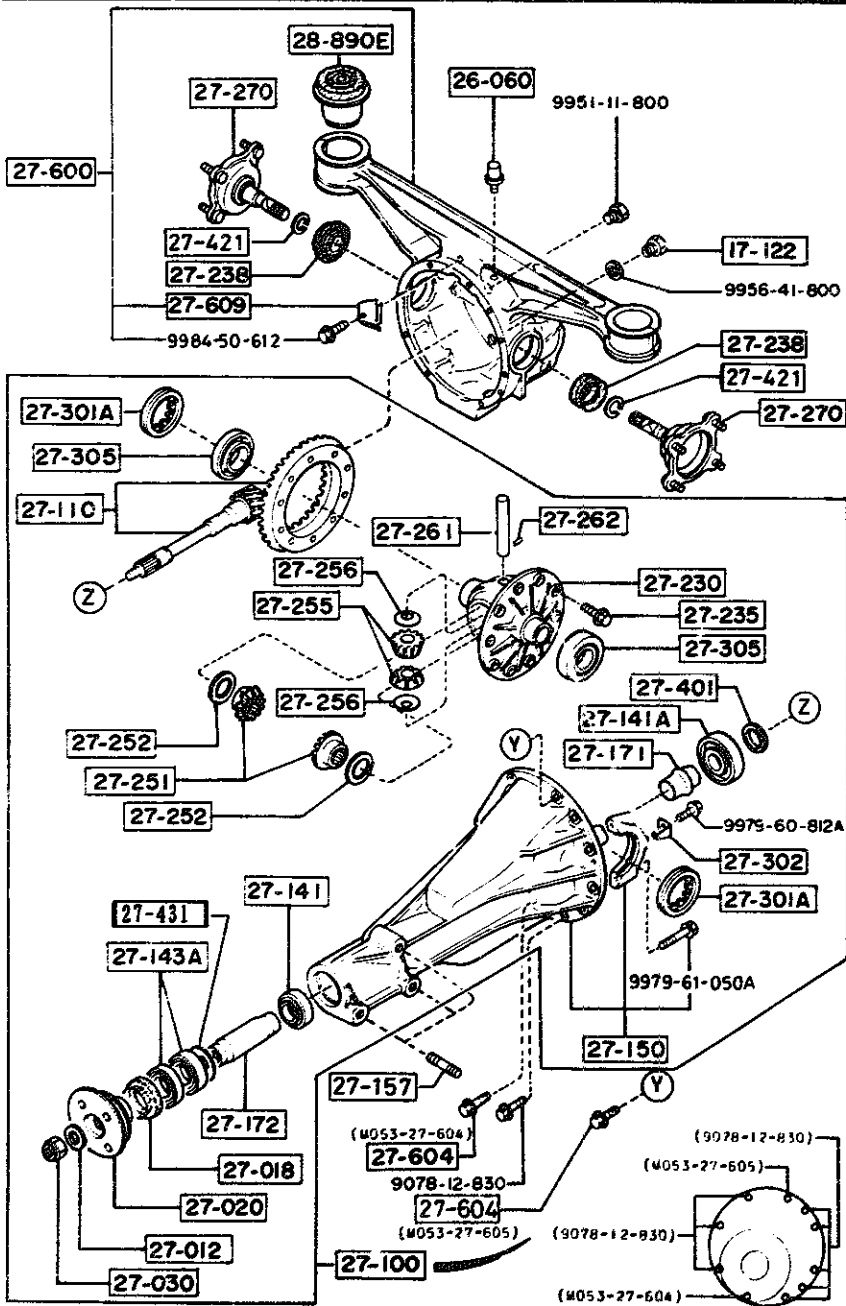
AUFA02

2710 -2 REAR DIFFERENTIALS
(NORMAL DIFF.)

PART NO.	QTY	MODEL/RESTRICTION	MODEL/RESTRICTION	MODEL/RESTRICTION	FROM TO
27-150		CARRIER, DIFFERENTIAL			
M055-27-150B	1				
27-157		STUD, DIFF. CARRIER			
P090-27-157	3				
27-171		PIECE, DISTANCE			
M035-27-171	1				
27-172		COLLAR, LONG-DRIVING & DEFF.			
M055-27-172A A (M055-27-172B)	1				-9712
M055-27-172B	1				9712-
27-230		CASE			
M069-27-231	1				
27-235		BOLT, RING GEAR			
8051-27-235	10	D=10MM			
8051-27-236	10	D=10.2MM			
27-238		SEAL, OIL			
M0A2-27-238	2				-0301
M0A1-27-238	2				0301-
27-251		GEAR, DIFF. SIDE			
M069-27-251	2				
27-252		WASHER			
0290-27-252	2	T=2MM			
0290-27-253	2	T=2.1MM			
0290-27-254	2	T=2.2MM			
0290-27-256	2	T=2.05MM			
0290-27-259	2	T=2.15MM			
9712 FCS***-709633					
0301 FCS***-806487					

CAT. AUFA02-06

1992-05



PART NO.	QTY	MODEL/RESTRICTION	MODEL/RESTRICTION	MODEL/RESTRICTION	FROM TO
CONT'D					
0223-27-408A	1	T=3.29MM			
0223-27-409A	1	T=3.32MM			
0223-27-411A	1	T=3.35MM			
0223-27-412A	1	T=3.38MM			
0223-27-413A	1	T=3.41MM			
0223-27-414A	1	T=3.44MM			
0223-27-415A	1	T=3.47MM			
27-421		CLIP			
M005-27-421	2				
27-431		SPACER			
P044-27-431A	1				9712-
27-600		CASING, DIFFERENTIAL			
M0A1-27-600	1				
27-604		BOLT, CARRIER			
M053-27-604	1				
M053-27-605	1				
27-609		PLATE, BAFFLE-DIFF CASING			
M0A1-27-609 A (M0A1-27-609A)	1				-9320
P0A1-27-609A	1				9320-
28-890E		RUBBER, MOUNT.-DIFF CASING			
FB01-28-890C	2				
9320 FC3MM-704987					
9712 FC3MM-709633					

GTU.
(URE)
(CPE)
GTUS.
(LEA)

(F800-32)
32-74

TURBO.
(LEA)
(CPE)

32-7

SECTION NAME INDEX (CRASSIS)

LO.NO	SEC.NO	SECTION NAME	LO.NO	SEC.NO	SECTION NAME	LO.NO	SEC.NO	SECTION NAME
2-C03	2505	REAR PROPELLER SHAFT	2-M08	4140	CLUTCH RELEASE & MASTER CYLINDERS (MANUAL TRANSMISSION)			
2-D03	2550	REAR DRIVE SHAFT	2-C09	4145	CLUTCH PIPINGS (MANUAL TRANSMISSION)			
2-E03	2600	REAR AXLE	2-D09	4160	ACCELERATOR CONTROL SYSTEM			
2-G03	2610	REAR BRAKE MECHANISMS	2-E09	4200	FUEL TANK			
2-K03	2710	REAR DIFFERENTIALS (NORMAL DIFF.)	2-H09	4300	CLUTCH & BRAKE PEDALS (MANUAL TRANSMISSION)			
2-C04	2710 A	REAR DIFFERENTIALS (LIMITED SLIP DIFF.)	2-K09	4300A	BRAKE PEDALS (AUTOMATIC TRANSMISSION)			
2-H04	2800	REAR SUSPENSION MECHANISMS	2-M09	4340	BRAKE MASTER CYLINDER & POWER BRAKE (W/O TURBO)			
2-J04	2801	REAR SPRING & DAMPER	2-C10	4340 A	BRAKE MASTER CYLINDER & POWER BRAKE (TURBO)			
2-K04	2810	REAR STABILIZER	2-H11	4360	BRAKE PIPINGS (W/O TURBO)			
2-L04	2830	REAR LOWER ARMS & SUB FRAME	2-G11	4360 A	BRAKE PIPINGS (TURBO)			
2-N04	3200	STEERING WHEEL (W/O AIR BAG)	2-J10	4370	ANTILOCK BRAKE SYSTEM (TURBO)			
2-E05	3200 A	STEERING WHEEL (W/ AIR BAG)	2-N10	4400	PARKING BRAKE SYSTEM			
2-G05	3210	STEERING COLUMN & SHAFTS	2-D11	4500	FUEL PIPINGS			
2-I05	3220 A	STEERING GEAR (W/ POWER STEERING: ENGINE REVOLUTION PER MINUTE SENSOR) (GTU, '90-GXL, '90-CONV-W/O AIR BAG)	2-H11	4600	CHANGE CONTROL SYSTEM (AT)			
2-L05	3220 B	STEERING GEAR (W/ POWER STEERING: VELOCITY SENSOR) (GTUS, '90-GXL, TURBO, '89-CONV, '90-CONV-W/AIR BAG)						
2-C06	3240	POWER STEERING SYSTEM						
2-F06	3300	FRONT AXLE						
2-H06	3310	FRONT BRAKE MECHANISMS						
2-K06	3400	FRONT SUSPENSION MECHANISMS						
2-M06	3401	FRONT SPRING & DAMPER						
2-N06	3410	CROSSMEMBER & STABILIZER						
2-C07	3700	TIRES & JACK						
2-C08	3900	ENGINE & T/MISSION MOUNTINGS (MT)						
2-D08	3900A	ENGINE & T/MISSION MOUNTINGS (AT)						
2-E08	4000	EXHAUST SYSTEM (W/O TURBO)						
2-I08	4000 A	EXHAUST SYSTEM (TURBO)						

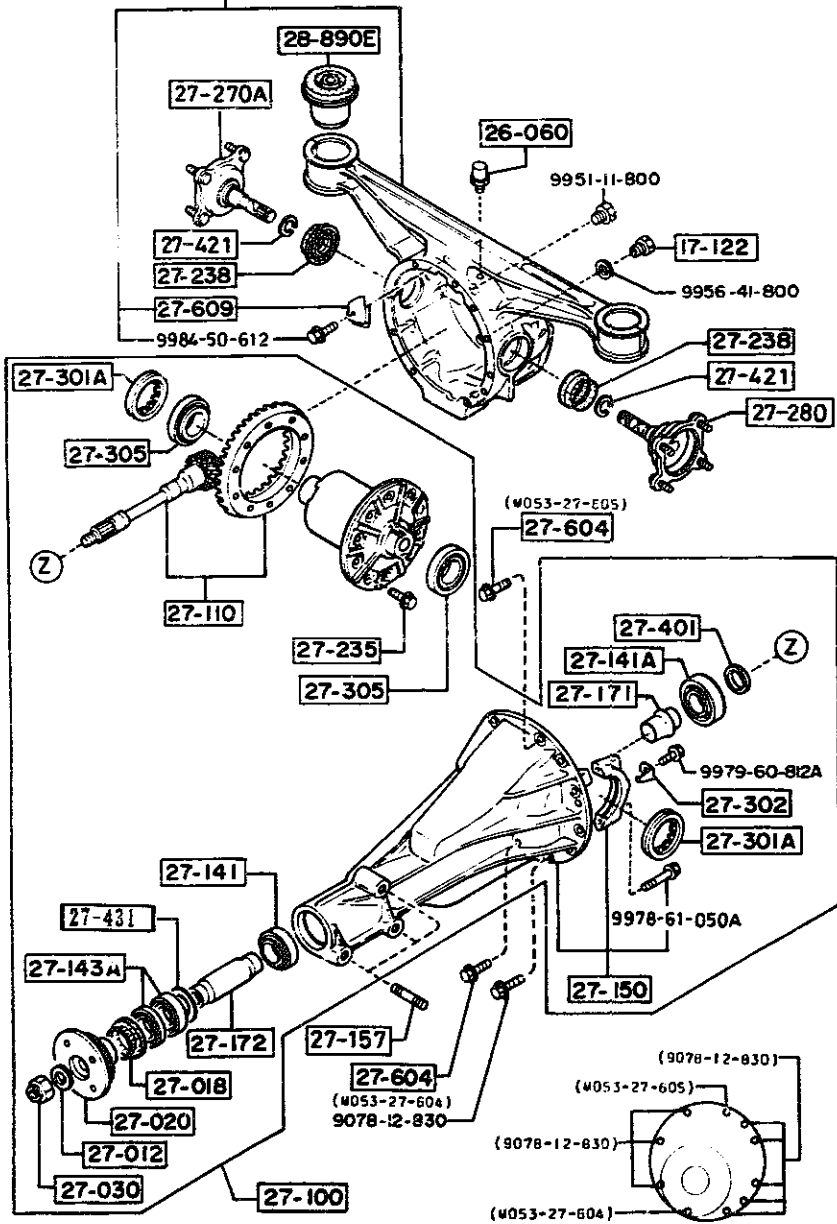
2710 A REAR DIFFERENTIALS
(LIMITED SLIP DIFF.)

(1/2)

(THIS ILLUSTRATION CONSISTS OF 2 PAGES)

(W/O TURBO)

27-600

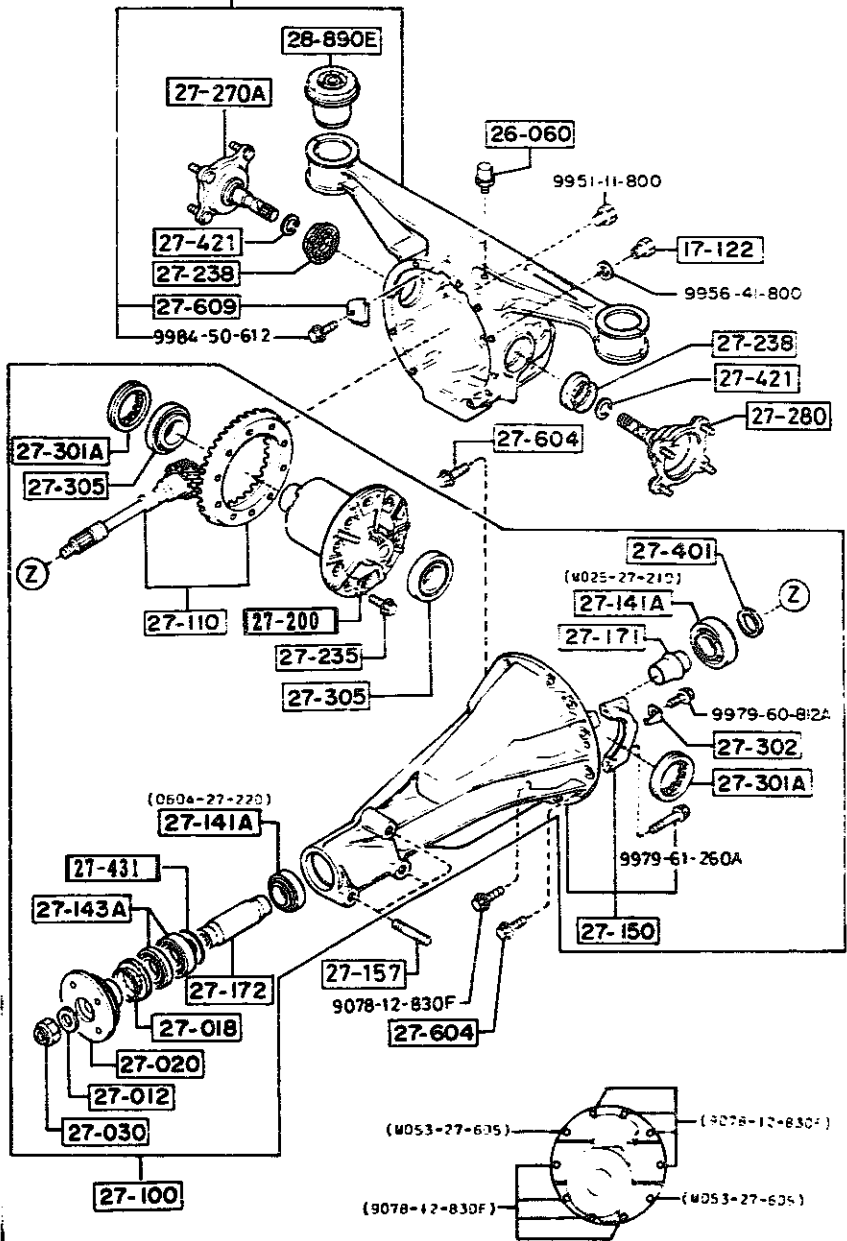


2710 A REAR DIFFERENTIALS
(LIMITED SLIP DIFF.)

(2/2)

(TURBO)

27-600

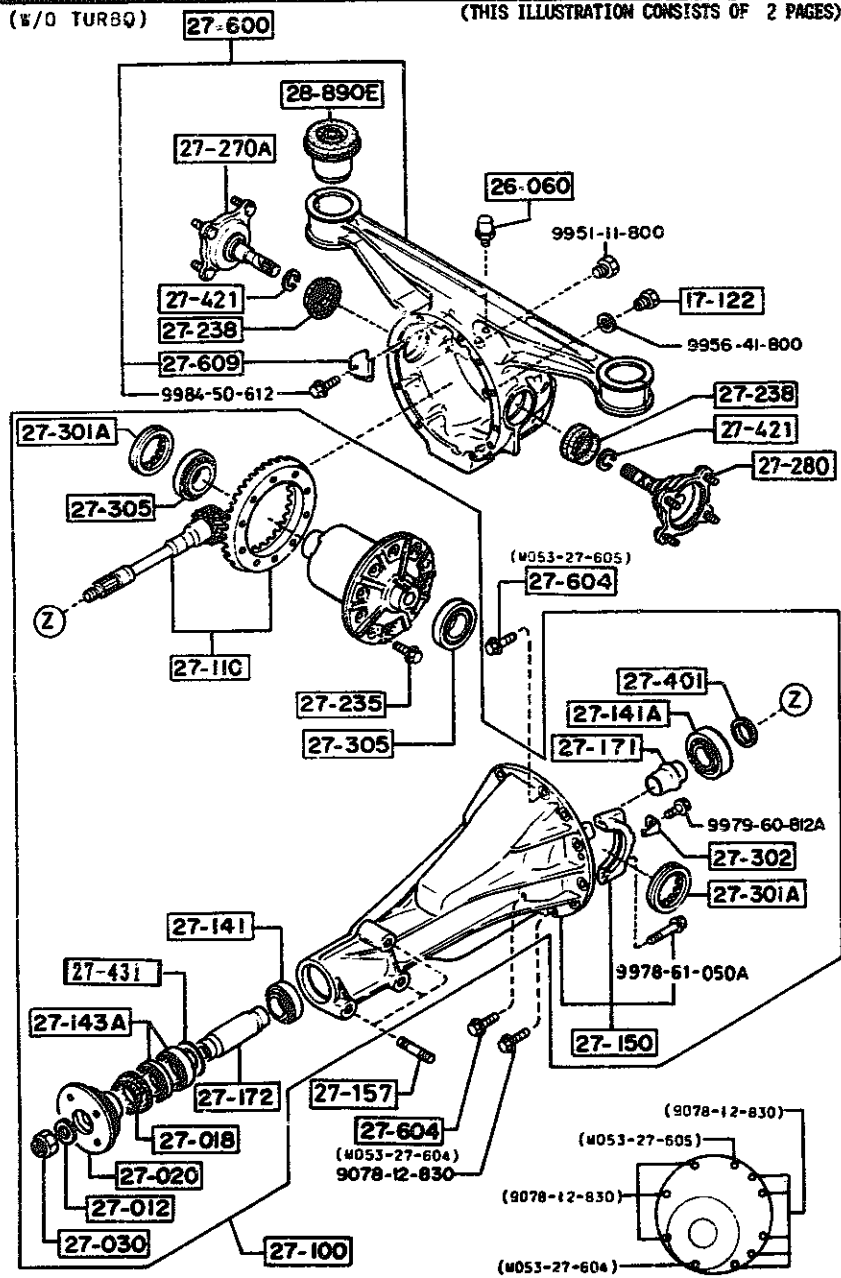


2710 A REAR DIFFERENTIALS
(LIMITED SLIP DIFF.)

(1/2)

(W/O TURBO)

(THIS ILLUSTRATION CONSISTS OF 2 PAGES)



2710 A-1 REAR DIFFERENTIALS
(LIMITED SLIP DIFF.)

PART NO.	QTY	MODEL/RESTRICTION	MODEL/RESTRICTION	MODEL/RESTRICTION	FROM-TO
17-122		PLUG, MAGNET			
0810-17-121	1				
26-060		BREATHER			
0730-26-060	1				
27-012		WASHER			
0223-27-012	1				
27-018		SEAL, OIL			
M055-27-165	1	(W/O TURBO)			
P016-27-165A AN(P090-27-165)	1				-9712
P090-27-165	1	(TURBO)			9712-
27-020		FLANGE, COMPANION			
M055-27-120E	1	(W/O TURBO)			
P016-27-120F	1	(TURBO)			
27-030		NUT, LOCK			
0223-27-030	1				
27-100		DRIVING & DIFF.			
M083-27-100A A (M083-27-100B)	1				-9712
P094-27-100A A (P094-27-100B)	1				-9712
M083-27-100B	1	(W/O TURBO)			9712-
P094-27-100B	1	(TURBO)			9712-
27-110		GEAR SET, FINAL			
M066-27-110A	1	(W/O TURBO)			
P012-27-110A	1	(TURBO)			
27-141		BEARING, PINION			
0755-27-210	1	(W/O TURBO)			
27-141A		BEARING, PINION			
M025-27-210	1				
0604-27-220	1	(TURBO)			
9712 FC3MNR-709633					

AUFA02

(CONT'D)

CAT. AUFA02-06

1992-05

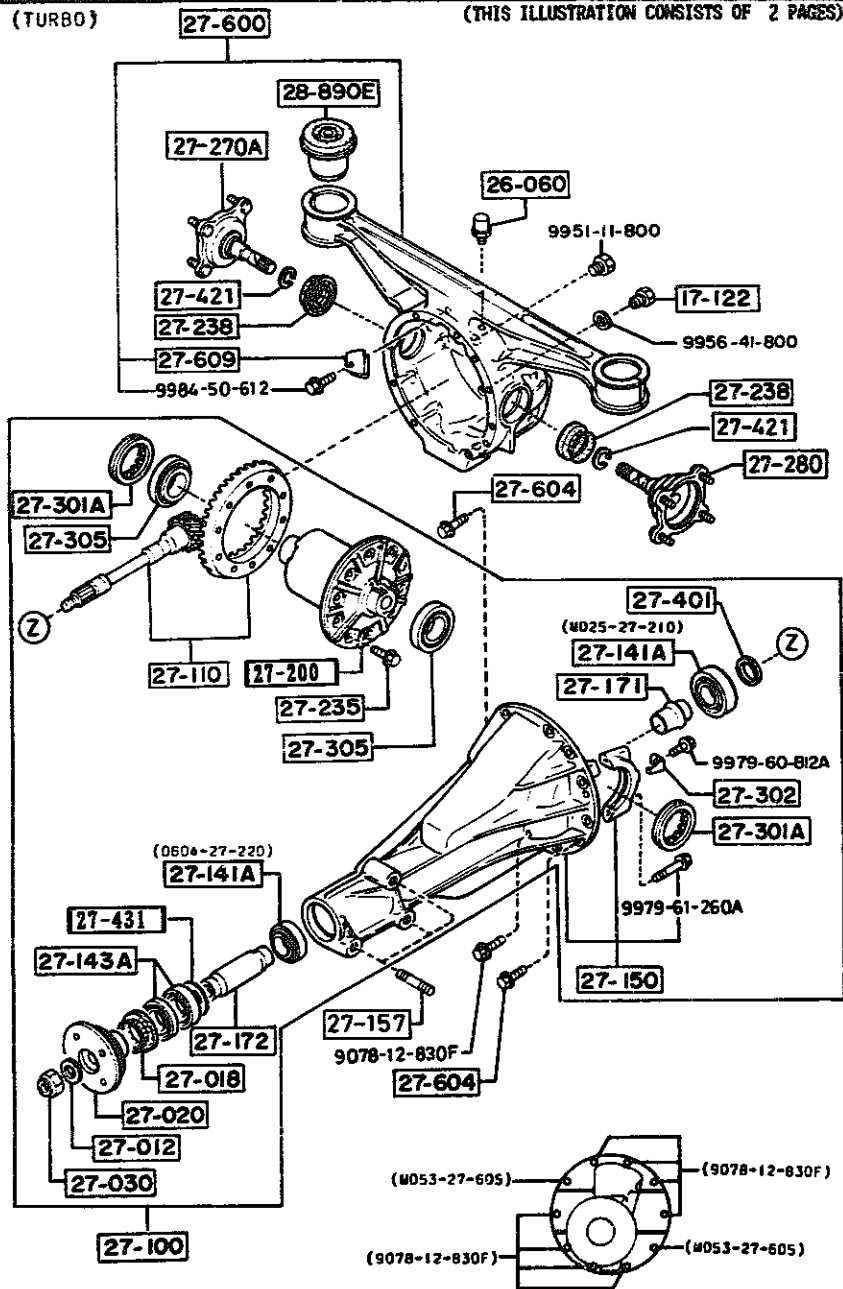
2-D 4

2710 A REAR DIFFERENTIALS
(LIMITED SLIP DIFF.)

(2/2)

(TURBO)

(THIS ILLUSTRATION CONSISTS OF 2 PAGES)



2710 A-2 REAR DIFFERENTIALS
(LIMITED SLIP DIFF.)

PART NO.	QTY	MODEL/RESTRICTION	MODEL/RESTRICTION	MODEL/RESTRICTION	FROM-TO
27-143A		BEARING, BALL-DRIVE P INION (W/O TURBO)			
M055-27-143	2				
P016-27-143	2	(TURBO)			
27-150		CARRIER, DIFFERENTIAL			
M055-27-150B	1	(W/O TURBO)			
P016-27-150A	1	(TURBO)			
27-157		STUD, DIFF. CARRIER			
P090-27-157	3				
27-171		PIECE, DISTANCE			
M035-27-171	1	(W/O TURBO)			
0305-27-171	1	(TURBO)			
27-172		COLLAR, LONG-DRIVING DEFF.			
M055-27-172A A (M055-27-172B)	1				-9712
P016-27-172A A (P016-27-172B)	1				-9712
M055-27-172B	1	(W/O TURBO)			9712-
P016-27-172B	1	(TURBO)			9712-
27-200		DIFFERENTIAL			
P094-27-200A	1	(TURBO)			
27-235		BOLT, RING GEAR			
8051-27-235	10	D=10MM			
8051-27-236	10	D=10.2MM			
27-238		SEAL, OIL			
P016-27-238	2	(TURBO)			-0301
M0A2-27-238	2	(W/O TURBO)			0301-
M0A1-27-238	2	(W/O TURBO)			
27-270A		SHAFT, OUT PUT			
M0B1-27-270A A (M0B1-27-270B)	1				-0501
P094-27-270	1				-0501
9712 FC3***-709633					
0301 FC3***-805487					
0501 FC3***-806642					

1992-05

AUFA02

CAT. AUFA02-06

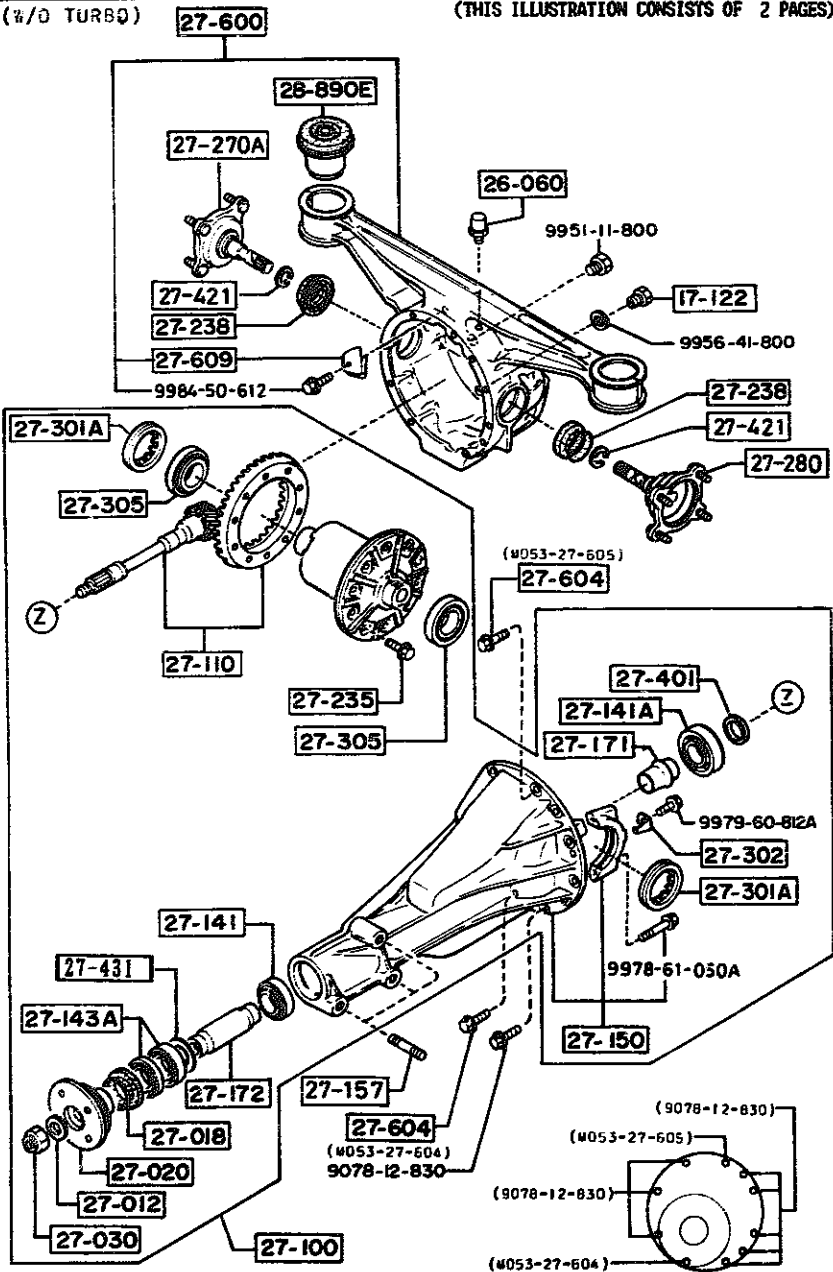
1992-05

2710 A REAR DIFFERENTIALS
(LIMITED SLIP DIFF.)

(1/2)

(W/O TURBO)

(THIS ILLUSTRATION CONSISTS OF 2 PAGES)



2710 A-3 REAR DIFFERENTIALS
(LIMITED SLIP DIFF.)

PART NO.	QTY	MODEL/RESTRICTION	MODEL/RESTRICTION	MODEL/RESTRICTION	FPMH-TD
CONT'D A (P094-27-270A)					
M0B1-27-270B	1	(W/O TURBO)			0501-
P094-27-270A	1	(TURBO)			0501-
27-280		SHAFT(L), OUTPUT			
M0B1-27-280A A (M0B1-27-280B)	1				-0501
P094-27-280 A (P094-27-280A)	1				-0501
M0B1-27-280B	1	(W/O TURBO)			0501-
P094-27-280A	1	(TURBO)			0501-
27-301A		SCREW, ADJUST			
0110-27-301	2	(TURBO)			
0290-27-301	2	(W/O TURBO)			
27-302		PLATE, LOCK			
0290-27-302	2	(W/O TURBO)			
0578-27-302	2	(TURBO)			
27-305		BEARING			
0221-27-350	2	(W/O TURBO)			
G118-27-350 A (G118-27-350A)	2				-9C01
0118-27-350A	2	(TURBO)			9C01-
27-401		SPACER			
0223-27-401A	1	T=3.08MM			
0223-27-402A	1	T=3.11MM			
0223-27-403A	1	T=3.14MM			
0223-27-404A	1	T=3.17MM			
0223-27-405A	1	T=3.2MM			
0223-27-406A	1	T=3.23MM			
0223-27-407A	1	T=3.26MM			
0223-27-408A	1	T=3.29MM			
9C01 FC3MM-804800 0501 FC3MM-806642					

3200 /

32-

3

9994-00-5

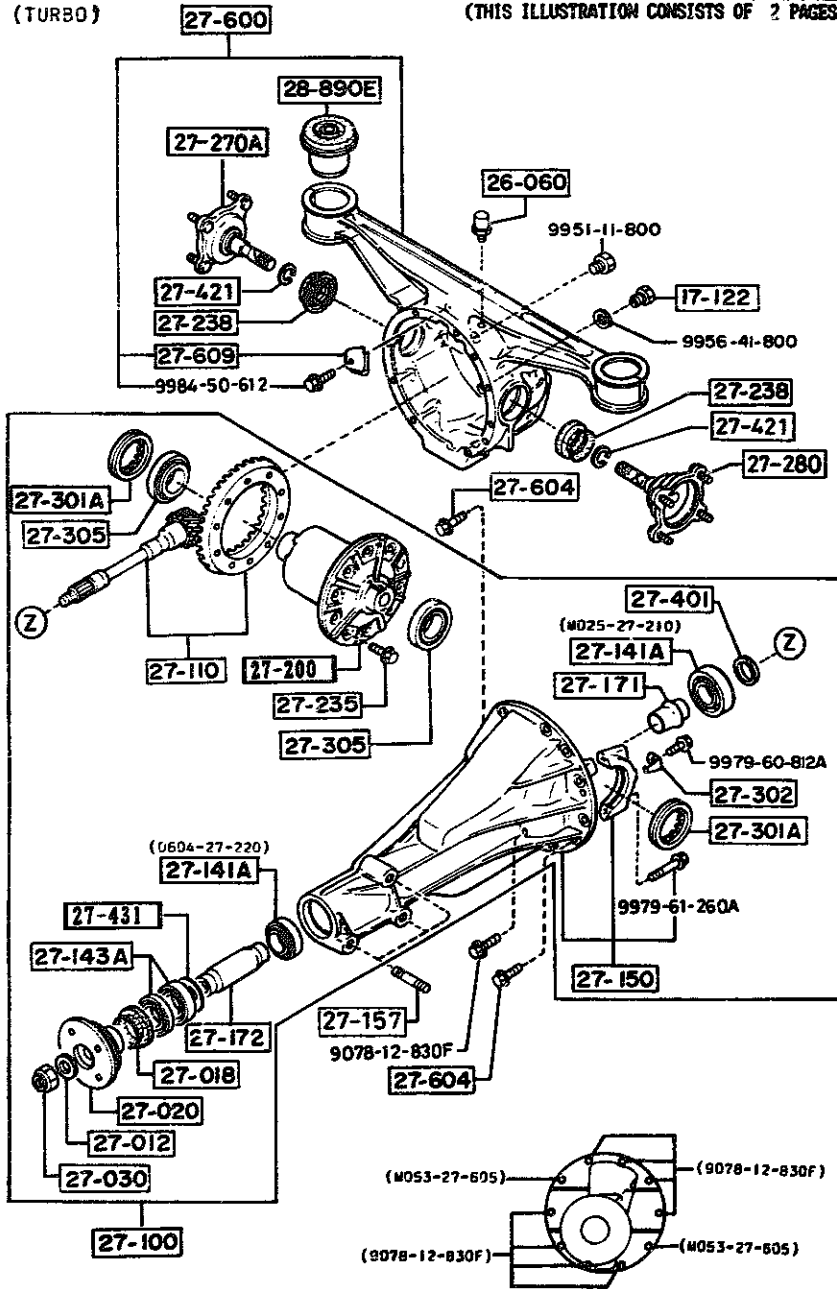
57-K

2710 A REAR DIFFERENTIALS
(LIMITED SLIP DIFF.)

(2/2)

(TURBO)

(THIS ILLUSTRATION CONSISTS OF 2 PAGES)

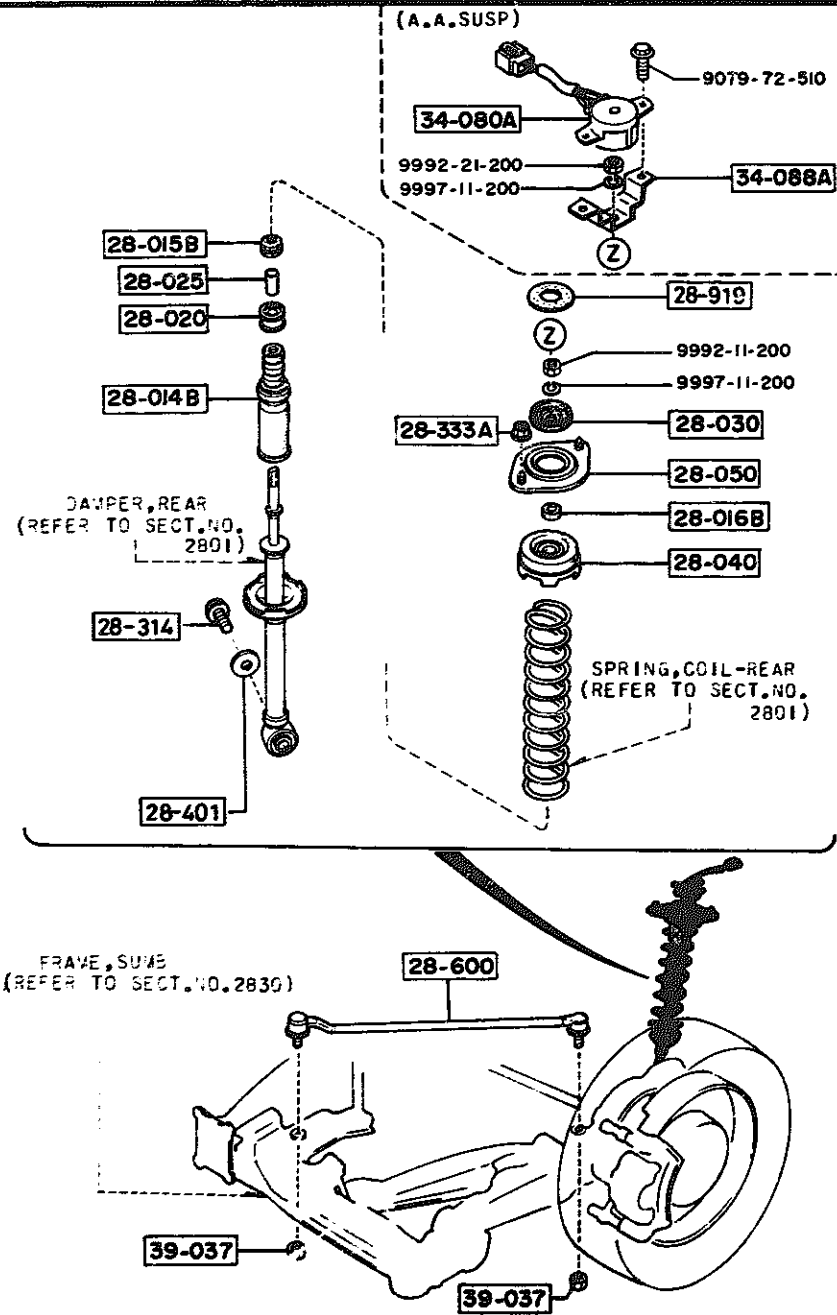


2710 A-4 * REAR DIFFERENTIALS
(LIMITED SLIP DIFF.)

PART NO.	QTY	MODEL/RESTRICTION	MODFL/RESTRICTION	MODEL/RESTRICTION	FROM-TO
CONT'D	1				
0223-27-409A	1	T=3.32MM			
0223-27-411A	1	T=3.35MM			
0223-27-412A	1	T=3.38MM			
0223-27-413A	1	T=3.41MM			
0223-27-414A	1	T=3.44MM			
0223-27-415A	1	T=3.47MM			
27-421		CLIP			
M005-27-421	2	(W/O TURBO)			
P016-27-421	2	(TURBO)			
27-431		SPACER			
P044-27-431A	1				9712-
27-600		CASING, DIFFERENTIAL			
M0A1-27-600	1	(W/O TURBO)			
P016-27-600B	1	(TURBO)			
27-604		BOLT, CARRIER			
M053-27-604	1	(W/O TURBO)			
M053-27-605	1	(W/O TURBO)			
27-609		PLATE, BAFFLE-DIFF CASING			
M055-27-609	1	(TURBO)			-9320
M0A1-27-609 A (M0A1-27-609A)	1				9320-
M0A1-27-609A	1	(W/O TURBO)			
28-890E		RUBBER, MOUNT.-DIFF. CASING			
FB01-28-890C	2				
9320 FC3HKK-704987					
9712 FC3HKK-709633					

2800 REAR SUSPENSION MECHANISMS

2800 -1 REAR SUSPENSION MECHANISMS



PART NO.	QTY	MODEL/RESTRICTION	MODEL/RESTRICTION	MODEL/RESTRICTION	FPM-TO
28-014B	2	RUBBER, STOPPER-RR DAMPER			
FB01-28-014					
28-015B	2	BUSH, RUBBER-REAR DAMPER			
F044-28-015					
28-016B	2	BUSH, RUBBER-REAR DAMPER			
F044-28-013					
28-020	2	PLATE SET, REAR DAMPER			
FB01-28-020					
28-025	2	SPACER, REAR DAMPER			
FB01-28-025					
28-030	2	STOPPER, REAR DAMPER			
FB01-28-030A					
28-040	2	SHEET, SPRING-REAR DAMPER			
FB01-28-040					
28-050	2	PLATE, MOUNTING-RR DAMPER			
FB01-28-050					
28-314	2	BOLT 'B', LINK			
H260-34-037A					
28-333A	4	NUT, FLANGE			
HD01-28-333					
28-401	2	WASHER			
FB01-28-401					
28-600	2	LINK, LATERAL			
FB01-28-200A					
28-919	2	SHEET, DAMPER-UPPER (CONVERTIBLE)			
F055-28-919					
34-080A	2	ACTUATOR, REAR DAMPER (A.A. SUSP)			
FC04-28-080					

AUFA02

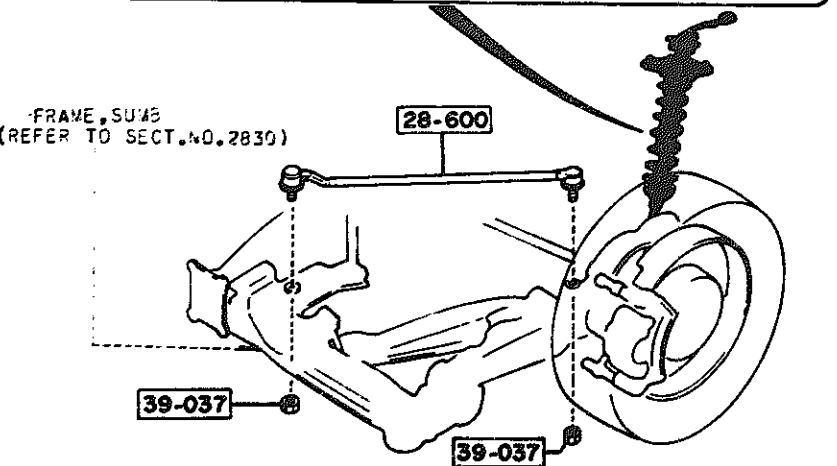
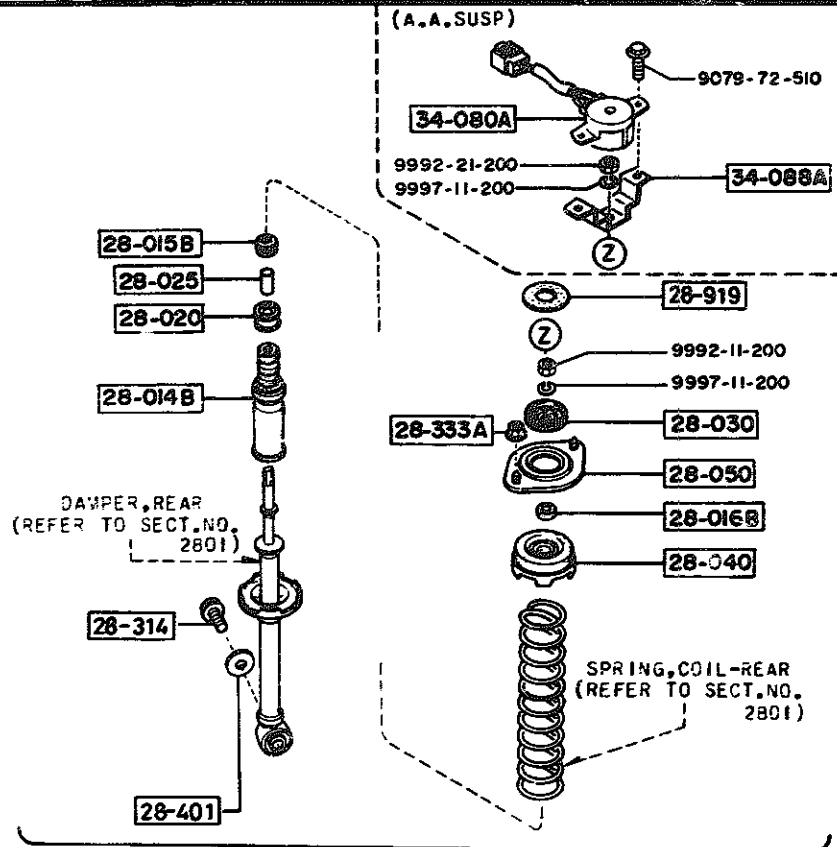
CAT. AUFA02-06

1992-05

FORM-TD

2800 REAR SUSPENSION MECHANISMS

2800 -2 * REAR SUSPENSION MECHANISMS



PART NO.	QTY	MODEL/RESTRICTION	MODEL/RESTRICTION	MODEL/RESTRICTION	FORM-TD
34-088A		PLATE			
H126-28-088	2	(A.A. SUSP)			
39-037		NUT			
B001-39-037B	4				

-9701
701-
-9701
-9701
701-

1992-05

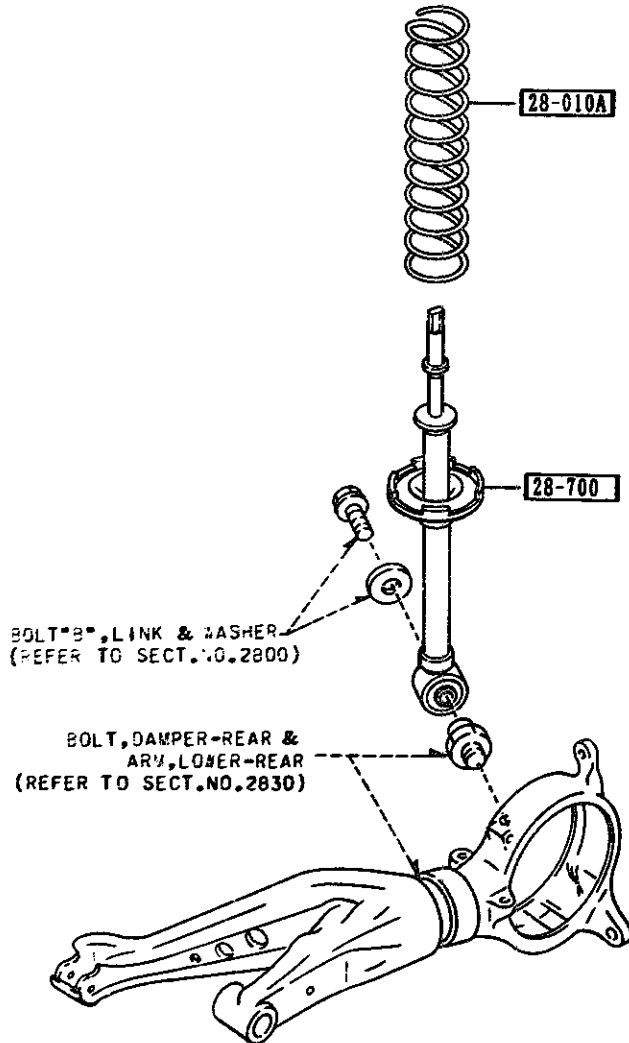
AUFA02

CAT. AUFA02-06

1992-05

2801 REAR SPRING & DAMPER

2801 -1 * REAR SPRING & DAMPER



PART NO.	QTY	MODEL/RESTRICTION	MODEL/RESTRICTION	MODEL/RESTRICTION	FROM-TO
28-010A		SPRING, COIL-REAR			
FC01-28-011	2	(CPE)			
FC33-28-011	2	(CONVERTIBLE)			
28-700		DAMPER, REAR			
FC02-28-700	2	(W/O A.A. SUSP)			
FC04-28-700	2	(A.A. SUSP)			

AUFA02

CAT. AUFA02-06

1992-05

2-14

3220

9992-11-

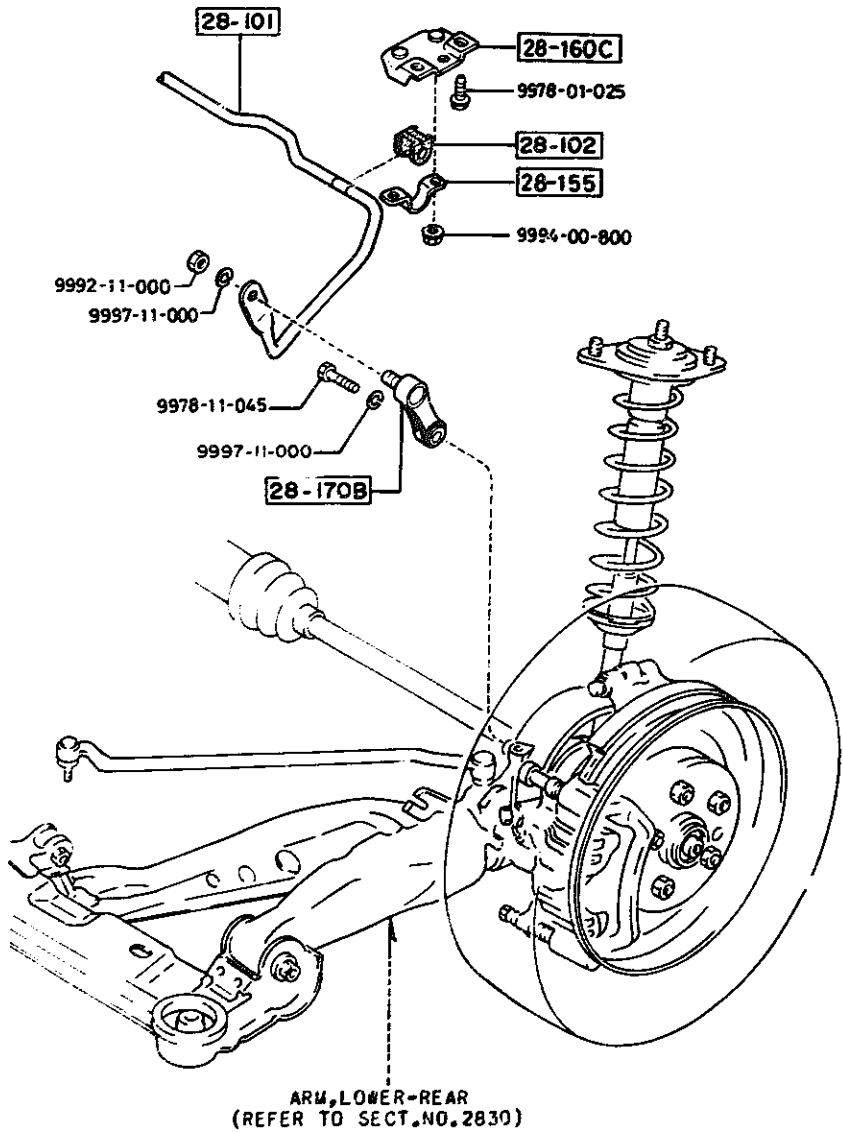
9997-11

9978-01

AUFA02

2810 REAR STABILIZER

2810 -1 * REAR STABILIZER



PART NO.	QTY	MODEL/RESTRICTION	MODEL/RESTRICTION	MODEL/RESTRICTION	FROM-TO
28-101		STABILIZER,RR			
FC01-28-151	1	(CONVERTIBLE)			
FC02-28-151	1	(CPE)			
28-102		BUSH,STABILIZER-RR			
FB01-28-156	2	(CONVERTIBLE)			
FB43-28-156A	2	(CPE)			
28-155		PLATE,STABILIZER-RR			
FB01-28-155	2				
28-160C		BRACKET,STAB -RR			
FB01-28-160A	2				
28-170B		LINK,CONTROL-STAB			
FC01-28-170	2				

ARM, LOWER-REAR
(REFER TO SECT.NO.2830)

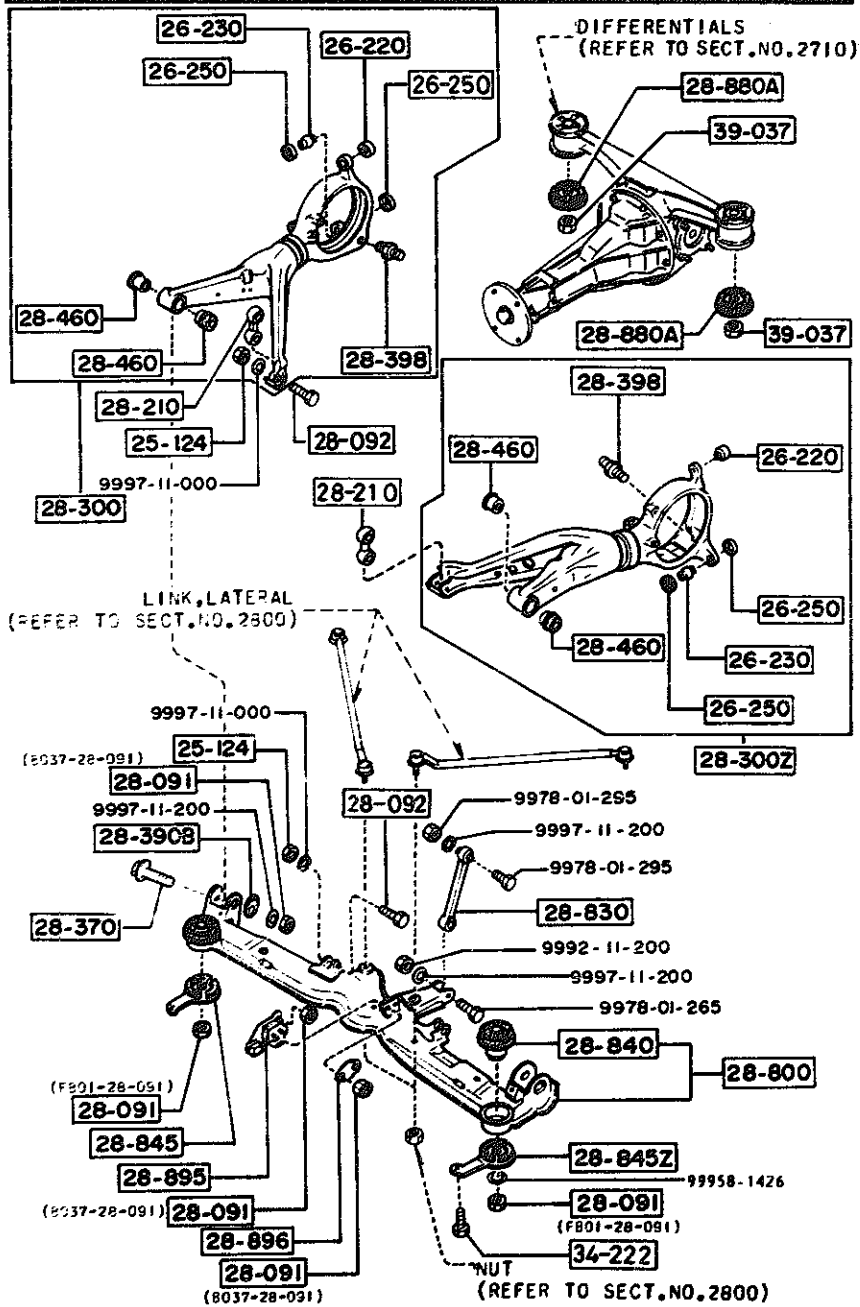
AUFA02

CAT. AUFA02-06

1992-05

2-K 4

2830 REAR LOWER ARMS & SUB FRAME



2830 -1 REAR LOWER ARMS & SUB FRAME

PART NO.	QTY	MODEL/RESTRICTION	MODEL/RESTRICTION	MODEL/RESTRICTION	FROM-TO
25-124		NUT			
1368-25-124	4				
26-220		BUSH, RUBBER-RR LOWER ARM			
FB01-26-220	2				
26-230		BALL, PILLOW-RR LOWER ARM			
FB01-26-230	2				
26-250		RUBBER, SEAL-RR LOWER ARM			
FB01-26-250	4				
28-091		NUT			
B637-28-091	7				
FB01-28-091	2				
28-092		BOLT, CONTROL LINK			
FB01-28-092	4				
28-210		LINK, CONTROL-LWR ARM			
FC01-28-210	2				
28-300		ARM(R), LOWER-REAR			
FB43-28-300A A (FB43-28-300B)	1				-9101
FB43-28-300B	1				9101-
28-300Z		ARM(L), LOWER-REAR			
FB43-28-350C A (FB43-28-350D)	1				-9101
FB43-28-350D	1				9101-
28-370		BOLT, ADJUST			
FB01-28-470A	2				
28-390B		PLATE, CAM			
FB01-28-473	2				
28-398		BOLT, DAMPER-REAR			
F044-28-398A	2				
9101 FC3MM-700067					

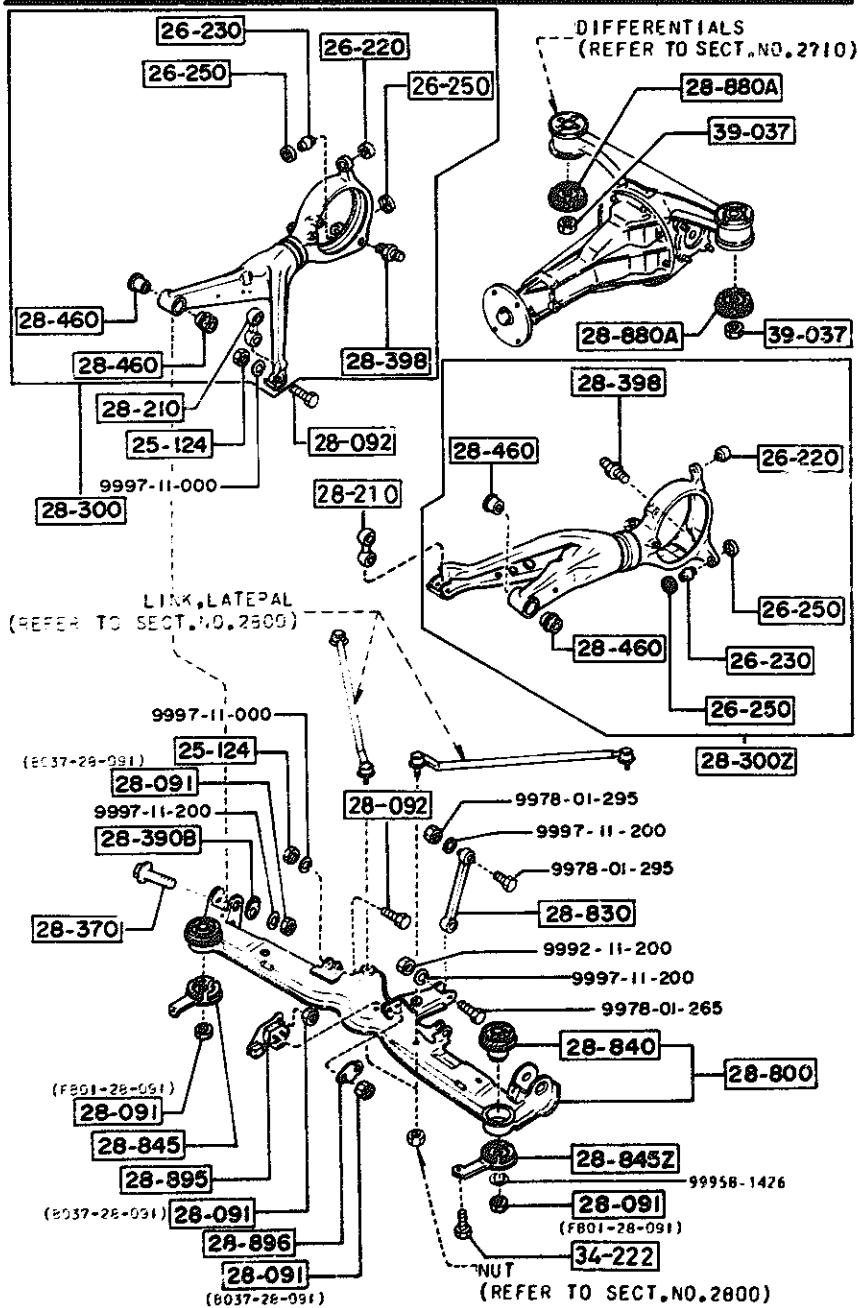
AUFA02

CAT. AUFA02-06

1992-05

2-L 4

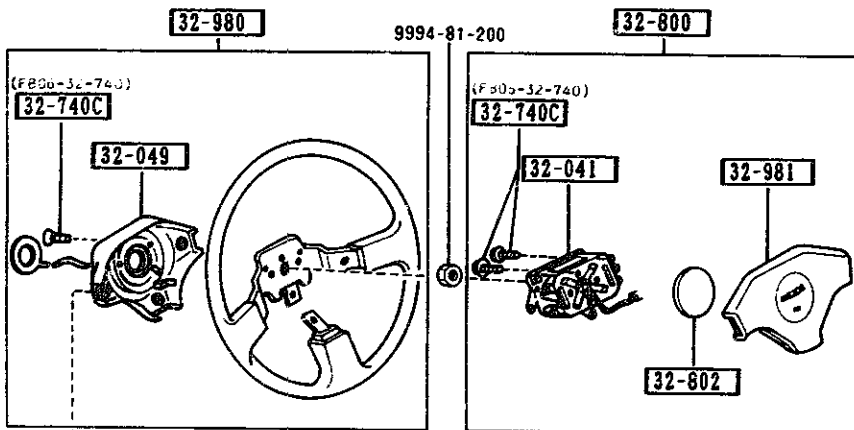
2830 REAR LOWER ARMS & SUB FRAME



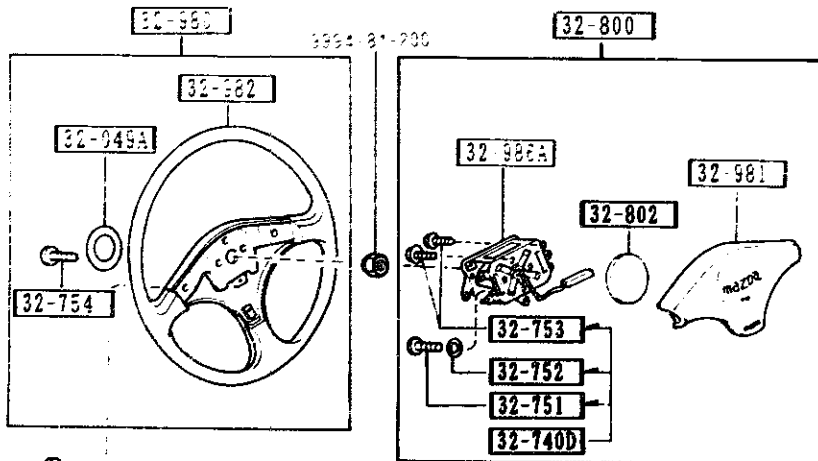
PART NO.	QTY	MODEL/RESTRICTION	MODEL/RESTRICTION	MODEL/RESTRICTION	FROM TO
28-460		BUSHING, LOWER ARM			
FB01-28-460	4				
28-800		FRAME, SUB			
FB43-28-800G	1				
28-830		LINK, SUB-LOWER ARM			
FB01-28-830	1				
28-840		RUBBER, SUB FRAME			
FB43-28-840	2				
28-845		WASHER(R), STOP-LOWER ARM			
FB43-28-845B	1				
28-845Z		WASHER(L), STOP-LOWER ARM			
FB43-28-845B	1				
28-880A		WASHER, STOP			
FB01-28-880A	2				
28-895		RUBBER, MOUNTING-DIFF			
FC01-28-980	1				
28-896		WASHER, MOUNT RUBBER-DIFF			
FB01-28-896	1				
34-222		NUT			
8871-34-222	2				
39-037		NUT			
B001-39-037B	2				

3200 STEERING WHEEL
(W/O AIR BAG)

GTU,
(URETHANE)
(CPE)
GTUS, GXL, CONV,
(LEATHER)



TURBO,
(LEATHER-MOMO MAKE)
(CPE)



3200 -1 STEERING WHEEL
(W/O AIR BAG)

PART NO.	QTY	MODEL/RESTRICTION	MODEL/RESTRICTION	MODEL/RESTRICTION	FROM-TO
32-041		PLATE, SET			
FB05-32-986	1	GTU, GTUS, GXL, CONV (URETHANE) (LEATHER)			
32-049		COVER, WHEEL CORE			
FB05-32-049	1	GTU, GTUS, GXL, CONV (URETHANE) (LEATHER)			
32-049A		RING, CONTACT			
FC17-32-049	1	TURBO, (LEATHER-MOMO MAKE) (CPE)			
32-740C		PARTS SET, ST. WHEEL			
FB05-32-740	1	GTU, GTUS, GXL, CONV (URETHANE) (LEATHER)			
FB06-32-740	1	GTU, GTUS, GXL, CONV (URETHANE) (LEATHER)			
32-740D		PARTS SET, HORN CAP			
FC17-32-740	1	TURBO, (LEATHER-MOMO MAKE) (CPE)			-0601
32-751		SCREW, HORN CAP			
FC17-32-751	4	TURBO, (LEATHER-MOMO MAKE) (CPE)			0601-
32-752		WASHER, HORN CAP			
FC17-32-752	4	TURBO, (LEATHER-MOMO MAKE) (CPE)			0601-
32-753		SCREW, HORN CAP			
FC17-32-753	4	TURBO, (LEATHER-MOMO MAKE) (CPE)			0601-
32-754		SCREW, ST. WHEEL BOSS			
FC17-32-754	2	TURBO, (LEATHER-MOMO MAKE)			0701-
		0601 FC3MNR-806965			
		0701 FC3MNR-807120			

AUFA02

CAT. AUFA02-06

1992-05

SECTION NAME INDEX (CHASSIS)

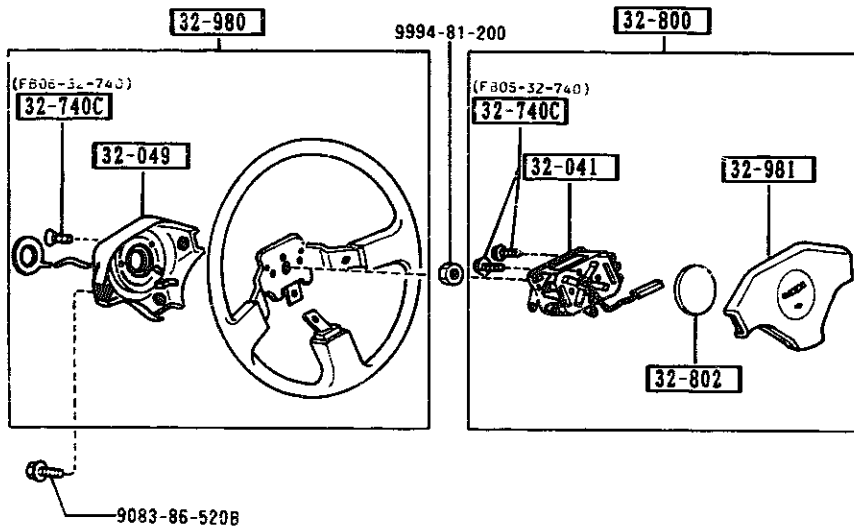
LO.NO	SEC.NO	SECTION NAME	LO.NO	SEC.NO	SECTION NAME	LO.NO	SEC.NO	SECTION NAME
2-C03	2505	REAR PROPELLER SHAFT	2-M08	4140	CLUTCH RELEASE & MASTER CYLINDERS (MANUAL TRANSMISSION)			
2-D03	2550	REAR DRIVE SHAFT	2-C09	4145	CLUTCH PIPINGS (MANUAL TRANSMISSION)			
2-E03	2600	REAR AXLE	2-D09	4160	ACCELERATOR CONTROL SYSTEM			
2-G03	2610	REAR BRAKE MECHANISMS	2-E09	4200	FUEL TANK			
2-K03	2710	REAR DIFFERENTIALS (NORMAL DIFF.)	2-H09	4300	CLUTCH & BRAKE PEDALS (MANUAL TRANSMISSION)			
2-C04	2710 A	REAR DIFFERENTIALS (LIMITED SLIP DIFF.)	2-K09	4300A	BRAKE PEDALS (AUTOMATIC TRANSMISSION)			
2-H04	2800	REAR SUSPENSION MECHANISMS	2-M09	4340	BRAKE MASTER CYLINDER & POWER BRAKE (W/O TURBO)			
2-J04	2801	REAR SPRING & DAMPER	2-C10	4340 A	BRAKE MASTER CYLINDER & POWER BRAKE (TURBO)			
2-K04	2810	REAR STABILIZER	2-E10	4360	BRAKE PIPINGS (W/O TURBO)			
2-L04	2830	REAR LOWER ARMS & SUB FRAME	2-G10	4360 A	BRAKE PIPINGS (TURBO)			
2-N04	3200	STEERING WHEEL (W/O AIR BAG)	2-J10	4370	ANTILOCK BRAKE SYSTEM (TURBO)			
2-E05	3200 A	STEERING WHEEL (W/ AIR BAG)	2-N10	4400	PARKING BRAKE SYSTEM			
2-G05	3210	STEERING COLUMN & SHAFTS	2-D11	4500	FUEL PIPINGS			
2-I05	3220 A	STEERING GEAR (W/ POWER STEERING:ENGINE REVOLUTION PER MINUTE SENSOR) (GTU, '90-GXL, '90-CONV-W/O AIR BAG)	2-H11	4600	CHANGE CONTROL SYSTEM (AT)			
2-L05	3220 B	STEERING GEAR (W/ POWER STEERING:VELOCITY SENSOR) (GTUS, '90-GXL, TURBO, '89-CONV, '90-CONV-W/AIR BAG)						
2-C06	3240	POWER STEERING SYSTEM						
2-F06	3300	FRONT AXLE						
2-H06	3310	FRONT BRAKE MECHANISMS						
2-K06	3400	FRONT SUSPENSION MECHANISMS						
2-M06	3401	FRONT SPRING & DAMPER						
2-N06	3410	CROSSMEMBER & STABILIZER						
2-C07	3700	TIRES & JACK						
2-C08	3900	ENGINE & T/MISSION MOUNTINGS (MT)						
2-D08	3900A	ENGINE & T/MISSION MOUNTINGS (AT)						
2-E08	4000	EXHAUST SYSTEM (W/O TURBO)						
2-I08	4000 A	EXHAUST SYSTEM (TURBO)						

CATLOG-NO= AUFA02-06

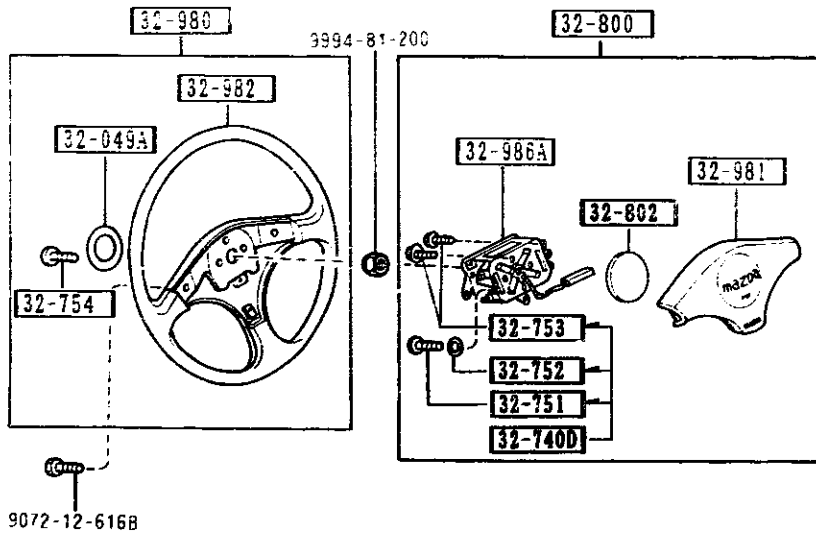
DATE. 1992-05

3200 STEERING WHEEL
(W/O AIR BAG)

GTU,
(URETHANE)
(CPE)
GTUS, GXL, CONV,
(LEATHER)



TURBO,
(LEATHER-MOMO MAKE)
(CPE)



3200 -2 STEERING WHEEL
(W/O AIR BAG)

PART NO.	QTY	MODEL/RESTRICTION	MODEL/RESTRICTION	MODEL/RESTRICTION	FROM-TO
CONT'D		(CPE)			
32-800		CAP, HORN			
FB05-32-800A	1	GTU, (URETHANE) (CPE)			
FB06-32-800A	1	GTUS, GXL, CONV, (LEATHER)			
FC17-32-800 AN(FC17-32-800A)	1				-0601
FC17-32-800A	1	TURBO, (LEATHER-MOMO MAKE) (CPE)			0601-
32-802		COVER, HORN PAD			
FB05-32-802	1	GTU, GTUS, GXL, CONV (URETHANE) (LEATHER)			
FC17-32-802 AN(FC17-32-802A)	1				-0601
FC17-32-802A	1	TURBO, (LEATHER-MOMO MAKE) (CPE)			0601-
32-980		BOSS, STEERING WHEEL			
FC17-32-980 A (FC17-32-980A)	1				-0101
FB05-32-980B A (FB05-32-980C)	1				-0701
FB06-32-980B A (FB06-32-980C)	1				-0701
FC17-32-980A A (FC17-32-980B)	1				0101-0701
FB05-32-980C	1	GTU, (URETHANE) (CPE)			0701-
FB06-32-980C	1	GTUS, GXL, (LEATHER)			0701-
FC17-32-980B	1	TURBO, (LEATHER-MOMO MAKE) (CPE)			0701-
32-981		PAD, HORN			
FB05-32-801	1	GTU, (URETHANE) (CPE)			
FB06-32-801	1	GTUS, GXL, CONV.			
0101	FC3NN-805489				
0601	FC3NN-806965				
0701	FC3NN-807120				

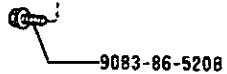
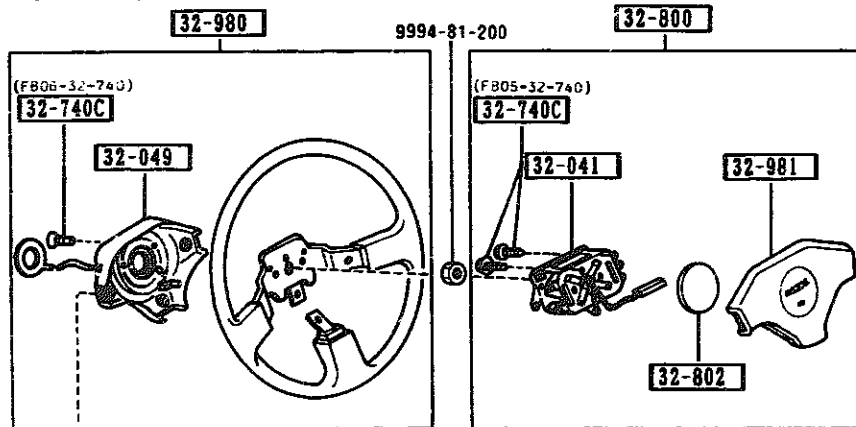
AUFA02

CAT. AUFA02-06

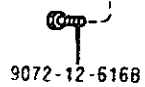
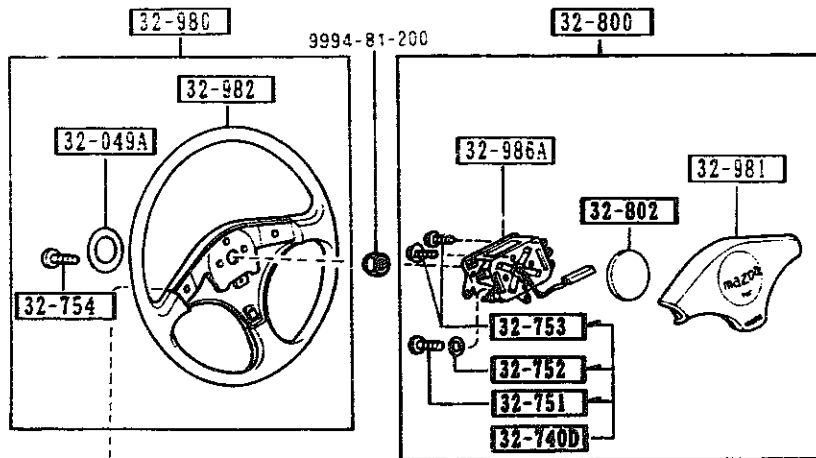
1992-05

3200 STEERING WHEEL
(W/O AIR BAG)

GTU,
(URETHANE)
(CPE)
GTUS, GXL, CONV.,
(LEATHER)



TURBO,
(LEATHER-MOMO MAKE)
(CPE)



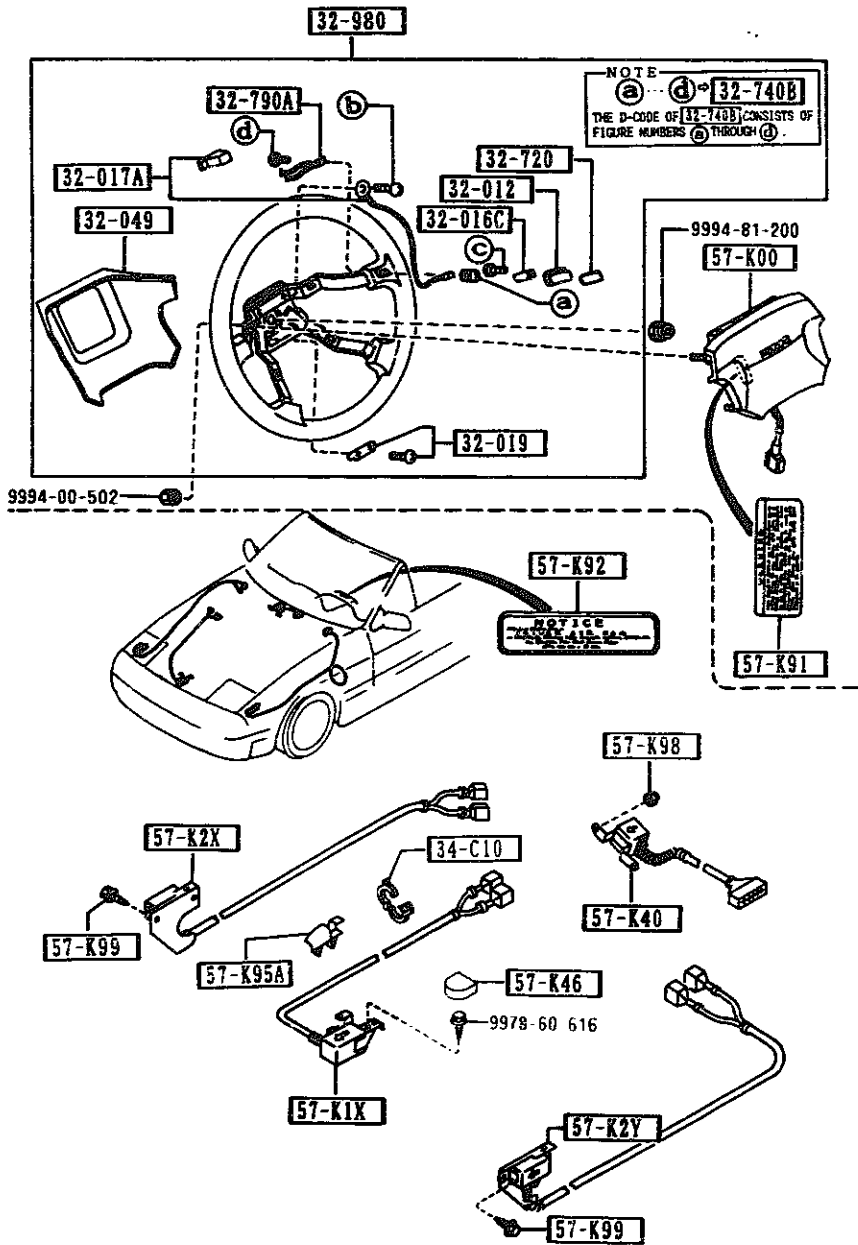
3200 -3 * STEERING WHEEL
(W/O AIR BAG)

PART NO.	QTY	MODEL/RESTRICTION	MODEL/RESTRICTION	MODEL/RESTRICTION	FROM-TO
CONT'D		(LEATHER)			
FC17-32-801	1	TURBO, (LEATHER-MOMO MAKE) (CPE)			
		32-982	BOSS, STEERING WHEEL		
FC17-32-982	1	TURBO, (LEATHER-MOMO MAKE) (CPE)			0701-
		32-986A	ABSORBER, ENERGY		
FC17-32-986	1	TURBO, (LEATHER-MOMO MAKE) (CPE)			

0701 FCSHW-807120

3200 A STEERING WHEEL
(W/ AIR BAG)

3200 A-1 STEERING WHEEL
(W/ AIR BAG)



PART NO.	QTY	MODEL/RESTRICTION	MODEL/RESTRICTION	MODEL/RESTRICTION	FROM-TO
32-012		BUTTON, HORN			
FC66-32-730	1				
32-016C		PLATE, CONTACT			
FC66-32-020	1				
32-017A		PLATE, CONTACT			
FC66-32-030	1				
32-019		BRACKET, COUPLER			
FC66-32-019A	1				
32-049		COVER, WHEEL CORE			
FC66-32-049A	1				
32-720		BASE, HORN BUTTON			
FC66-32-740	1				
32-740B		SCREW SET, ST. WHEEL			
FC66-32-770	1				
32-790A		CORD, HORN-ST. WHEEL			
FC66-32-040	1				
32-980		BOSS, STEERING WHEEL			
FC66-32-980B	1				
34-C10		BAND, PIPE			
B214-34-C10	1				
57-K00		MODULE, AIR BAG			
FC66-57-K00A	1				
57-K1X		SENSOR, AIR BAG			
FC66-57-K1XC A (FC66-57-K1XD)	1				-9905
FC66-57-K1XD	1				9905-
57-K2X		SENSOR(R), AIR BAG			
FC66-57-K2XE A (FC66-57-K2XG)	1				-9905
9905 FC3MXX-802353					

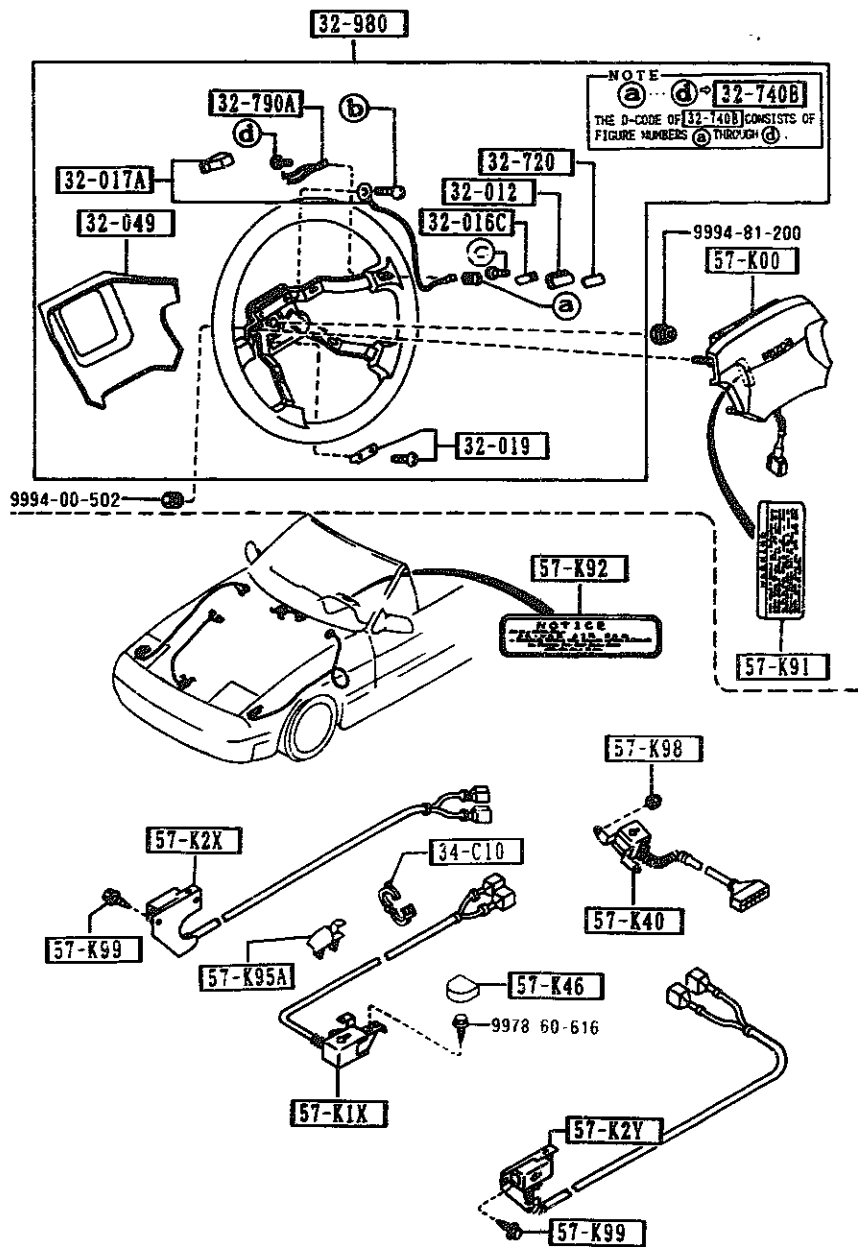
AUFA02

CAT. AUFA02-06

1992-05

3200 A STEERING WHEEL
(W/ AIR BAG)

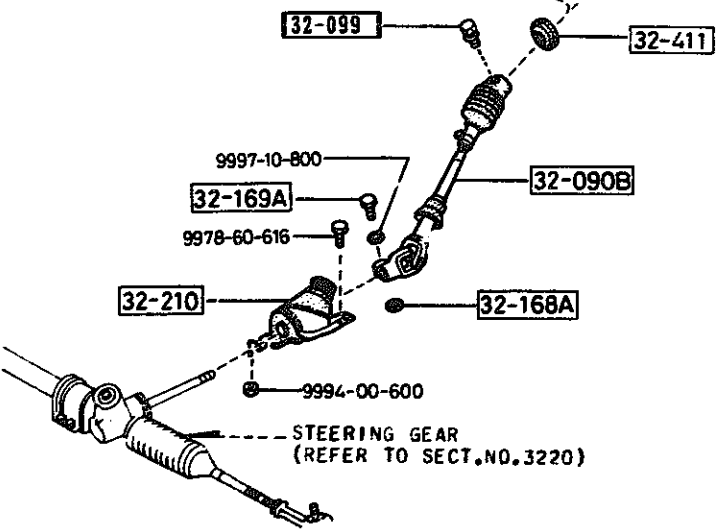
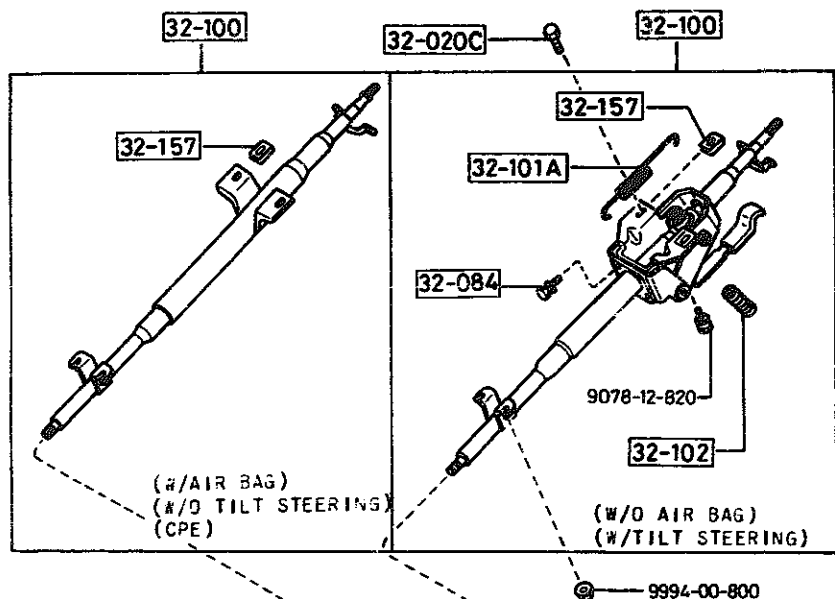
3200 A-2 # STEERING WHEEL
(W/ AIR BAG)



PART NO.	QTY	MODEL/RESTRICTION	MODEL/RESTRICTION	MODEL/RESTRICTION	FROM-TO
CONT'D					
FC66-57-K2XG	1				9905-
57-K2Y		SENSOR(L),AIR BAG			
FC66-57-K2YE	1				-9905
A (FC66-57-K2YG)					
FC66-57-K2YG	1				9905-
57-K40		SENSOR,AIR BAG-INNER			
FC66-57-K40B	1				
57-K46		COVER(L),SENSOR			
FC66-57-K46	2				-9A01
57-K91		LABEL 'A',CAUTION-A/B			
NA01-57-K91	1				
57-K92		LABEL 'B',CAUTION-A/B			
NA01-57-K92	1				
57-K95A		CLIP,AIR BAG			
FC67-57-K95	1				
57-K98		NUT			
FC66-57-K98	2				
57-K99		SCREW,TAPPING			
FC66-57-K99	4				

9905 FC3***-802353
 9A01 FC3***-803554

3210 STEERING COLUMN & SHAFTS



PART NO.	QTY	MODEL/RESTRICTION	MODEL/RESTRICTION	MODEL/RESTRICTION	FROM-TO
32-020C		BOLT			
B001-32-020	2	(W/O AIR BAG)			
32-084		BOLT			
W001-32-084	4	GXL, TURBO, CONV, (W/TILT STEERING) (W/O AIR BAG)			
32-090B		SHAFT, INTERMED.			
FB05-32-090F	1				
32-099		BOLT, SHAFT			
B455-32-099	1				
32-100		SHAFT, ENGY. ABSORBER			
FB01-32-100	1	GTU, GTUS, (W/O TILT STEERING) (CPE)			
FB05-32-100A A (FB05-32-100B)	1				-9202
FC66-32-100A A (FC66-32-100B)	1				-9A01
FB05-32-100B	1	GXL, TURBO, CONV, (W/TILT STEERING) (W/O AIR BAG)			9202-
FC66-32-100B	1	(W/AIR BAG)			9A01-
32-101A		SPRING, BALANCE-SHAFT			
FB05-32-101	1	GXL, TURBO, CONV, (W/TILT STEERING) (W/O AIR BAG)			
32-102		SPRING, RETURN-SHAFT			
FB05-32-102	1	GXL, TURBO, CONV, (W/TILT STEERING) (W/O AIR BAG)			
32-157		PLATE, COATING-SHAFT			
FB01-32-157	2	GTU, GTUS, (W/O TILT STEERING) (CPE)			
FB05-32-157	2	GXL, TURBO, CONV, (W/TILT STEERING) (W/O AIR BAG)			
32-168A		WASHER, STOP			

9202 FC3HNN-702073
9A01 FC3HNN-803554

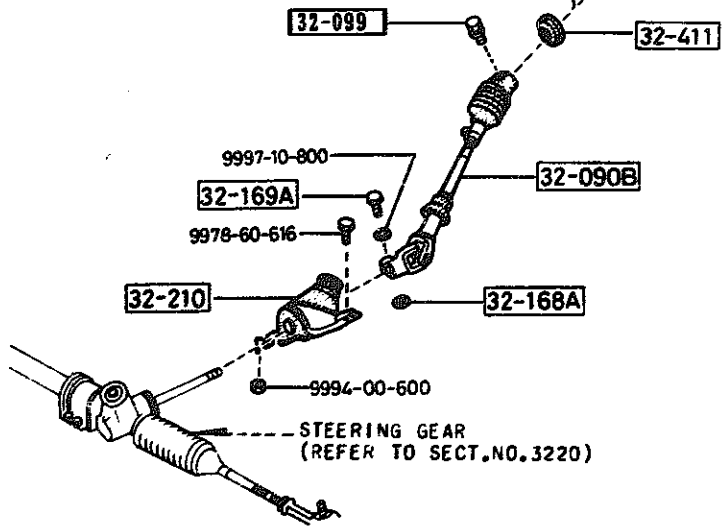
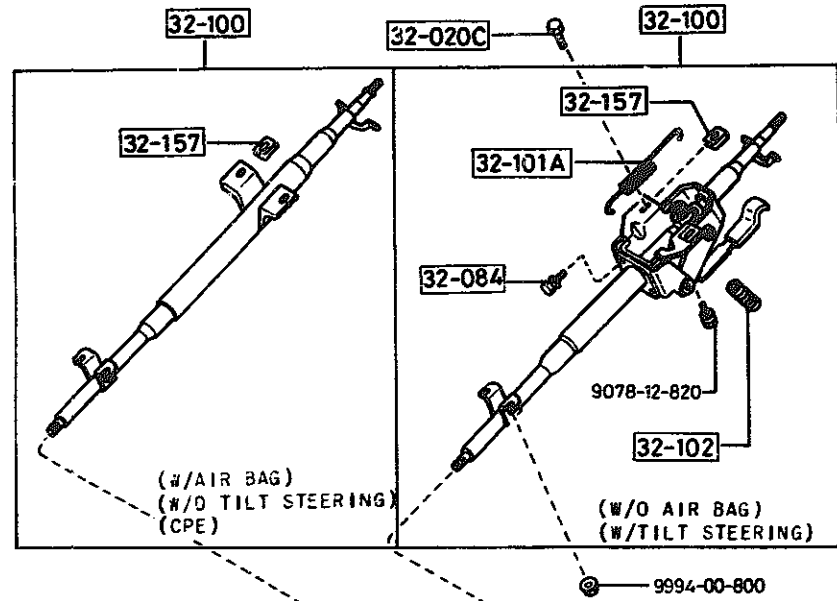
AUFA02

CAT. AUFA02-06

1992-05

3210 STEERING COLUMN & SHAFTS

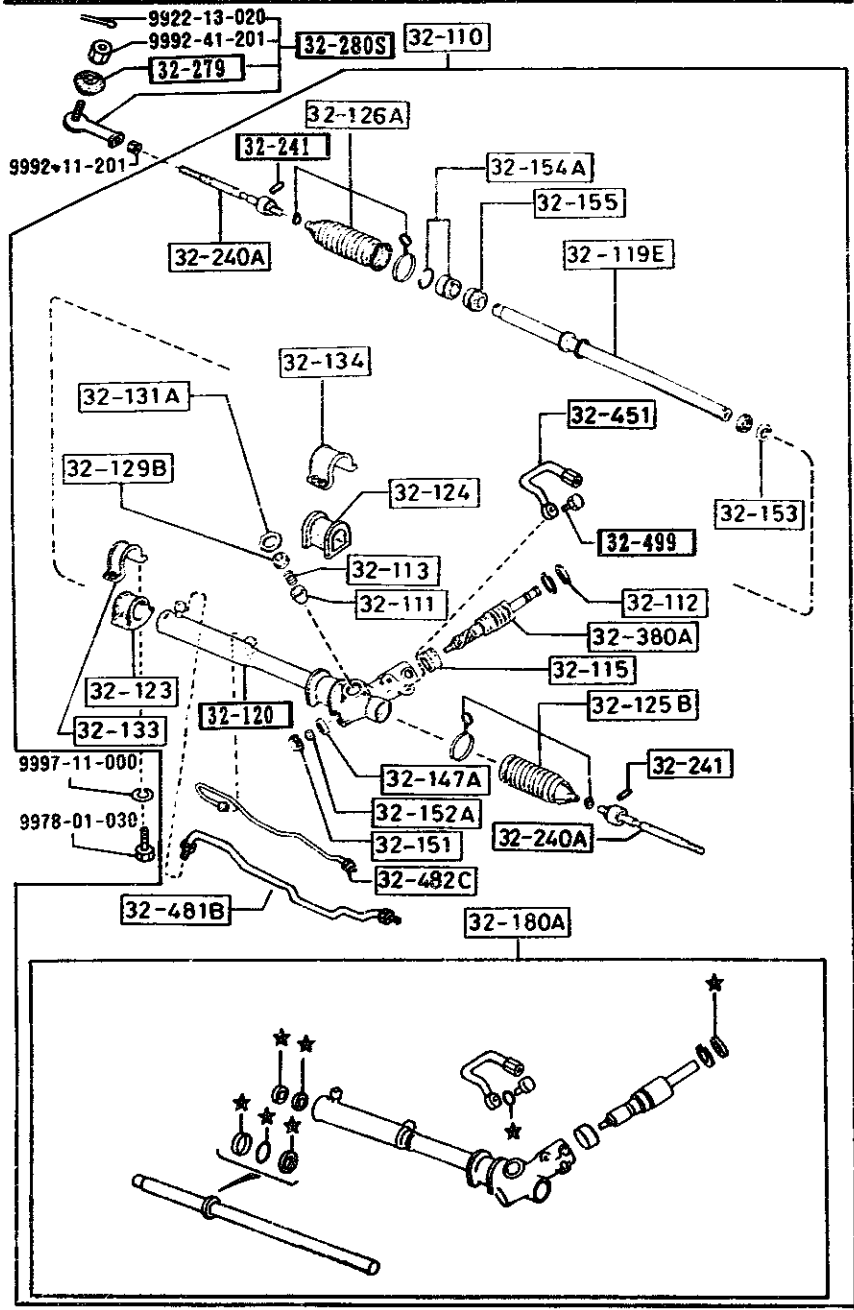
3210 -2 * STEERING COLUMN & SHAFTS



PART NO.	QTY	MODEL/RESTRICTION	MODEL/RESTRICTION	MODEL/RESTRICTION	FROM-TO
CONT'D FB01-32-168	1				
32-169A		EOLT			
8001-32-169A	1				
32-210		COVER, STEERING SHAFT			
FB01-32-210	1				
32-411		COVER, DUST			
FB01-32-411A	1				

2-14-5

3220 A STEERING GEAR
(W/ POWER STEERING:ENGINE REVOLUTION PER MINUTE SENSOR)
(GTU, '90-GXL, '90-CONV-W/O AIR BAG)



3220 A-1 STEERING GEAR
(W/ POWER STEERING:ENGINE REVOLUTION PER MINUTE SENSOR)
(GTU, '90-GXL, '90-CONV-W/O AIR BAG)

PART NO.	QTY	MODEL/RESTRICTION	MODEL/RESTRICTION	MODEL/RESTRICTION	FROM-TO
32-110		GEAR, STEERING			
FC01-32-110 A (FC01-32-110A)	1				-9403
FC01-32-110A	1				9403-
32-111		YOKE, SUPPORT			
FB05-32-111	1				
32-112		COVER, DUST			
FB05-32-112	1				
32-113		SPRING, YOKE			
FB05-32-113	1				
32-115		BEARING, ST. GEAR			
FB05-32-115	1				
32-119E		RACK, STEERING GEAR			
FC01-32-119	1				
32-120		HOUSING, GEAR			
FC01-32-120	1				
32-123		RUBBER, MOUNTING			
FB05-32-123	1				
32-124		RUBBER, MOUNTING			
FB01-32-124	1				
32-125B		BOOT, RACK			
FB01-32-125	1				
32-126A		BOOT, RACK			
FB01-32-126	1				
32-129B		PLUG, PINION			
FB05-32-129	1				
32-131A		NUT, LOCK-RACK			
FB05-32-131	1				
9403 FC3#MM-705390					

POM-T0

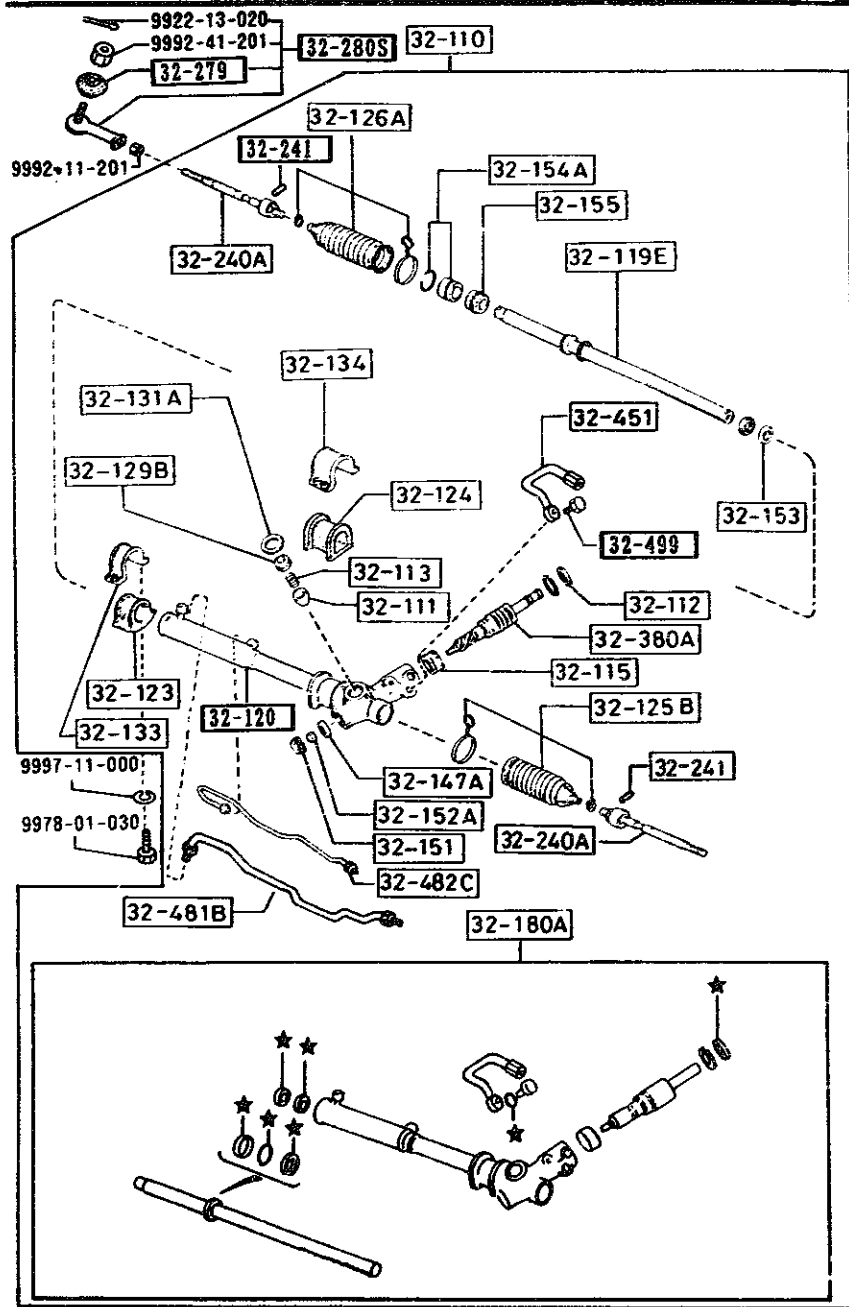
1992-05

AUFA02

CAT. AUFA02-06

1992-05

3220 A STEERING GEAR
(W/ POWER STEERING-ENGINE REVOLUTION PER MINUTE SENSOR)
(GTU, '90-GXL, '90-CONV-W/O AIR BAG)



3220 A-2 STEERING GEAR
(W/ POWER STEERING-ENGINE REVOLUTION PER MINUTE SENSOR)
(GTU, '90-GXL, '90-CONV-W/O AIR BAG)

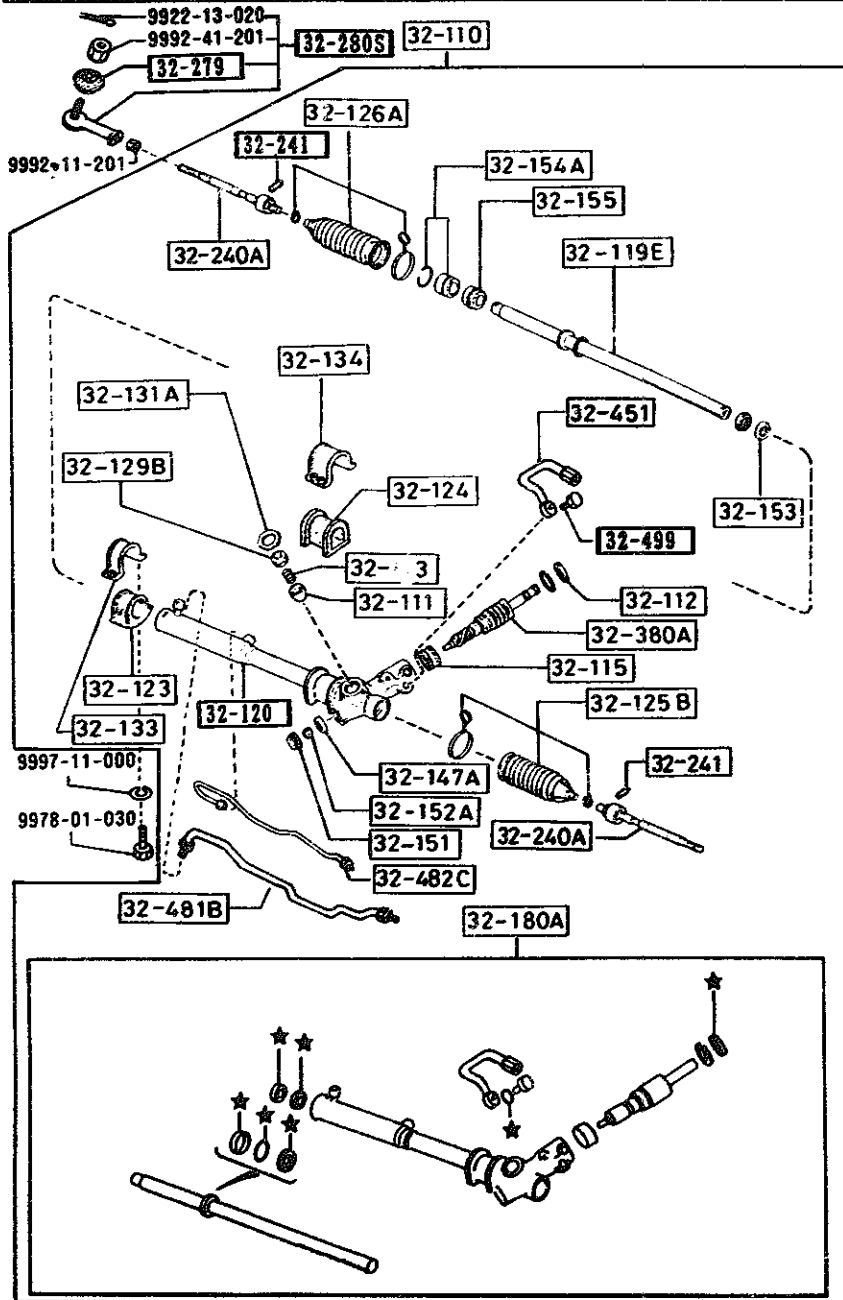
PART NO.	QTY	MODEL/RESTRICTION	MODEL/RESTRICTION	MODEL/RESTRICTION	FROM-TO
32-133		PLATE, CLAMP			
FB05-32-133	1				
32-134		PLATE, CLAMP			
FB01-32-134	1				
32-147A		BEARING, PINION			
FB05-32-147	1				
32-151		COVER, END			
FB05-32-151	1				
32-152A		NUT, ADJUST			
FB05-32-152	1				
32-153		RING, BACK UP			
FB05-32-153	1				
32-154A		HOLDER, STEERING GEAR			
FB05-32-154	1				
32-155		BUSH, RUBBER			
FB05-32-155	1				
32-180A		SEAL KIT, ST. GEAR			
FB05-32-180	1				
32-240A		JOINT, BALL			
FB01-32-240A	2				
32-241		PIN, SPRING-STEERING GEAR			
FB01-32-241	2				
32-279		SEAL, DUST-BALL JOINT			
8021-32-279	2				
32-280S		JOINT SET, BALL			
8AF1-32-280	2				
32-380A		VALVE, ST. GEAR			
FC01-32-380	1				

AUFA02

CAT. AUFA02-06

1992-05

3220 A STEERING GEAR
(W/ POWER STEERING:ENGINE REVOLUTION PER MINUTE SENSOR)
(GTU, '90-GXL, '90-CONV-W/O AIR BAG)



3220 A-3 * STEERING GEAR
(W/ POWER STEERING:ENGINE REVOLUTION PER MINUTE SENSOR)
(GTU, '90-GXL, '90-CONV-W/O AIR BAG)

PART NO.	QTY	MODEL/RESTRICTION	MODEL/RESTRICTION	MODEL/RESTRICTION	FROM-TO
32-451		PIPE 'A', ST. GEAR			
FB05-32-451	1				
32-481B		PIPE 'A', CYLINDER			
FB05-32-481A (FB05-32-481A)	1				-9403
FB05-32-481A	1				9403-
32-482C		PIPE 'B', CYLINDER			
FB05-32-482	1				
32-499		EYE BOLT KIT, ST. GEAR			
FB78-32-499	1				

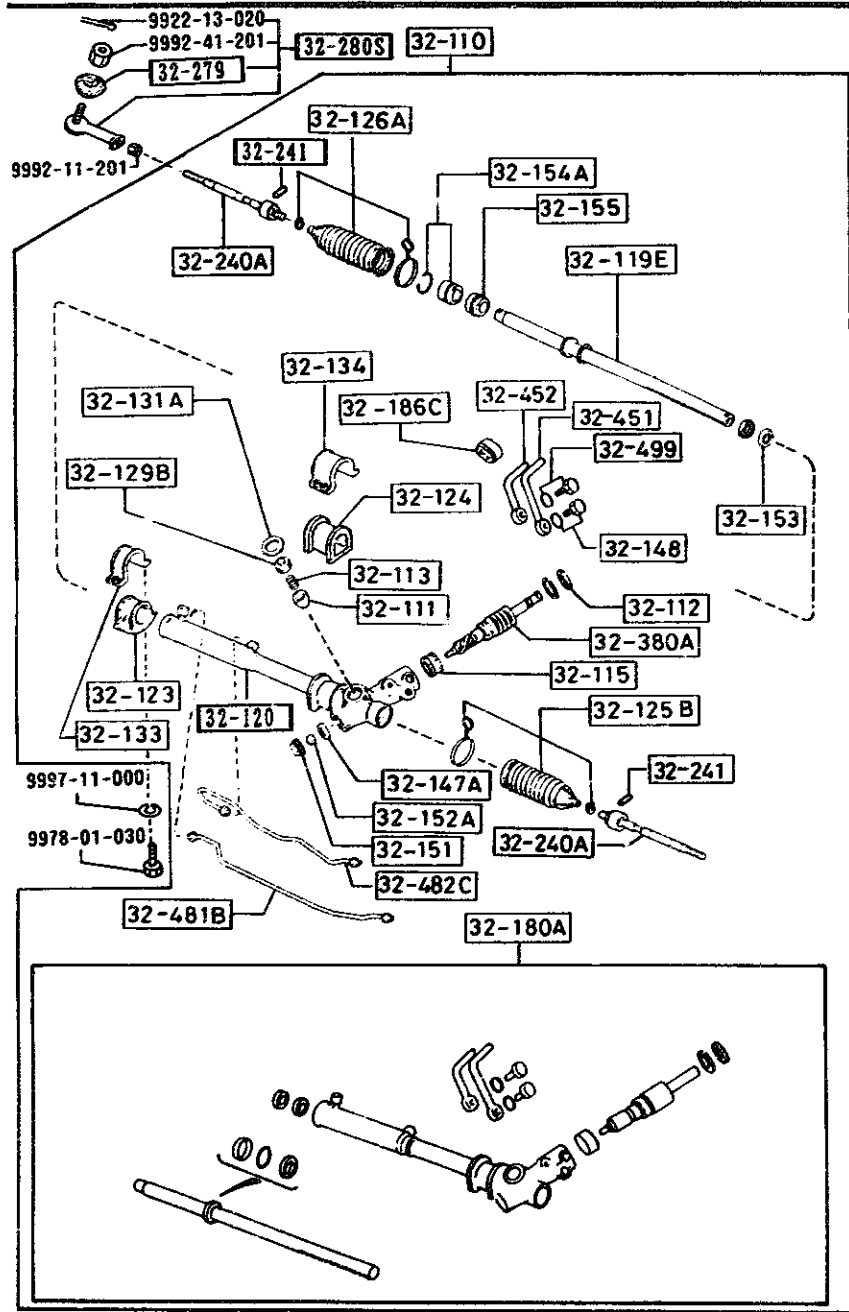
9403 FC3HXX-705390

CAT. AUFA02-06

1992-05

2 K 5

3220 B STEERING GEAR
(W/ POWER STEERING-VELOCITY SENSOR)
(GTUS, '90-GXL, TURBO, '89-CONV, '90-CONV-W/AIR BAG)



3220 B-1 STEERING GEAR
(W/ POWER STEERING-VELOCITY SENSOR)
(GTUS, '90-GXL, TURBO, '89-CONV, '90-CONV-W/AIR BAG)

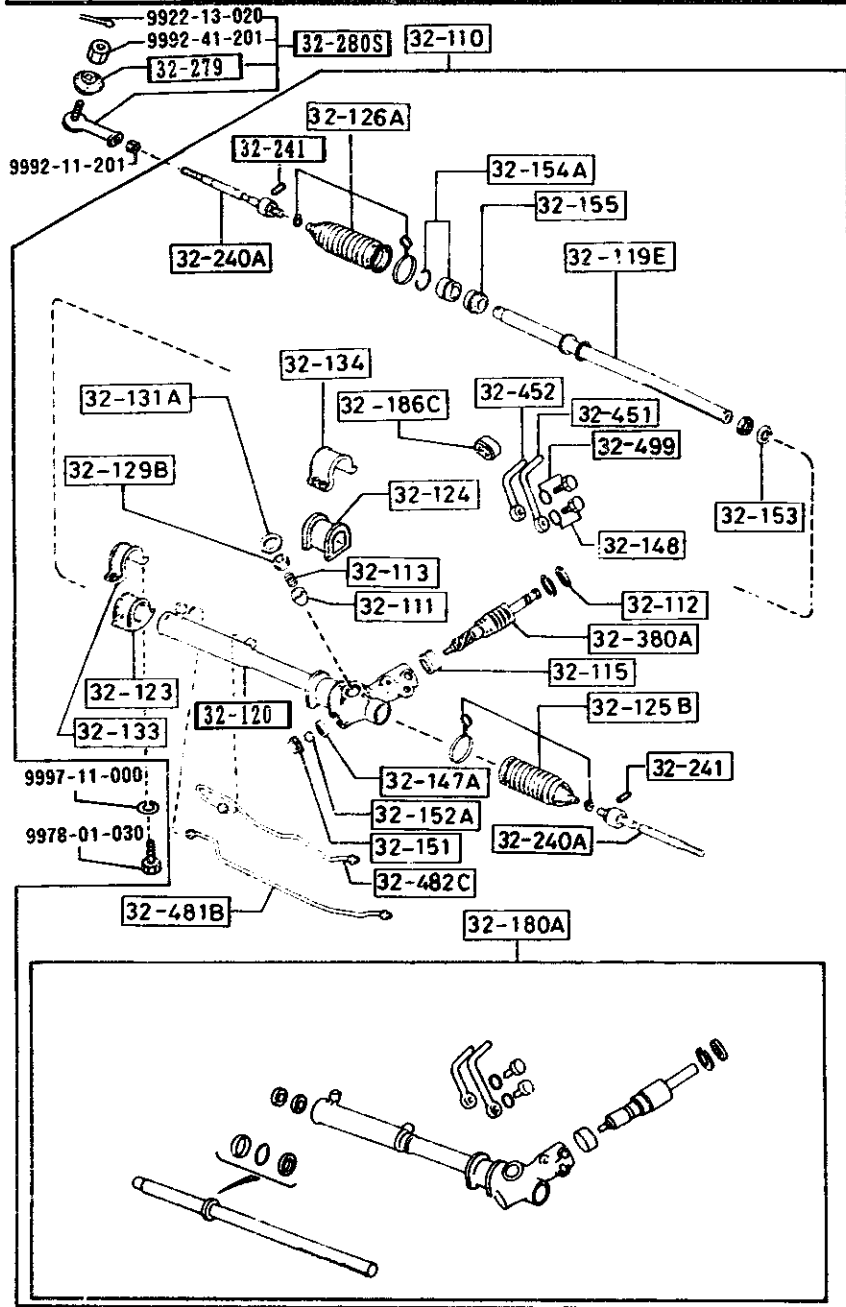
PART NO.	QTY	MODEL/RESTRICTION	MODEL/RESTRICTION	MODEL/RESTRICTION	FROM-TO
32-110		GEAR, STEERING			
FB73-32-110B A (FB78-32-110C)	1				-9404
FB78-32-110C	1				9404-
32-111		YOKE, SUPPORT			
FB05-32-111	1				
32-112		COVER, DUST			
FB05-32-112	1				
32-113		SPRING, YOKE			
FB05-32-113	1				
32-115		BEARING, ST. GEAR			
FB05-32-115	1				
32-119E		RACK, STEERING GEAR			
FB05-32-119	1				
32-120		HOUSING, GEAR			
FB05-32-120 A (FB05-32-120A)	1				-9404
FB05-32-120A	1				9404-
32-123		RUBBER, MOUNTING			
FB05-32-123	1				
32-124		RUBBER, MOUNTING			
FB01-32-124	1				
32-125B		BOOT, RACK			
FB01-32-125	1				
32-126A		BOOT, RACK			
FB01-32-126	1				
32-129B		PLUG, PINION			
FB05-32-129	1				
32-131A		NUT, LOCK-RACK			
9404 FCSNM-705483					

AUFA02

CAT. AUFA02-06

1992-05

3220 B STEERING GEAR
(W/ POWER STEERING: VELOCITY SENSOR)
(GTUS, '90-GXL, TURBO, '89-CONV, '90-CONV-W/AIR BAG)



3220 B-2 STEERING GEAR
(W/ POWER STEERING: VELOCITY SENSOR)
(GTUS, '90-GXL, TURBO, '89-CONV, '90-CONV-W/AIR BAG)

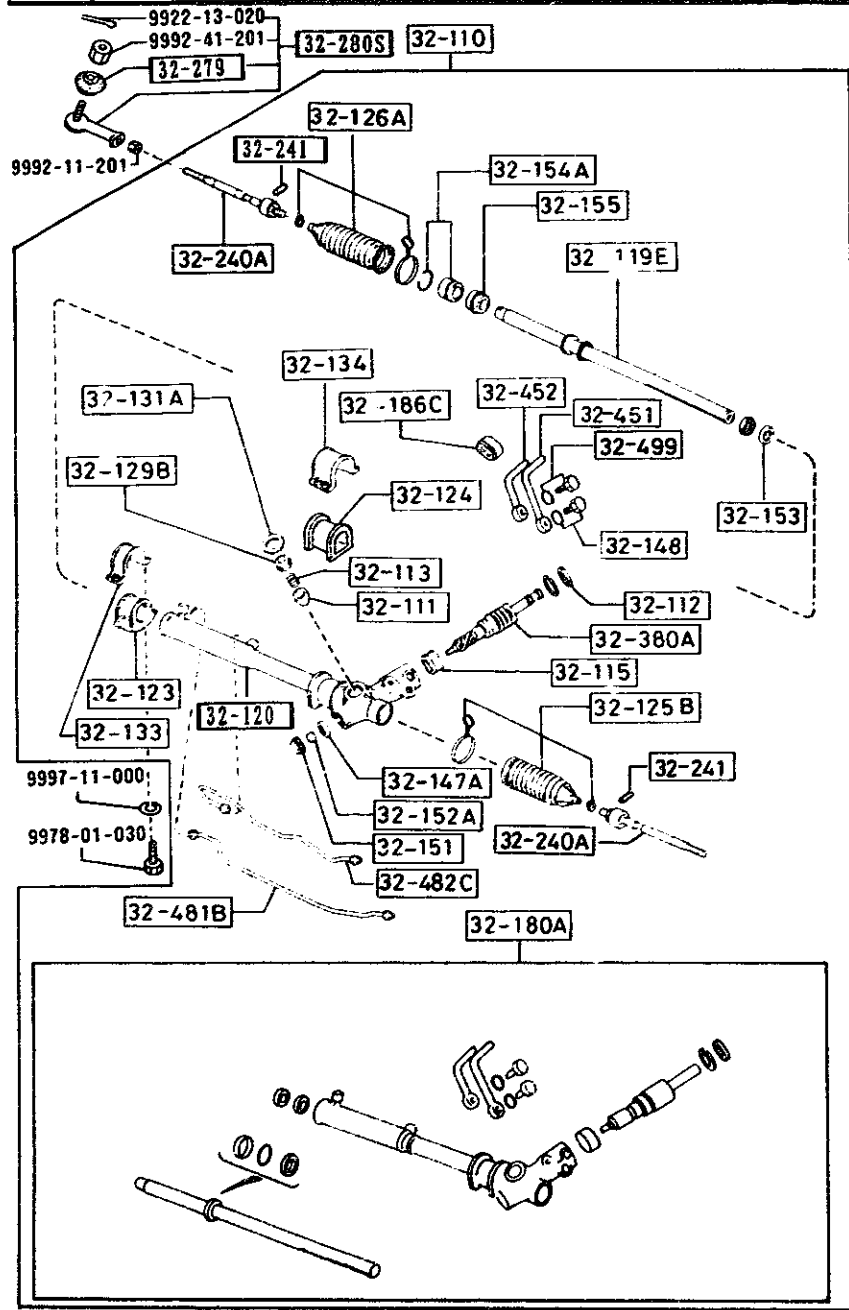
PART NO.	QTY	MODEL/RESTRICTION	MODEL/RESTRICTION	MODEL/RESTRICTION	FROM TO
CONT'D FB05-32-131	1				
32-133		PLATE, CLAMP			
FB05-32-133	1				
32-134		PLATE, CLAMP			
FB01-32-134	1				
32-147A		BEARING, PINION			
FB05-32-147	1				
32-148		EYE BOLT KIT, ST. GEAR			
FB78-32-498	1				
32-151		COVER, END			
FB05-32-151	2				
32-152A		NUT, ADJUST			
FB05-32-152	1				
32-153		RING, BACK UP			
FB05-32-153	1				
32-154A		HOLDER, STEERING GEAR			
FB05-32-154	1				
32-155		BUSH, RUBBER			
FB05-32-155	1				
32-180A		SEAL KIT, ST. GEAR			
FB05-32-180	1				
32-186C		CLIP KIT, ST. GEAR			
FB05-32-186	1				
32-240A		JOINT, BALL			
FB01-32-240A	2				
32-241		PIN, SPRING-STEERING GEAR			
FB01-32-241	2				

AUFA02

CAT. AUFA02-06

1992-05

3220 B STEERING GEAR
 (W/ POWER STEERING-VELOCITY SENSOR)
 (GTUS, '90-GXL, TURBO, '89-CONV, '90-CONV-W/AIR BAG)



3220 B-3 STEERING GEAR
 (W/ POWER STEERING-VELOCITY SENSOR)
 (GTUS, '90-GXL, TURBO, '89-CONV, '90-CONV-W/AIR BAG)

PART NO.	QTY	MODEL/RESTRICTION	MODEL/RESTRICTION	MODEL/RESTRICTION	FROM-TO
32-279		SEAL, DUST-BALL JOINT			
8021-32-279	2				
32-280S		JOINT SET, BALL			
8AF1-32-280	2				
32-380A		VALVE, ST. GEAR			
FB05-32-380	1				
32-451		PIPE 'A', ST. GEAR			
FB05-32-451	1				
32-452		PIPE 'B', ST. GEAR			
FB05-32-452A	1				
32-481B		PIPE 'A', CYLINDER			
FB05-32-481 A (FB05-32-481A)	1				-9404
FB05-32-481A	1				9404-
32-482C		PIPE 'B', CYLINDER			
FB05-32-482	1				
32-499		EYE BOLT KIT, ST. GEAR			
FB78-32-499	1				

9404 FCSMHH-705483

CAT. AUFA02-06

1992-05

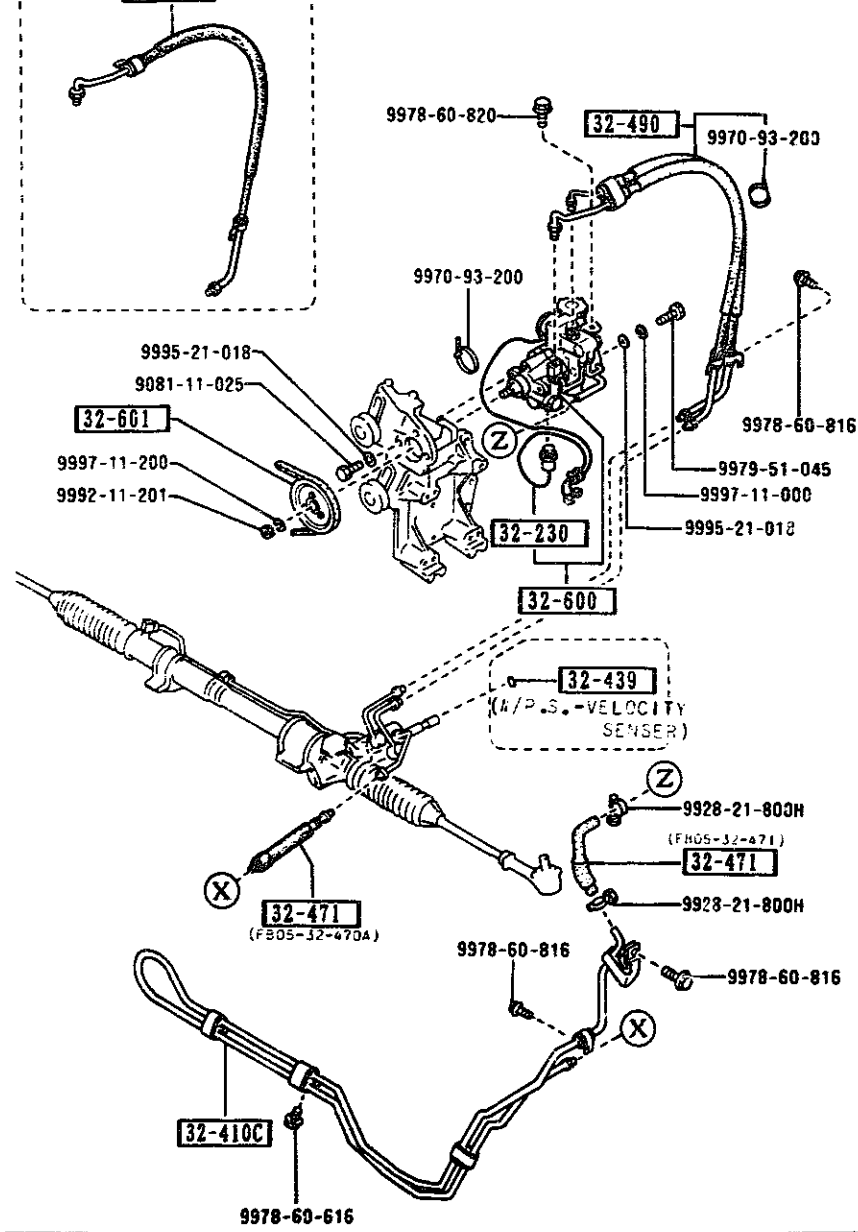
SECTION NAME INDEX (CHASSIS)

LO.NO	SEC.NO	SECTION NAME	LO.NO	SEC.NO	SECTION NAME	LO.NO	SEC.NO	SECTION NAME
2-C03	2505	REAR PROPELLER SHAFT	2-M08	4140	CLUTCH RELEASE & MASTER CYLINDERS (MANUAL TRANSMISSION)			
2-J3	2550	REAR DRIVE SHAFT	2-C09	4145	CLUTCH PIPINGS (MANUAL TRANSMISSION)			
2-E03	2600	REAR AXLE	2-D09	4160	ACCELERATOR CONTROL SYSTEM			
2-G03	2610	REAR BRAKE MECHANISMS	2-E09	4200	FUEL TANK			
2-K03	2710	REAR DIFFERENTIALS (NORMAL DIFF.)	2-H09	4300	CLUTCH & BRAKE PEDALS (MANUAL TRANSMISSION)			
2-C04	2710 A	REAR DIFFERENTIALS (LIMITED SLIP DIFF.)	2-K09	4300A	BRAKE PEDALS (AUTOMATIC TRANSMISSION)			
2-H04	2800	REAR SUSPENSION MECHANISMS	2-M09	4340	BRAKE MASTER CYLINDER & POWER BRAKE (W/O TURBO)			
2-J04	2801	REAR SPRING & DAMPER	2-C10	4340 A	BRAKE MASTER CYLINDER & POWER BRAKE (TURBO)			
2-K04	2810	REAR STABILIZER	2-E10	4360	BRAKE PIPINGS (W/O TURBO)			
2-L04	2830	REAR LOWER ARMS & SUB FRAME	2-G10	4360 A	BRAKE PIPINGS (TURBO)			
2-H04	3200	STEERING WHEEL (W/O AIR BAG)	2-J10	4370	ANTILOCK BRAKE SYSTEM (TURBO)			
2-E05	3200 A	STEERING WHEEL (W/ AIR BAG)	2-N10	4400	PARKING BRAKE SYSTEM			
2-G05	3210	STEERING COLUMN & SHAFTS	2-D11	4500	FUEL PIPINGS			
2-I05	3220 A	STEERING GEAR (W/ POWER STEERING:ENGINE REVOLUTION PER MINUTE SENSOR) (GTU, '90-GX L, '90-CONV-W/O AIR BAG)	2-H11	4600	CHANGE CONTROL SYSTEM (AT)			
2-L05	3220 B	STEERING GEAR (W/ POWER STEERING:VELOCITY SENSOR) (GTUS, '90-GXL, TURBO, '89-CONV, '90-CONV-W/AIR BAG)						
2-C06	3240	POWER STEERING SYSTEM						
2-F06	3300	FRONT AXLE						
2-H06	3310	FRONT BRAKE MECHANISMS						
2-K06	3400	FRONT SUSPENSION MECHANISMS						
2-M06	3401	FRONT SPRING & DAMPER						
2-N06	3410	CROSSMEMBER & STABILIZER						
2-C07	3700	TIRES & JACK						
2-C08	3900	ENGINE & T/MISSION MOUNTINGS (MT)						
2-D08	3900A	ENGINE & T/MISSION MOUNTINGS (AT)						
2-E08	4000	EXHAUST SYSTEM (W/O TURBO)						
2-I08	4000 A	EXHAUST SYSTEM (TURBO)						

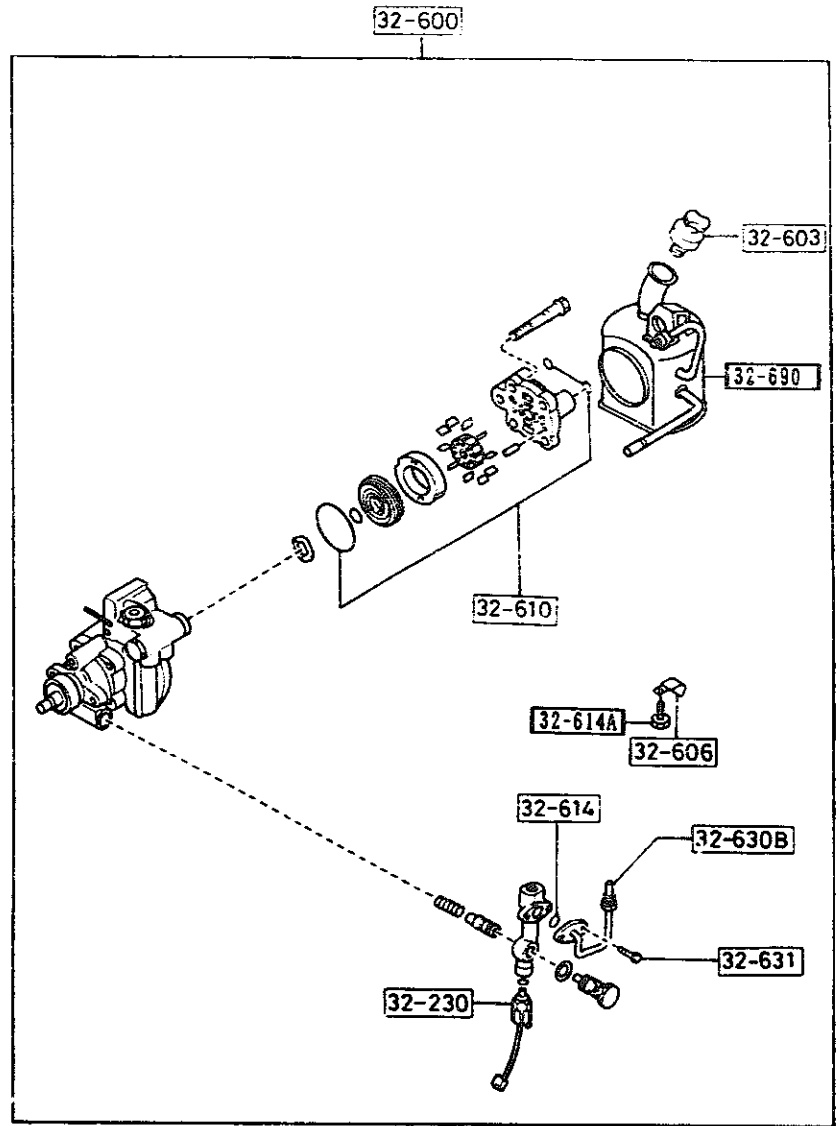


(THIS ILLUSTRATION CONSISTS OF 2 PAGES)

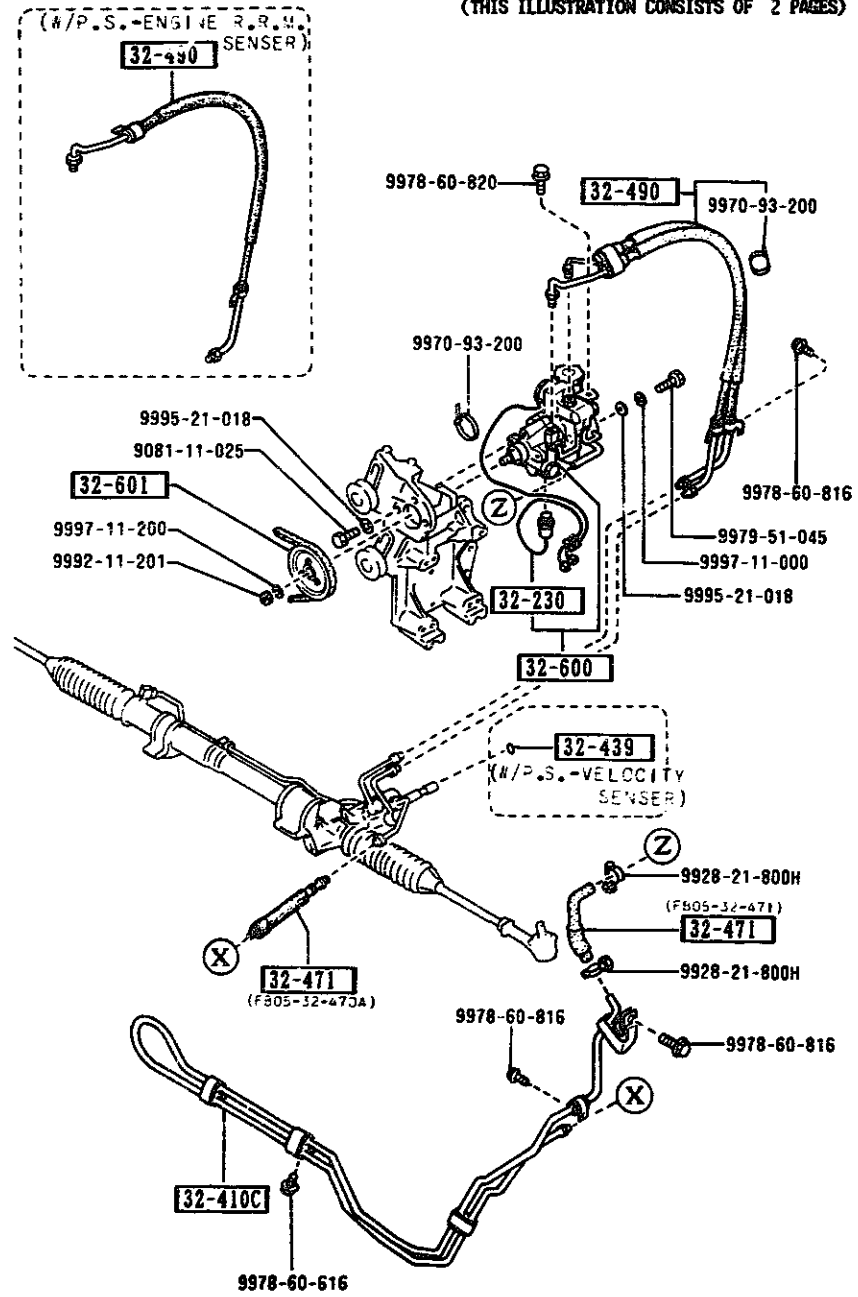
(W/P.S.-ENGINE R.R.M. SENSER)



(THIS ILLUSTRATION CONSISTS OF 2 PAGES)

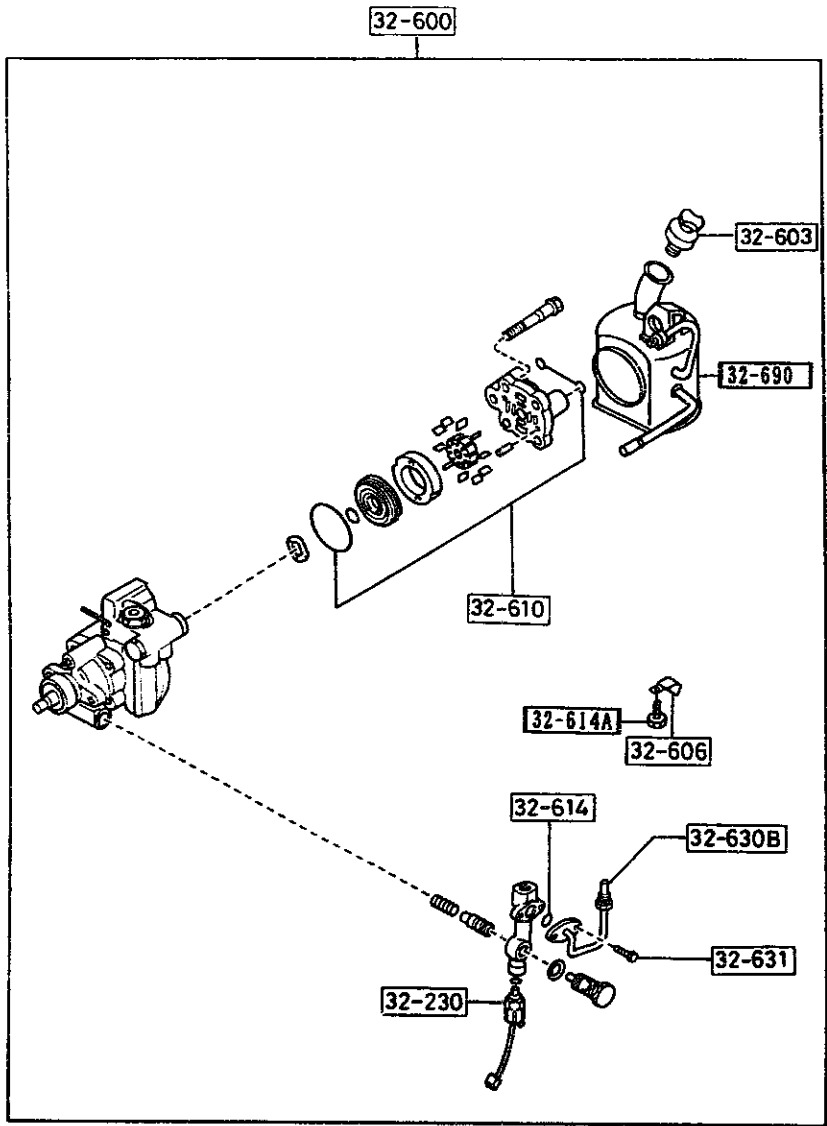


(THIS ILLUSTRATION CONSISTS OF 2 PAGES)



PART NO.	QTY	MODEL/RESTRICTION	MODEL/RESTRICTION	MODEL/RESTRICTION	FROM-TO
32-230		SENSOR, STEERING PRESSURE			
FC01-32-230	1	(W/P.S.-ENGINE R.P.M. SENSOR)			
FC02-32-230A	1	(W/P.S.-VELOCITY SENSOR)			
32-410C		PIPE, RETURN			
FC01-32-410	1				
32-439		RING, 'D'-ST. GEAR			
FB78-32-439	1	(W/P.S.-VELOCITY SENSOR)			
32-471		HOSE, RETURN			
FB05-32-470A	1				
FB05-32-471	1				
32-490		HOSE, PRESSURE			
FB05-32-490D A (FB05-32-490E)	1				-9701
FC01-32-490 A (FC01-32-490A)	1				-9701
FB05-32-490E	1	(W/P.S.-VELOCITY SENSOR)			9701-
FC01-32-490A	1	(W/P.S.-ENGINE R.P.M. SENSOR)			9701-
32-600		PUMP, VANE			
FC01-32-600A	1	(W/P.S.-ENGINE R.P.M. SENSOR)			
FC02-32-600A	1	(W/P.S.-VELOCITY SENSOR)			
32-601		PULLEY, VANE PUMP			
FB05-32-620	1				
32-603		CAP, FILLER			
FB78-32-611	1				
32-606		CLIP			
FB05-32-642	1				
32-610		SEAL KIT, VANE PUMP			
9701 FC3MXX-709151					

(THIS ILLUSTRATION CONSISTS OF 2 PAGES)



PART NO.	QTY	MODEL/RESTRICTION	MODEL/RESTRICTION	MODEL/RESTRICTION	FROM-TO
CONT'D					
FB78-32-610A	1	(W/P.S.-VELOCITY SENSOR)			
FC01-32-610	1	(W/P.S.-ENGINE R.P.M. SENSOR)			
32-614		RING, VANE PUMP			
FB05-32-632	1				
32-614A		BOLT			
FB78-32-614	2				
32-630B		PIPE, VANE PUMP			
FB78-32-630	1	(W/P.S.-VELOCITY SENSOR)			
32-531		BOLT, VANE PUMP			
FB05-32-631	2				
32-690		TANK, VANE PUMP			
FB78-32-690	1	(W/P.S.-VELOCITY SENSOR)			
FC01-32-690	1	(W/P.S.-ENGINE R.P.M. SENSOR)			

FROM-TO

-9905

05-

-9905

1992-05

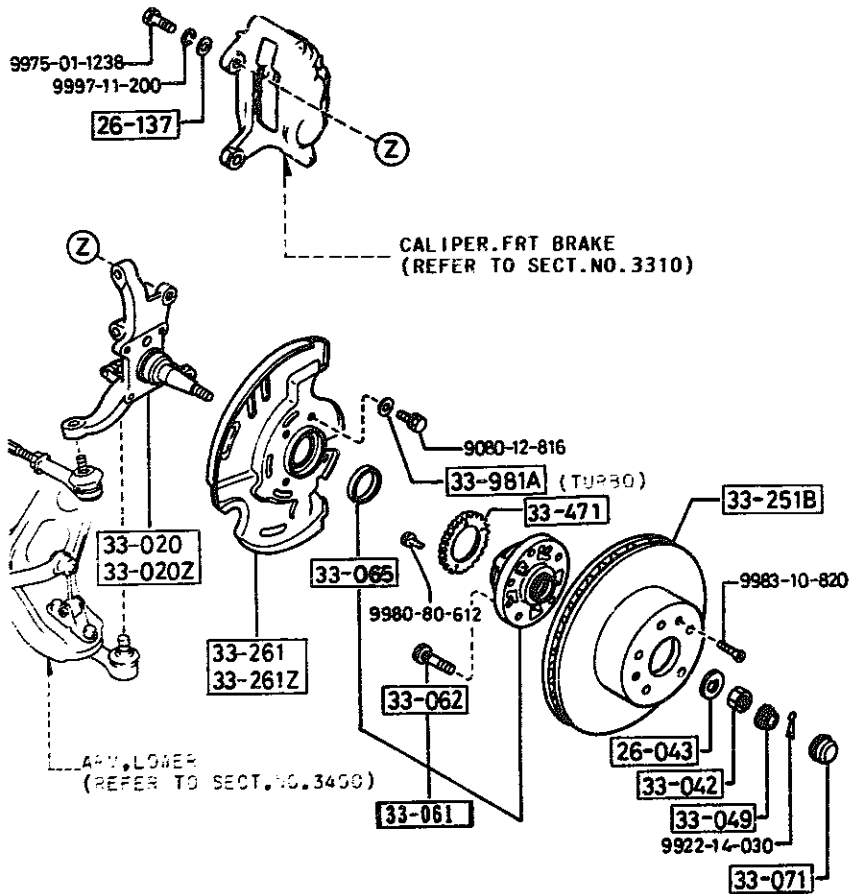
AUFA02

CAT. AUFA02-06

1992-05

3300 FRONT AXLE

3300 -1 FRONT AXLE

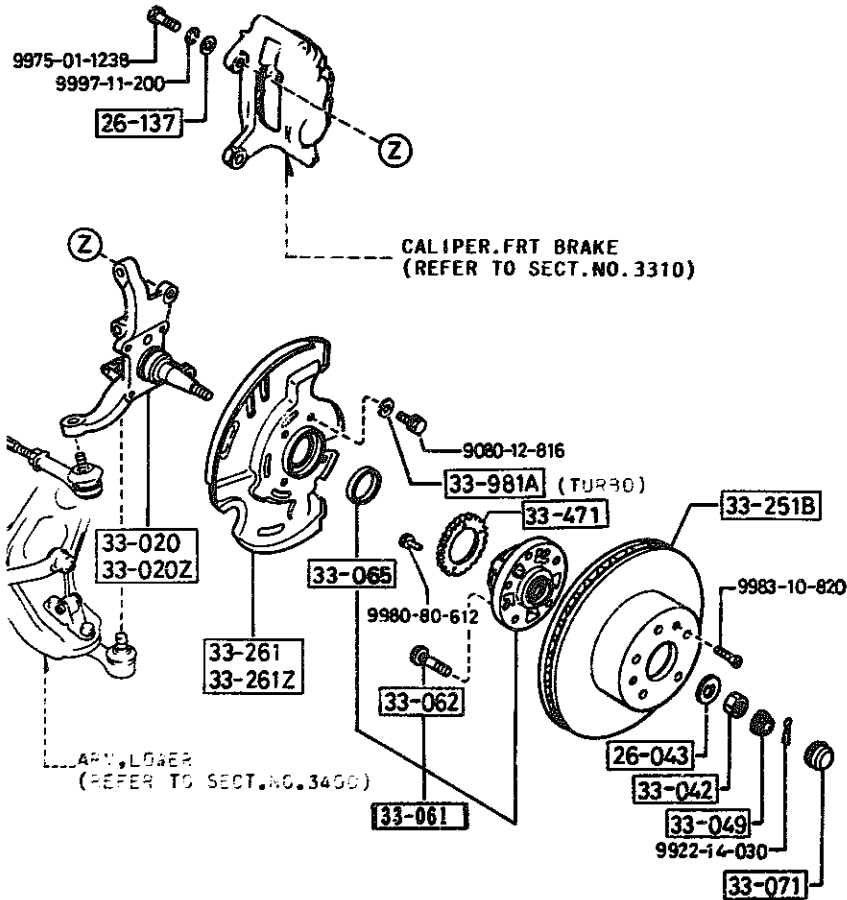


PART NO.	QTY	MODEL/RESTRICTION	MODEL/RESTRICTION	MODEL/RESTRICTION	FROM-TO
26-043		WASHER, CLAW			
1011-33-043	2				
26-137		WASHER, PLAIN-LOWER ARM			
FB01-26-137	4	((CPE)>(W/D A.A.SUSP)>>(L.S.DIFF)) ((CPE)>(A.A.SUSP)) (CONVERTIBLE)			
33-020		KNUCKLE (R), STEERING			
FB01-33-021B	1	(W/O TURBO)			
FB01-33-021B	1	(TURBO)			
33-020Z		KNUCKLE (L), STEERING			
FB01-33-031B	1	(W/O TURBO)			
FB01-33-031B	1	(TURBO)			
33-042		NUT			
0662-33-042	2				
33-049		COVER, SET			
0662-33-049	2				
33-061		HUB, WHEEL			
FB05-49-060D	2				-9201
A (FB05-49-060E)					
FB05-49-060E	5	HUB BOLT			9201-
33-062		BOLT, HUB			
FB05-26-113A	10				
33-065		SEAL, OIL-AXLE			
FB01-33-065A	2				
33-071		CAP, HUB			
FB01-33-071A	2				
33-251B		PLATE, HUB/DISK			
FB05-33-251	2				
33-261		COVER (R), DUST			

9201 FC3***-701886

3300 FRONT AXLE

3300 -2 * FRONT AXLE



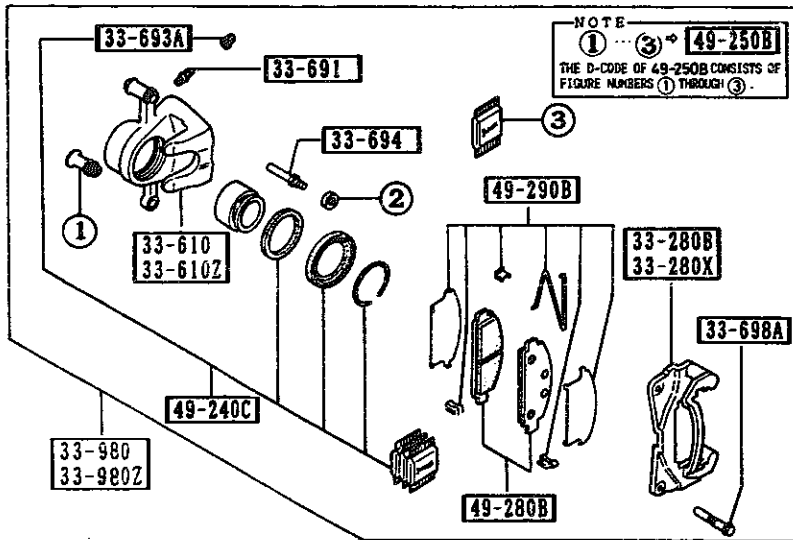
PART NO.	QTY	MODEL/RESTRICTION	MODEL/RESTRICTION	MODEL/RESTRICTION	FROM TO
CONT'D FB05-33-260B	1				
33-261Z		COVER(L), DUST			
FB05-33-270B	1				
33-471		ROTOR, SENSOR-FRT A.B			
F048-33-471	2	(TURBO)			
33-981A		WASHER, PLAIN-DUST CO			
FB01-33-981	8	VER			

AUFA02

CAT. AUFA02-06

1992-05

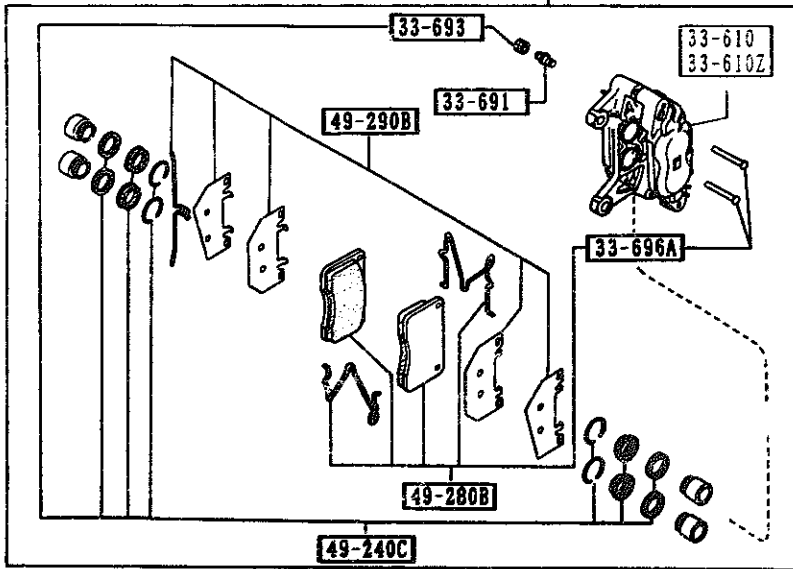
3310 FRONT BRAKE MECHANISMS



((CPE)>(W/O A.A.SUSP)>(NOR.DIFF))
 THOUGH ILLUSTRATIONS OF D-CODE 49-240C, 49-250B, 49-280B AND 49-290B AND 49-280B ARE FOR LEFT SIDE ONLY, QUANTITIES OF THESE D-CODES IN THE TEXT ARE FOR ONE VEHICLE.

(CONVERTIBLE)
 ((CPE)>(W/O A.A.SUSP)>(L.S.DIFF))
 ((CPE)>(A.A.SUSP))

33-980
 33-980Z



THOUGH ILLUSTRATIONS OF D-CODE 49-240C, 49-280B AND 49-290B ARE FOR LEFT SIDE ONLY, QUANTITIES OF THESE D-CODES IN THE TEXT ARE FOR ONE VEHICLE.

AUFA02

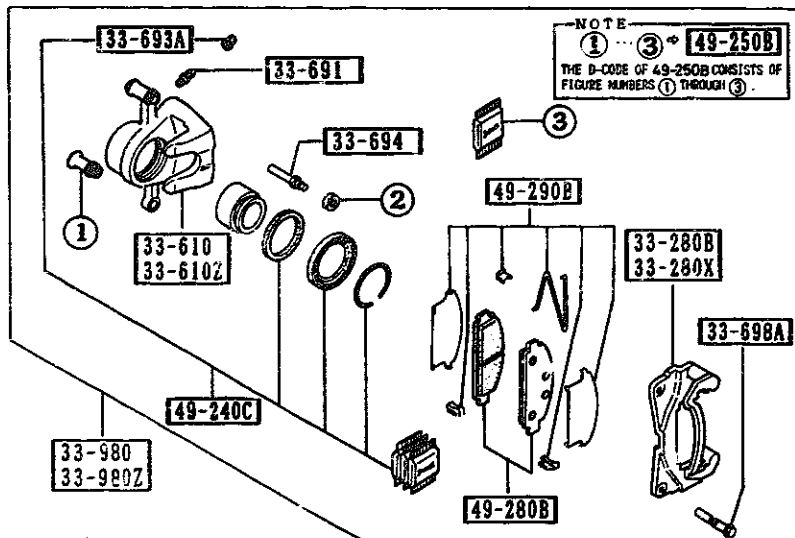
PART NO.	QTY	MODEL/RESTRICTION	MODEL/RESTRICTION	MODEL/RESTRICTION	FROM-TO
FC01-33-281	1	SUPPORT(R), MOUNTING >>(CPE)>(W/O A.A.SUSP) >>(NOR.DIFF)			
FC01-33-291	1	SUPPORT(L), MOUNTING >>(CPE)>(W/O A.A.SUSP) >>(NOR.DIFF)			
FB05-33-610B	1	BODY & PISTON(R), CALIPER >>(CPE)>(W/O A.A.SUSP) >>(L.S.DIFF) >>(CPE)>(A.A.SUSP) (CONVERTIBLE)			
FC01-33-610	1	((CPE)>(W/O A.A.SUSP) >>(NOR.DIFF))			
FB05-33-710B	1	BODY & PISTON(L), CALIPER >>(CPE)>(W/O A.A.SUSP) >>(L.S.DIFF) >>(CPE)>(A.A.SUSP) (CONVERTIBLE)			
FC01-33-710	1	((CPE)>(W/O A.A.SUSP) >>(NOR.DIFF))			
FB05-33-691A	2	SCREW, BLEEDER >>(CPE)>(W/O A.A.SUSP) >>(L.S.DIFF) >>(CPE)>(A.A.SUSP) (CONVERTIBLE)			
0233-33-691	2	((CPE)>(W/O A.A.SUSP) >>(NOR.DIFF))			
FB05-33-693	2	CAP, RUBBER >>(CPE)>(W/O A.A.SUSP) >>(L.S.DIFF) >>(CPE)>(A.A.SUSP) (CONVERTIBLE)			
0259-33-693	2	CAP, BLEEDER SCREW >>(CPE)>(W/O A.A.SUSP) >>(NOR.DIFF)			
FC01-33-694	2	PIN, GUIDE-FRT CALIPER >>(CPE)>(W/O A.A.SUSP) >>(NOR.DIFF)			
FB05-33-696B	4	PIN, PAD-FRONT BRAKE >>(CPE)>(W/O A.A.SUSP)			

CAT. AUFA02-06

1992-05

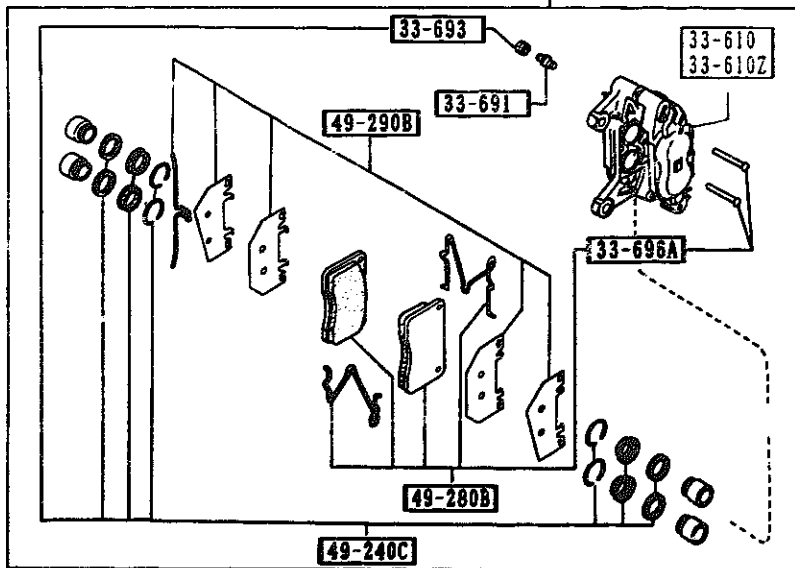
3310 FRONT BRAKE MECHANISMS

3310 -2 FRONT BRAKE MECHANISMS



((CPE))>(W/O A.A.SUSP)>(NOR.DIFF))
 THROUGH ILLUSTRATIONS OF D-CODE 49-240C, 49-250B, 49-280B AND 49-290B AND 49-280B ARE FOR LEFT SIDE ONLY, QUANTITIES
 OF THESE D-CODES IN THE TEXT ARE FOR ONE VEHICLE.

(CONVERTIBLE)
 ((CPE))>(W/O A.A.SUSP)>(L.S.DIFF))
 ((CPE))>(A.A.SUSP))



THROUGH ILLUSTRATIONS OF D-CODE 49-240C, 49-280B AND 49-290B ARE FOR LEFT SIDE ONLY, QUANTITIES
 OF THESE D-CODES IN THE TEXT ARE FOR ONE VEHICLE.

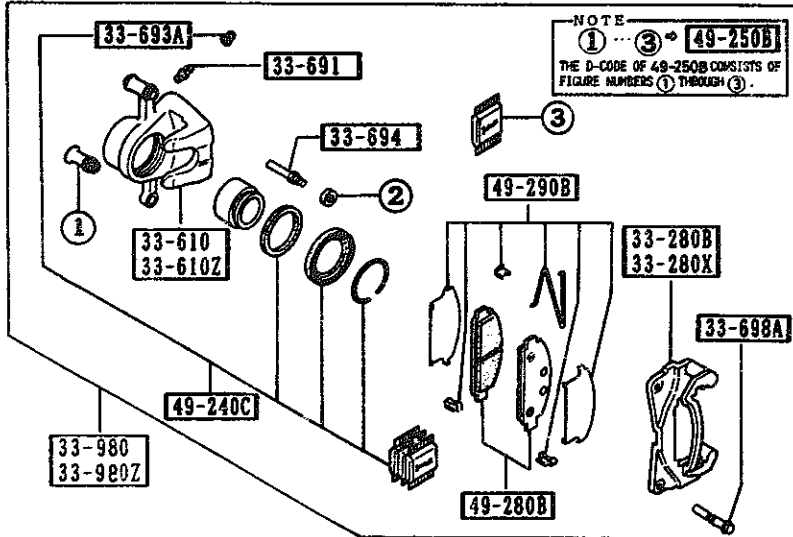
AUFA02

PART NO.	QTY	MODEL/RESTRICTION	MODEL/RESTRICTION	MODEL/RESTRICTION	FROM-TO
CONT'D					
		>>(L.S.DIFF)) >>(CPE)>(A.A.SUSP)) >>(CONVERTIBLE)			
33-698A		PIN			
FA66-35-699	2	((CPE))>(W/O A.A.SUSP) >>(NOR.DIFF))			
33-980		CALIPER(R), FRT BRAKE			
*FC01-33-980	1	((CPE))>(W/O A.A.SUSP) >>(NOR.DIFF))			
*FC02-33-980A	1	((CPE))>(W/O A.A.SUSP) >>(L.S.DIFF)) >>(CPE)>(A.A.SUSP)) (CONVERTIBLE)			
33-980Z		CALIPER(L), FRT BRAKE			
*FC01-33-990	1	((CPE))>(W/O A.A.SUSP) >>(NOR.DIFF))			
*FC02-33-990A	1	((CPE))>(W/O A.A.SUSP) >>(L.S.DIFF)) >>(CPE)>(A.A.SUSP)) (CONVERTIBLE)			
49-240C		SEAL KIT, CALIPER-FRT			
FB05-49-240	1	((CPE))>(W/O A.A.SUSP) >>(L.S.DIFF)) >>(CPE)>(A.A.SUSP)) (CONVERTIBLE)			
B212-33-24Z	1	((CPE))>(W/O A.A.SUSP) >>(NOR.DIFF))			-9301
8341-49-240	1	((CPE))>(W/O A.A.SUSP) >>(NOR.DIFF))			9301-
49-250B		BOOT KIT, FRT CALIPER			
FA66-49-250	1	((CPE))>(W/O A.A.SUSP) >>(NOR.DIFF))			
49-280B		PAD SUB SET, FRT CALI PER ASBESTOS			
FC02-33-28Z	1	((CPE))>(W/O A.A.SUSP) >>(L.S.DIFF)) >>(CPE)>(A.A.SUSP)) (CONVERTIBLE)			
FA66-49-280	1	ASBESTOS ((CPE))>(W/O A.A.SUSP) >>(NOR.DIFF))			
49-290B		ATTACHMENT, PAD-FRONT			
9301 FCSNM-704194					

CAT. AUFA02-06

1992-05

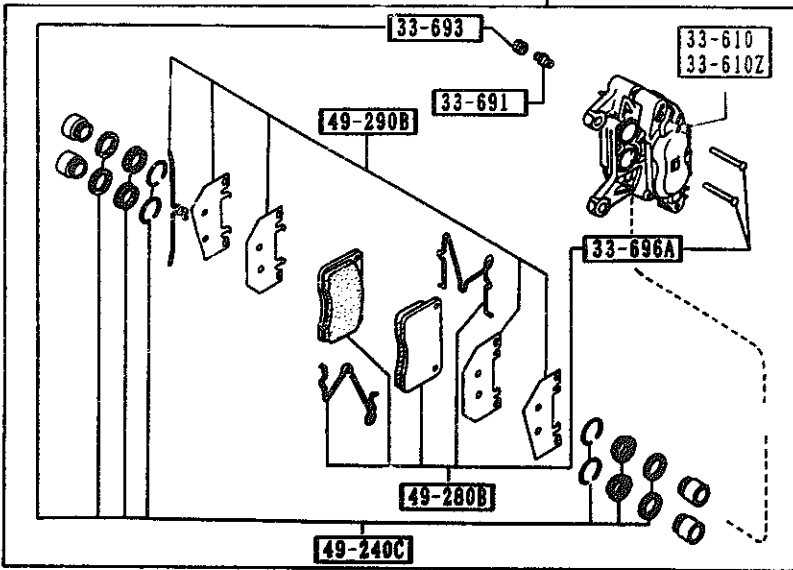
3310 FRONT BRAKE MECHANISMS



((CPE)>(W/O A.A.SUSP)>(NOR.DIFE))
 THOUGH ILLUSTRATIONS OF D-CODE 49-240C, 49-250B, 49-280B AND 49-290B ARE FOR LEFT SIDE ONLY, QUANTITIES
 OF THESE D-CODES IN THE TEXT ARE FOR ONE VEHICLE.

((CONVERTIBLE)
 ((CPE)>(W/O A.A.SUSP)>(L.S.DIFE))
 ((CPE)>(A.A.SUSP))

33-980
 33-980Z



THOUGH ILLUSTRATIONS OF D-CODE 49-240C, 49-280B AND 49-290B ARE FOR LEFT SIDE ONLY, QUANTITIES
 OF THESE D-CODES IN THE TEXT ARE FOR ONE VEHICLE.

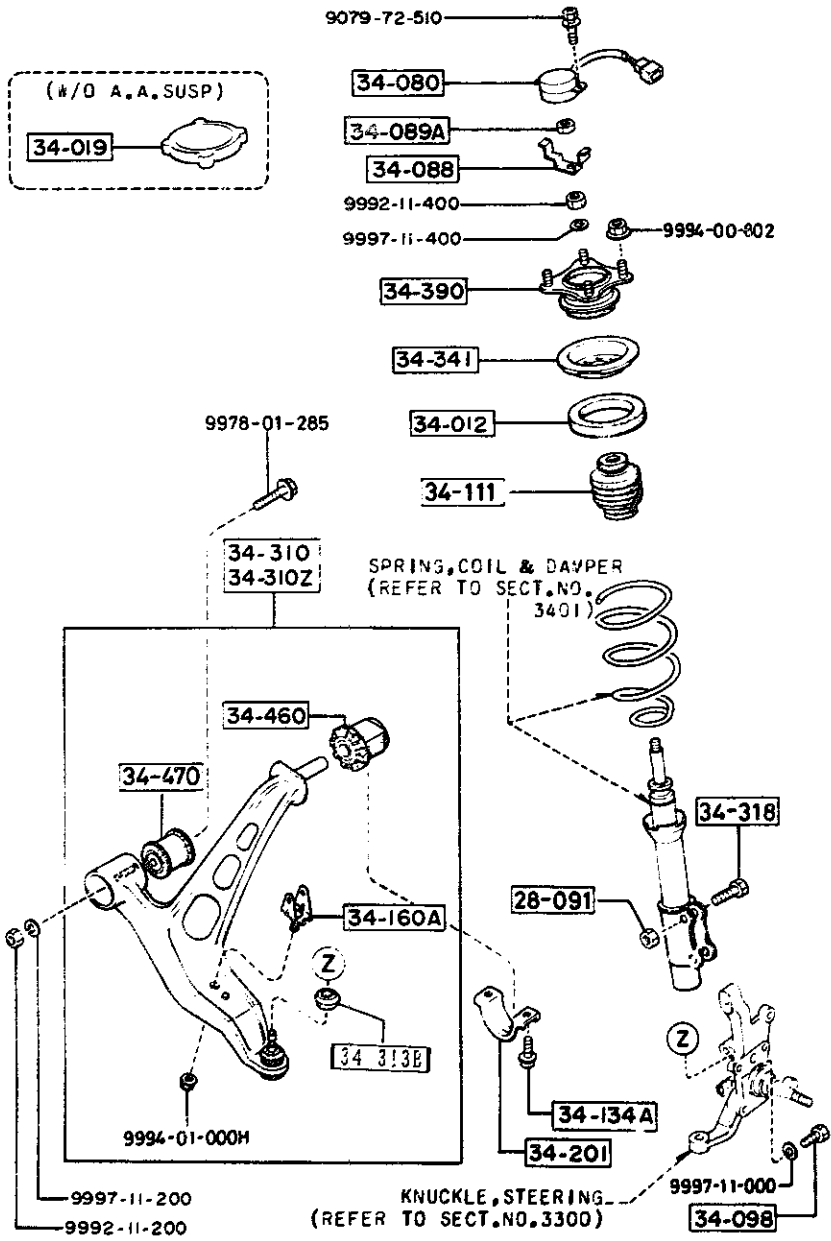
AUFA02

PART NO.	QTY	MODEL/RESTRICTION	MODEL/RESTRICTION	MODEL/RESTRICTION	FROM-TO
CONT'D FCY1-33-29Z	1	((CPE)>(W/O A.A.SUSP >>(NOR.DIFF))			
FB05-49-290B	1	((CPE)>(W/O A.A.SUSP >>(L.S.DIFF)) ((CPE)>(A.A.SUSP)) (CONVERTIBLE)			

CAT. AUFA02-06

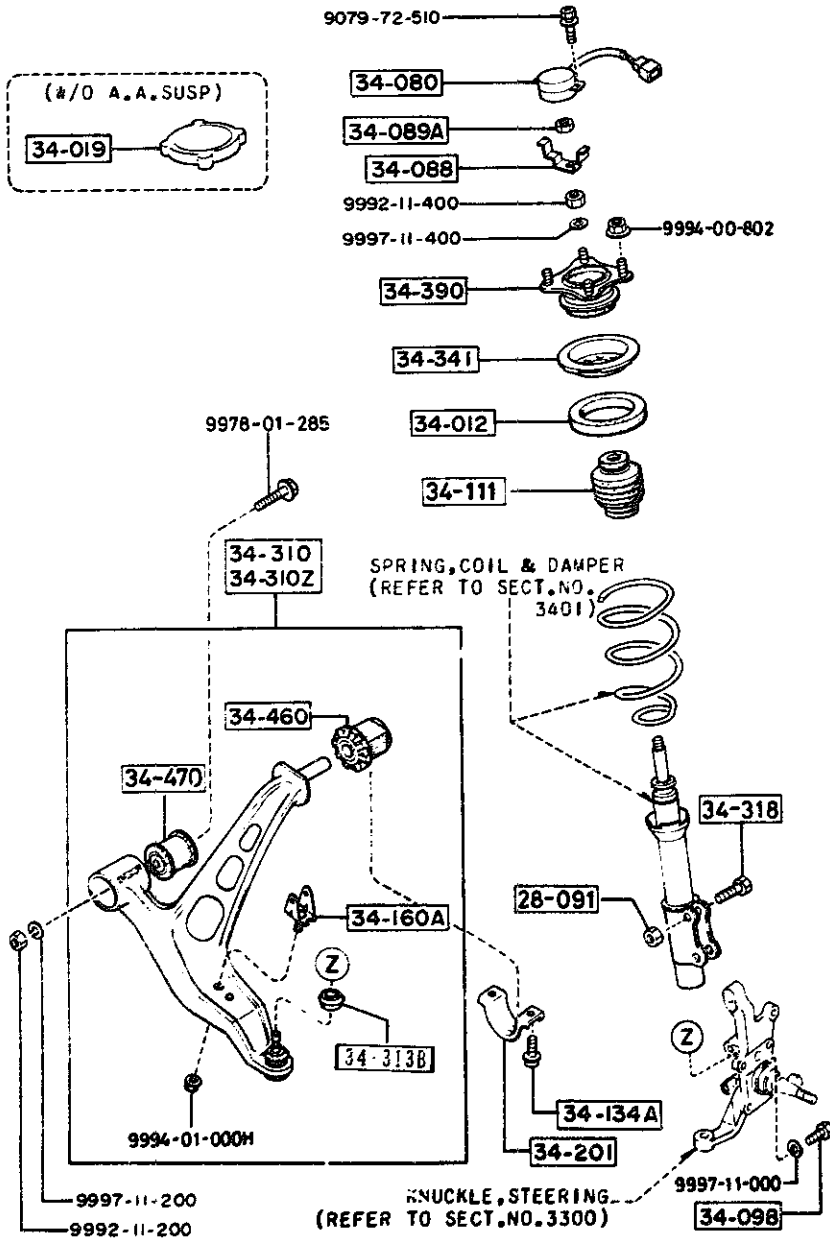
1992-05

2-J 6



PART NO.	QTY	MODEL/RESTRICTION	MODEL/PECTRICTION	MODEL/PECTRICTION	FROM TO
28-091		NUT			
H266-28-091	4				
34-012		SHEET, RUBBER			
FB01-34-012	2				
34-019		CAP, DAMPER			
FB01-34-019	2	(W/O A.A.SUSP)			
34-080		ACTUATOR			
FC04-34-080	2	(A.A.SUSP)			
34-088		PLATE SET			
H126-34-088A	2	(A.A.SUSP)			
34-089A		NUT			
G054-34-089A	2	(A.A.SUSP)			
34-098		BOLT			
FB01-34-098	2				
34-111		BUMPER, BOUND			
FB01-34-111A	2				
34-134A		BOLT, TENSION ROD			
8871-34-134A	4				
34-160A		BRACKET, STABILIZER			
FC01-34-160	2				
34-201		BRACKET, LWR ARM			
FC01-34-201	2				
34-310		ARM(R), LOWER			
FC02-34-300	1				
34-310Z		ARM(L), LOWER			
FC02-34-350	1				
34-313B		BOOT, BALL JOINT-LWR ARM			
FC02-34-313	2				

3400 FRONT SUSPENSION MECHANISMS



PART NO.	QTY	MODEL/RESTRICTION	MODEL/RESTRICTION	MODEL/RESTRICTION	FROM-TO
34-318	4	BOLT, FLANGE-ST KNUCKLE			
M260-34-318					
34-341	2	SHEET, SPRING			
F801-34-341					
34-390	2	RUBBER, MOUNTING			
F801-34-380B A (F801-34-380C)					
F801-34-380C					
34-460	2	BUSH, RUBBER-LWR ARM			
F801-34-460					
34-470	2	BUSHING, RUBBER-FRT			
F801-34-470					

9601 FC3MM-708021

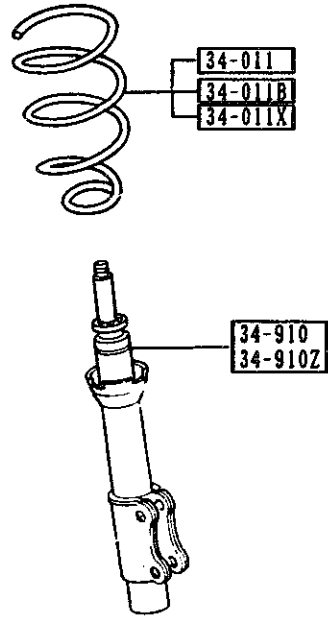
-9601
9601-

CAT. AUFA02-06

1992-05

3401 FRONT SPRING & DAMPER

3401 -1 * FRONT SPRING & DAMPER



D-CODE 34-011,34-011B,34-011X

	A.A. SUSP	L.S. DIFF	SPRING, COIL	
			RIGHT	LEFT
CPE	-	-	FC01-34-021	FB01-34-011B
	-	×	FB44-34-021	FB67-34-011
	×	-	FB44-34-021	FB67-34-011
CONVERTIBLE			FB67-34-011	FB67-34-021

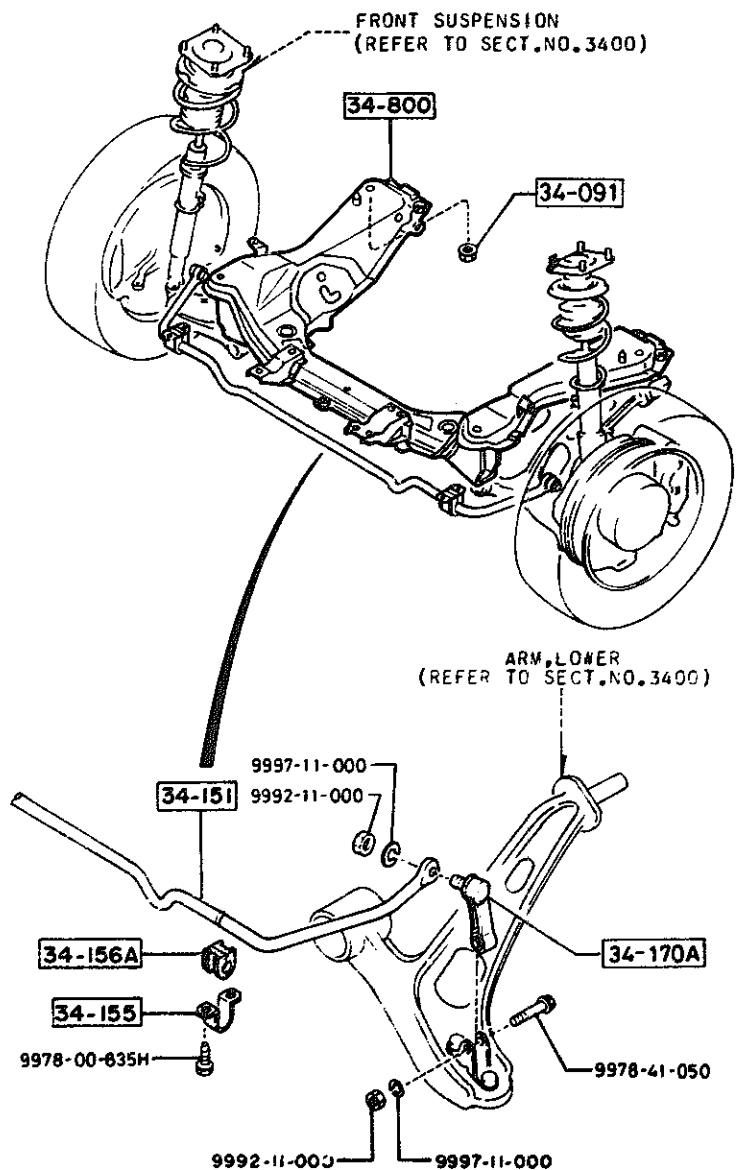
(CNTRL NO.2-10)

PART NO.	QTY	MODEL/RESTRICTION	MODEL/RESTRICTION	MODEL/RESTRICTION	FROM TO
34-011		SPRING, COIL-FRONT			
FC01-34-021	1	(REFER TO THE CHART IN THE ILLUSTRATION)			
34-011B		SPRING(R), COIL-FRONT			
FB01-34-011B	1	(REFER TO THE CHART IN THE ILLUSTRATION)			
FB67-34-011	1	(REFER TO THE CHART IN THE ILLUSTRATION)			
34-011X		SPRING(L), COIL-FRONT			
FB44-34-021	1	(REFER TO THE CHART IN THE ILLUSTRATION)			
FB67-34-021	1	(REFER TO THE CHART IN THE ILLUSTRATION)			
34-910		DAMPER(R), FRONT			
FB52-34-700A	1	(A.A.SUSP)			-9601
FB44-34-700B A (FB44-34-700C)	1				
FB44-34-700C	1	(W/O A.A.SUSP)			9601-
34-910Z		DAMPER(L), FRONT			
FB52-34-900A	1	(A.A.SUSP)			-9601
FB44-34-900B A (FB44-34-900C)	1				
FB44-34-900C	1	(W/O A.A.SUSP)			9601-

9601 FC3MM-708021

3410 CROSSMEMBER & STABILIZER

3410 -1 * CROSSMEMBER & STABILIZER



PART NO.	QTY.	MODEL/RESTRICTION	MODEL/RESTRICTION	MODEL/RESTRICTION	FROM-TO
34-091		NUT			
FB01-34-091	4				
34-151		STABILIZER, FRONT			
FC02-34-151	1	(W/O TURBO)			
FC02-34-151	1	(TURBO)			-9601
FC18-34-151	1	(TURBO)			9601-
34-155		PLATE, STABILIZER			
FB01-34-155	2				
34-156A		RUBBER, STAB -FRT			
FB43-34-156B	2				
34-170A		LINK, CONTROL-STAB			
FC01-34-170	2				
34-800		MEMBER, CROSS			
FB01-34-800G	1	(CPE)			
FB67-34-800C	1	(CONVERTIBLE)			
9601 FC3MM-708021					

AUFA02

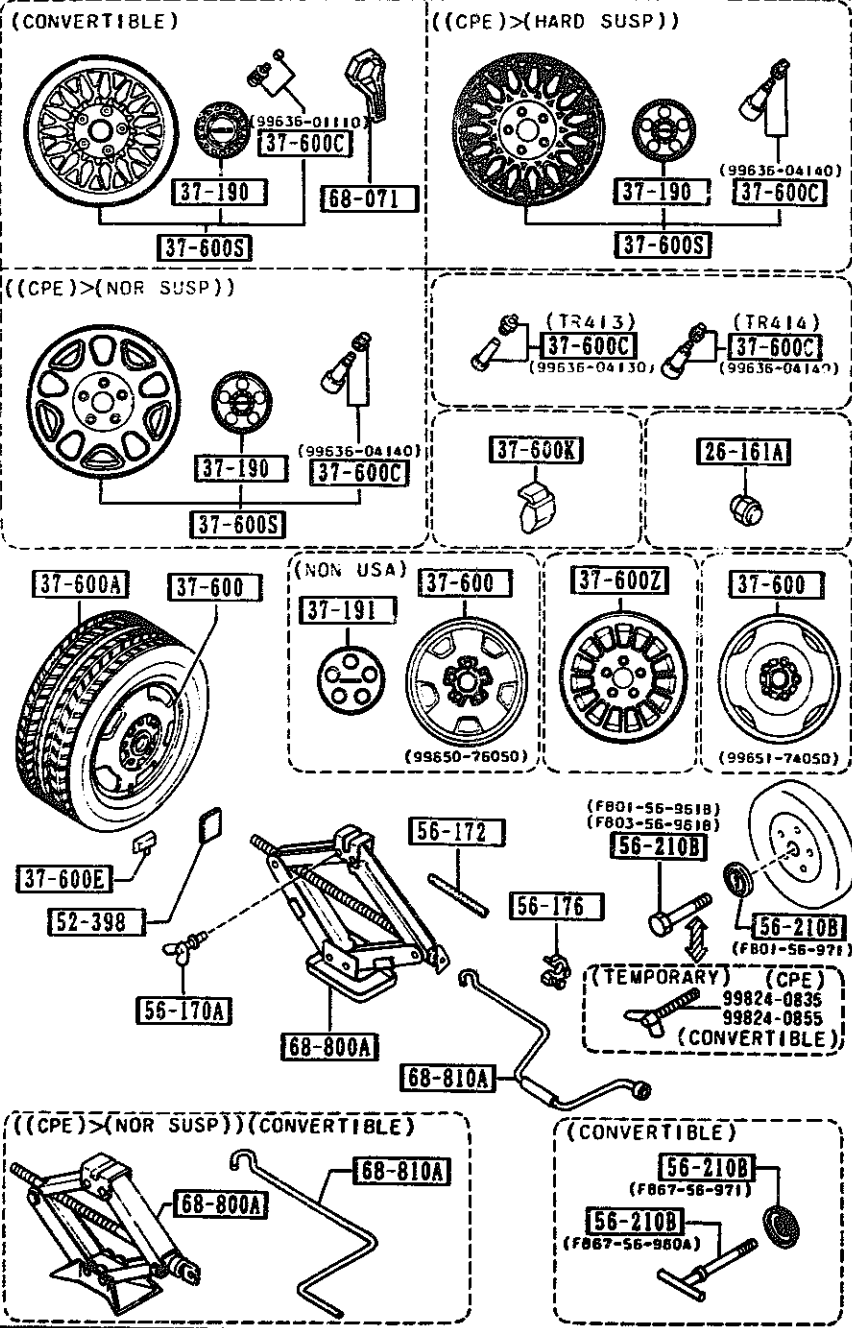
CAT. AUFA02-06

1992-05

SECTION NAME INDEX (CHASSIS)

LO.NO	SEC.NO	SECTION NAME	LO.NO	SEC.NO	SECTION NAME	LO.NO	SEC.NO	SECTION NAME
2-C03	2505	REAR PROPELLER SHAFT	2-M08	4140	CLUTCH RELEASE & MASTER CYLINDER EPS (MANUAL TRANSMISSION)			
2-D03	2550	REAR DRIVE SHAFT	2-C09	4145	CLUTCH PIPINGS (MANUAL TRANSMISSION)			
2-E03	2600	REAR AXLE	2-D09	4160	ACCELERATOR CONTROL SYSTEM			
2-G03	2610	REAR BRAKE MECHANISMS	2-E09	4200	FUEL TANK			
2-K03	2710	REAR DIFFERENTIALS (NORMAL DIFF.)	2-H09	4300	CLUTCH & BRAKE PEDALS (MANUAL TRANSMISSION)			
2-C04	2710 A	REAR DIFFERENTIALS (LIMITED SLIP DIFF.)	2-K09	4300A	BRAKE PEDALS (AUTOMATIC TRANSMISSION)			
2-H04	2800	REAR SUSPENSION MECHANISMS	2-M09	4340	BRAKE MASTER CYLINDER & POWER BRAKE (W/O TURBO)			
2-J04	2801	REAR SPRING & DAMPER	2-C10	4340 A	BRAKE MASTER CYLINDER & POWER BRAKE (TURBO)			
2-K04	2810	REAR STABILIZER	2-E10	4360	BRAKE PIPINGS (W/O TURBO)			
2-L04	2830	REAR LOWER ARMS & SUB FRAME	2-G10	4360 A	BRAKE PIPINGS (TURBO)			
2-N04	3200	STEERING WHEEL (W/O AIR BAG)	2-J10	4370	ANTILOCK BRAKE SYSTEM (TURBO)			
2-E05	3200 A	STEERING WHEEL (W/ AIR BAG)	2-N10	4400	PARKING BRAKE SYSTEM			
2-G05	3210	STEERING COLUMN & SHAFTS	2-D11	4500	FUEL PIPINGS			
2-I05	3220 A	STEERING GEAR (W/ POWER STEERING:ENGINE REVOLUTION PER MINUTE SENSOR) (GTU, '90-GX L, '90-CONV-W/O AIR BAG)	2-H11	4600	CHANGE CONTROL SYSTEM (AT)			
2-L05	3220 B	STEERING GEAR (W/ POWER STEERING:VELOCITY SENSOR) (GTUS, '90-G XL, TURBO, '89-CONV, '90-CONV-W/A IR BAG)						
2-C06	3240	POWER STEERING SYSTEM						
2-F06	3300	FRONT AXLE						
2-H06	3310	FRONT BRAKE MECHANISMS						
2-K06	3400	FRONT SUSPENSION MECHANISMS						
2-M06	3401	FRONT SPRING & DAMPER						
2-N06	3410	CROSSMEMBER & STABILIZER						
2-C07	3700	TIRES & JACK						
2-C08	3900	ENGINE & T/MISSION MOUNTINGS (MT)						
2-D08	3900A	ENGINE & T/MISSION MOUNTINGS (AT)						
2-E08	4000	EXHAUST SYSTEM (W/O TURBO)						
2-I08	4000 A	EXHAUST SYSTEM (TURBO)						

3700 TIRES & JACK



3700 -1 TIRES & JACK

PART NO.	QTY	MODEL/RESTRICTION	MODEL/RESTRICTION	MODEL/RESTRICTION	FROM-TO
26-161A		NUT,HUB			
0603-26-161	20	NON BRIGHT			
37-190		CAP,CENTER			
F868-37-190	4	(CONVERTIBLE)			
FC02-37-190A	4	(CPE)			
37-191		CAP,WHEEL-HALF			
F045-37-170	4	NON USA,			
37-600		WHEEL,DISC-STEEL			
99650-76050	4	6JXX15 P=114/O=40 NON USA,			
99651-74050	1	4-TX15			
37-600A		TIRE			
90620-17635	1	T135/70D15 TEMPORARY			
90620-17636	1	T135/70D16 TEMPORARY			
90620-35706	4	205/55VR16 BS			
90620-65706	4	205/55R16			
90620-66705	4	205/60VR15 BS			
90623-06705	4	205/70R15 89H			
90623-46705	4	205/60VR15			
37-600C		VALVE,AIR			
99636-01110	4	TR111 (CONVERTIBLE)			
99636-04130	1	TR413			
99636-04140	4	TR414 (CPE)			
37-600E		WEIGHT,DISC WHEEL-ST EEL 5G			
99655-30005	4				

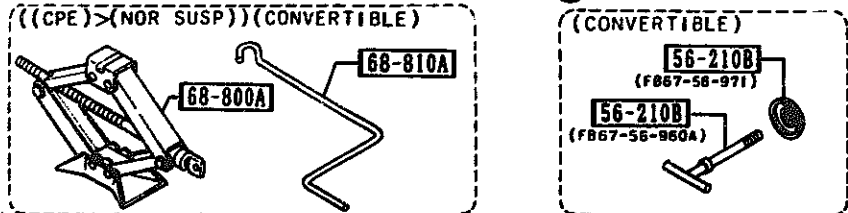
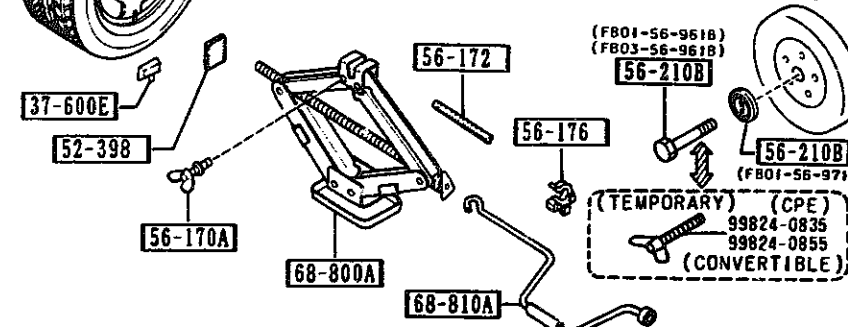
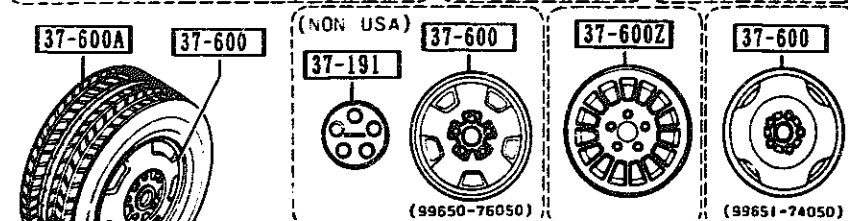
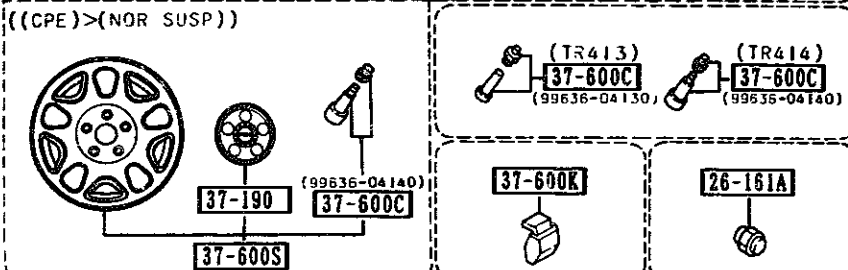
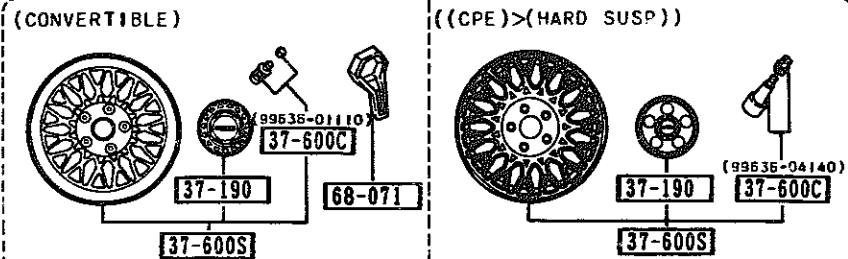
AUFA02

CAT. AUFA02-06

1992-05

0M-10

3700 TIRES & JACK



3700 -2 TIRES & JACK

PART NO.	QTY	MODEL/RESTRICTION	MODEL/RESTRICTION	MODEL/RESTRICTION	FROM-TO
CONT'D					
99655-30010	10G				
99655-30015	15G				
99655-30020	20G				
99655-30025	25G				
99655-30030	30G				
99655-30035	35G				
99655-30040	40G				
99655-30045	45G				
99655-30050	50G				
99655-30055	55G				
99655-30060	60G				
37-600K		WEIGHT, DISC WHEEL-ALUMI			
99655-90005	5G FOR 1-PIECE WHL				
99655-90010	10G FOR 1-PIECE WHL				
99655-90015	15G FOR 1-PIECE WHL				
99655-90020	20G FOR 1-PIECE WHL				
99655-90025	25G FOR 1-PIECE WHL				
99655-90030	30G FOR 1-PIECE WHL				
99655-90035	35G FOR 1-PIECE WHL				
99655-90040	40G FOR 1-PIECE WHL				
99655-90045	45G FOR 1-PIECE WHL				
99655-90050	50G FOR 1-PIECE WHL				
99655-90055	55G FOR 1-PIECE WHL				

-9701

-9701

01-

01-

992-05

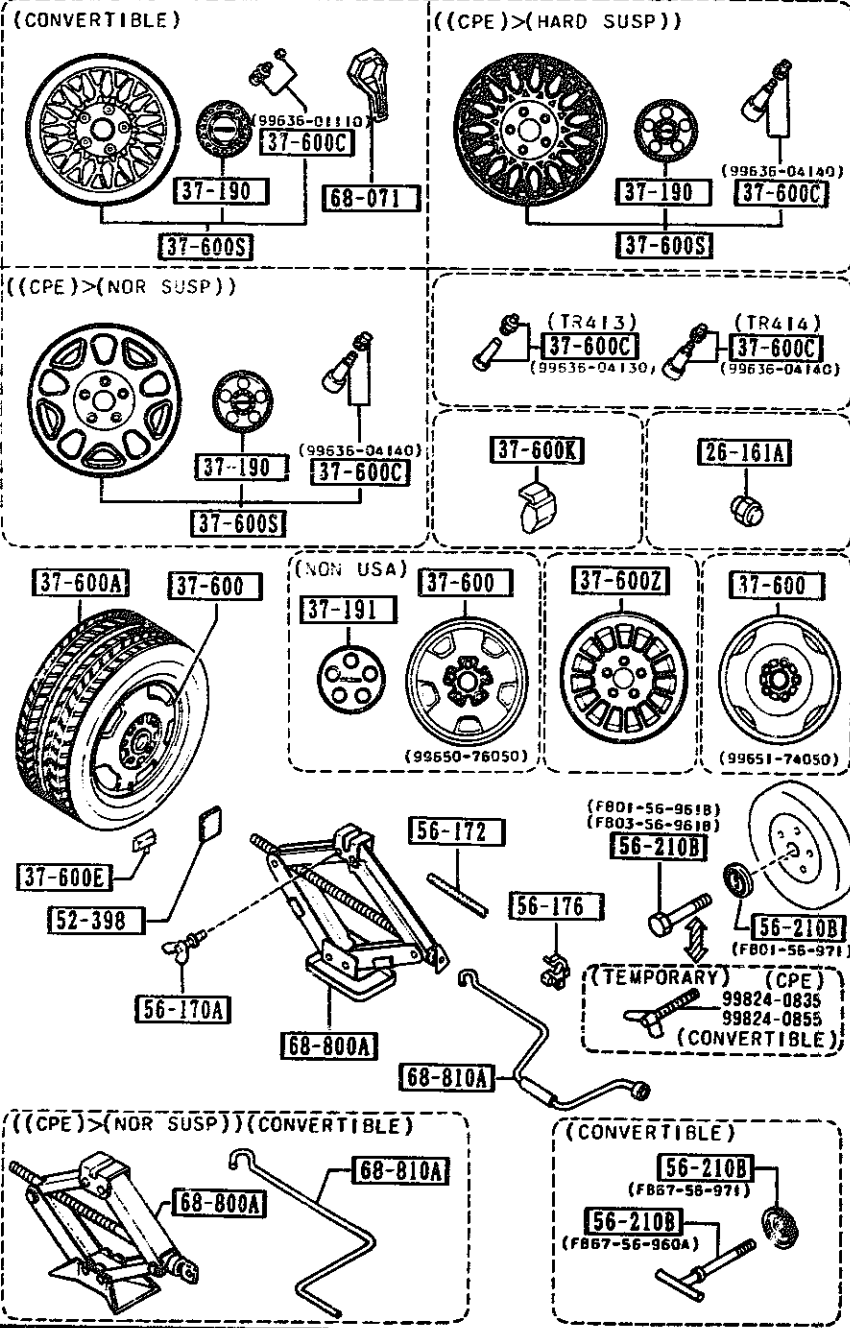
AUFA02

CAT. AUFA02-06

1992-05

2-D 7

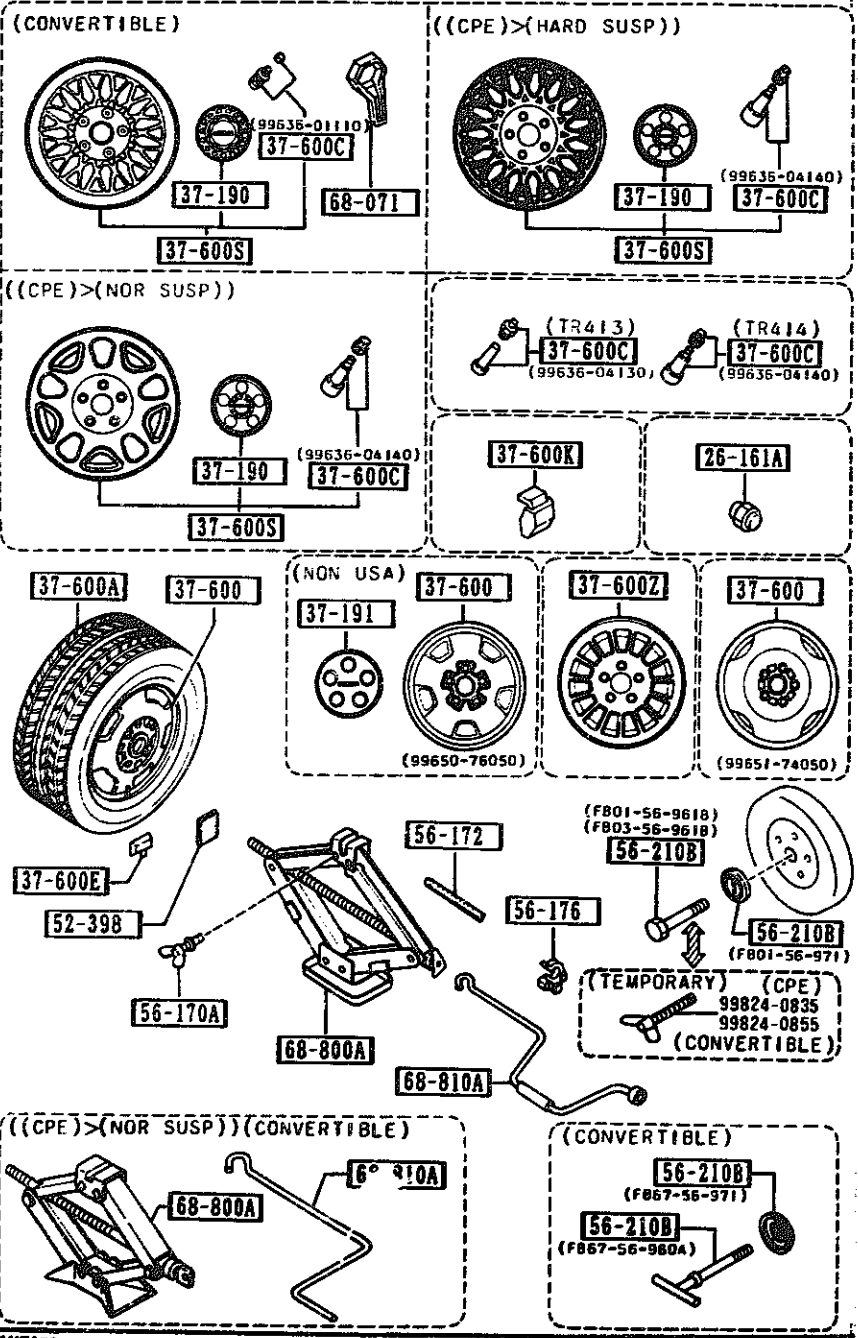
3700 TIRES & JACK



3700 -3 TIRES & JACK

PART NO.	QTY	MODEL/RESTRICTION	MODEL/RESTRICTION	MODEL/RESTRICTION	FROM TO
CONT'D					
99655-90060	4	60G FOR 1-PIECE WHL			
99656-10005	4	5G FOR 2-PIECE WHL			
99656-10010	4	10G FOR 2-PIECE WHL			
99656-10015	4	15G FOR 2-PIECE WHL			
99656-10020	4	20G FOR 2-PIECE WHL			
99656-10025	4	25G FOR 2-PIECE WHL			
99656-10030	4	30G FOR 2-PIECE WHL			
99656-10035	4	35G FOR 2-PIECE WHL			
99656-10040	4	40G FOR 2-PIECE WHL			
99656-10045	4	45G FOR 2-PIECE WHL			
99656-10050	4	50G FOR 2-PIECE WHL			
99656-10055	4	55G FOR 2-PIECE WHL			
99656-10060	4	60G FOR 2-PIECE WHL			
		WHEEL SET, DISC-ALUMI			
88FF-37-600A	4	6.5JX15 P=114/D=40 (CONVERTIBLE)			
88FL-37-600	4	7JX16 P=114/D=40 ((CPE))>(HARD SUSP))			
88FM-37-600	4	6JX15 P=114/D=40 ((CPE))>(NOR.SUSP))			
88FP-37-600	4	6JX15 TOPY MAKE GTU, GXL, ((CPE))>(NOR.SUSP))			
88FR-37-600	4	6JX15 ((CPE))>(NOR.SUSP))			0201-
		WHEEL, DISC-ALUMI.			
99651-04060	1	4-TX16 FOR TEMPORARY TURBO, GTUS, TURBO-0 PT.			
		PAD, TANK PROTECTOR			
0201 FC3MM-806074					

3700 TIRES & JACK



3700 -4 * TIRES & JACK

PART NO.	QTY	MODEL/RESTRICTION	MODEL/RESTRICTION	MODEL/RESTRICTION	FPM-TO
CONT'D 0866-52-398A	1				
56-170A		BOLT, JACK SET			
FB01-56-177	1				
56-172		WELT, SEAMING-JACK			
FB01-56-172A	1				
56-176		HOLDER, JACK HANDLE			
FB01-56-176	2				
56-210B		CLAMP, SPARE TIRE			
FB67-56-960A	1	L=110MM (CONVERTIBLE)			
FB01-56-961B	1	L=165MM (CPE)>(NOR. SUSP)			
FB03-56-961B	1	L=178MM (CPE)>(HARD SUSP)			
FB01-56-971	1	(CPE)			
FB67-56-971	1	(CONVERTIBLE)			
68-071		WRENCH, WHEEL CAP			
FB07-68-071	1	(CONVERTIBLE)			
68-800A		JACK			
FB07-37-790A	1	(CPE)>(HARD SUSP)			
FC01-37-790	1	(CPE)>(NOR. SUSP) (CONVERTIBLE)			
68-810A		HANDLE, JACK			
B210-37-810	1	(CPE)>(NOR. SUSP) (CONVERTIBLE)			
FB01-37-810	1	(CPE)>(HARD SUSP)			
56-210B		(TEMPORARY) (CPE) 99824-0835 99824-0855 (CONVERTIBLE)			
56-210B		(CONVERTIBLE) (FB67-56-971)			
56-210B		(CONVERTIBLE) (FB67-56-980A)			

CAT. AUFA02-06

1992-05

SECTION NAME INDEX (CHASSIS)

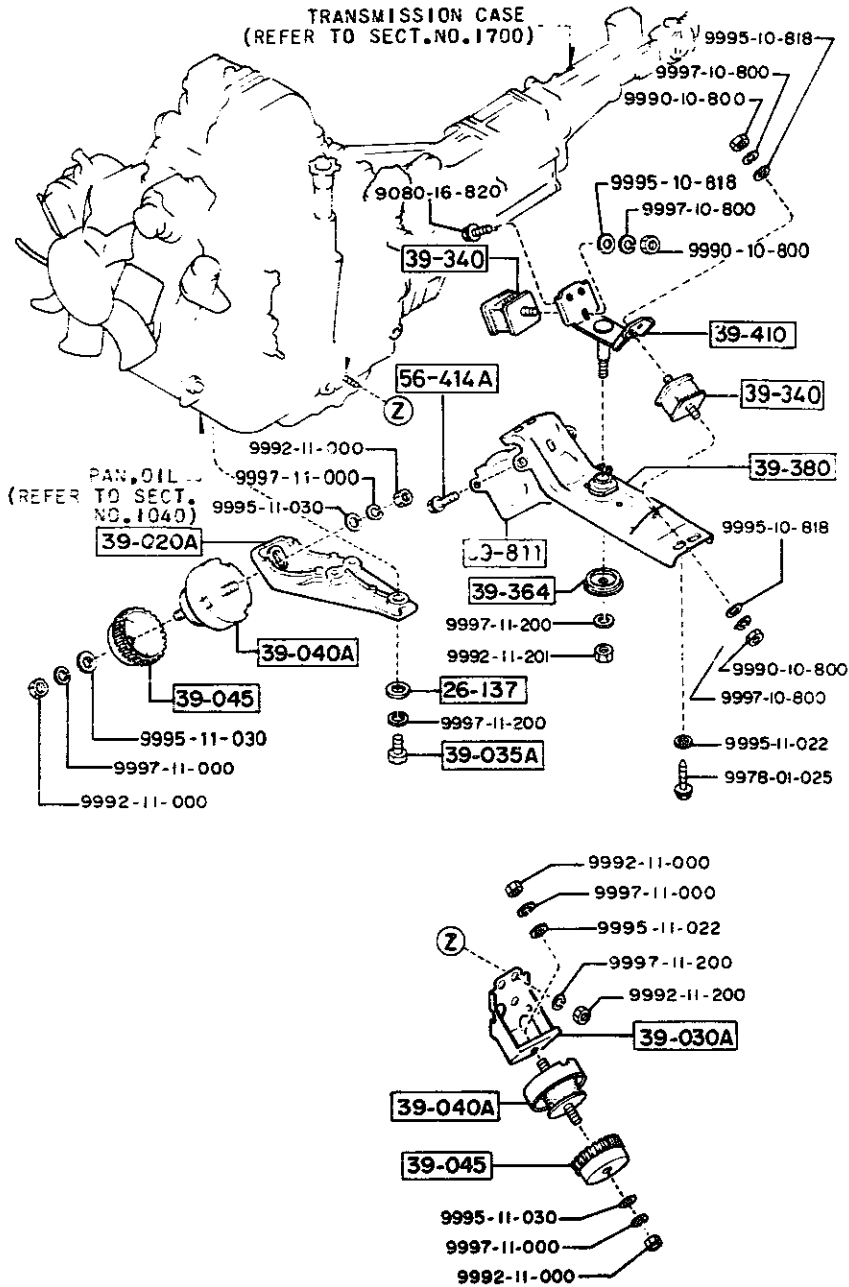
LO.NO	SEC.NO	SECTION NAME	LO.NO	SEC.NO	SECTION NAME	LO.NO	SEC.NO	SECTION NAME
2-C03	2505	REAR PROPELLER SHAFT	2-M08	4140	CLUTCH RELEASE & MASTER CYLINDERS (MANUAL TRANSMISSION)			
2-D03	2550	REAR DRIVE SHAFT	2-C09	4145	CLUTCH PIPINGS (MANUAL TRANSMISSION)			
2-E03	2600	REAR AXLE	2-D09	4160	ACCELERATOR CONTROL SYSTEM			
2-G03	2610	REAR BRAKE MECHANISMS	2-E09	4200	FUEL TANK			
2-K03	2710	REAR DIFFERENTIALS (NORMAL DIFF.)	2-H09	4300	CLUTCH & BRAKE PEDALS (MANUAL TRANSMISSION)			
2-C04	2710 A	REAR DIFFERENTIALS (LIMITED SLIP DIFF.)	2-K09	4300A	BRAKE PEDALS (AUTOMATIC TRANSMISSION)			
2-H04	2800	REAR SUSPENSION MECHANISMS	2-M09	4340	BRAKE MASTER CYLINDER & POWER BRAKE (W/O TURBO)			
2-J04	2801	REAR SPRING & DAMPER	2-C10	4340 A	BRAKE MASTER CYLINDER & POWER BRAKE (TURBO)			
2-K04	2810	REAR STABILIZER	2-E10	4360	BRAKE PIPINGS (W/O TURBO)			
2-L04	2830	REAR LOWER ARMS & SUB FRAME	2-G10	4360 A	BRAKE PIPINGS (TURBO)			
2-N04	3200	STEERING WHEEL (W/O AIR BAG)	2-J10	4370	ANTILOCK BRAKE SYSTEM (TURBO)			
2-E05	3200 A	STEERING WHEEL (W/ AIR BAG)	2-N10	4400	PARKING BRAKE SYSTEM			
2-G05	3210	STEERING COLUMN & SHAFTS	2-D11	4500	FUEL PIPINGS			
2-I05	3220 A	STEERING GEAR (W/ POWER STEERING: ENGINE REVOLUTION PER MINUTE SENSOR) (GTU, '90-GXL, '90-CONV-W/O AIR BAG)	2-H11	4600	CHANGE CONTROL SYSTEM (AT)			
2-L05	3220 B	STEERING GEAR (W/ POWER STEERING: VELOCITY SENSOR) (GTUS, '90-GXL, TURBO, '89-CONV, '90-CONV-W/AIR BAG)						
2-C06	3240	POWER STEERING SYSTEM						
2-F06	3300	FRONT AXLE						
2-H06	3310	FRONT BRAKE MECHANISMS						
2-K06	3400	FRONT SUSPENSION MECHANISMS						
2-M06	3401	FRONT SPRING & DAMPER						
2-N06	3410	CROSSMEMBER & STABILIZER						
2-C07	3700	TIRES & JACK						
2-C08	3900	ENGINE & T/MISSION MOUNTINGS (MT)						
2-D08	3900A	ENGINE & T/MISSION MOUNTINGS (AT)						
2-E08	4000	EXHAUST SYSTEM (W/O TURBO)						
2-I08	4000 A	EXHAUST SYSTEM (TURBO)						

CATLOG-NO= AUFA02-06

DATE. 1992-05

3900 ENGINE & T/MISSION MOUNTINGS (MT)

3900 -1 * ENGINE & T/MISSION MOUNTINGS (MT)



PART NO.	QTY	MODEL/RESTRICTION	MODEL/RESTRICTION	MODEL/RESTRICTION	FROM-TO
26-137		WASHER, PLAIN-LOWER ARM			
FB01-26-137	3				
39-020A		BRACKET(R), ENGINE			
FB01-39-021A	1				
39-030A		BRACKET(L), ENGINE			
FB01-39-031	1				
39-035A		BOLT			
FB01-39-022	3				
39-040A		RUBBER, ENGINE MT.			
FC01-39-040A	2	(CPE)			
FB67-39-040A	2	(CONVERTIBLE)			
39-045		CASING, STOPPER			
3975-39-045	2				
39-340		RUBBER, T/MISSION MT.			
FB01-39-340A	2	(C 2)			
FB67-39-340B	2	(CONVERTIBLE)			
39-364		WASHER			
FB01-39-364	1				
39-380		MEMBER, T/MISSION MT.			
FC02-39-370	1	(W/O TURBO)			
FC18-39-370	1	(TURBO)			
39-410		BRACKET, T/MISSION MT			
FC02-39-350	1				
39-811		INSULATOR			
FC02-39-385	1	(W/O TURBO)			
56-414A		BOLT, SILENCER			
FB01-56-416	3	(W/O TURBO)			

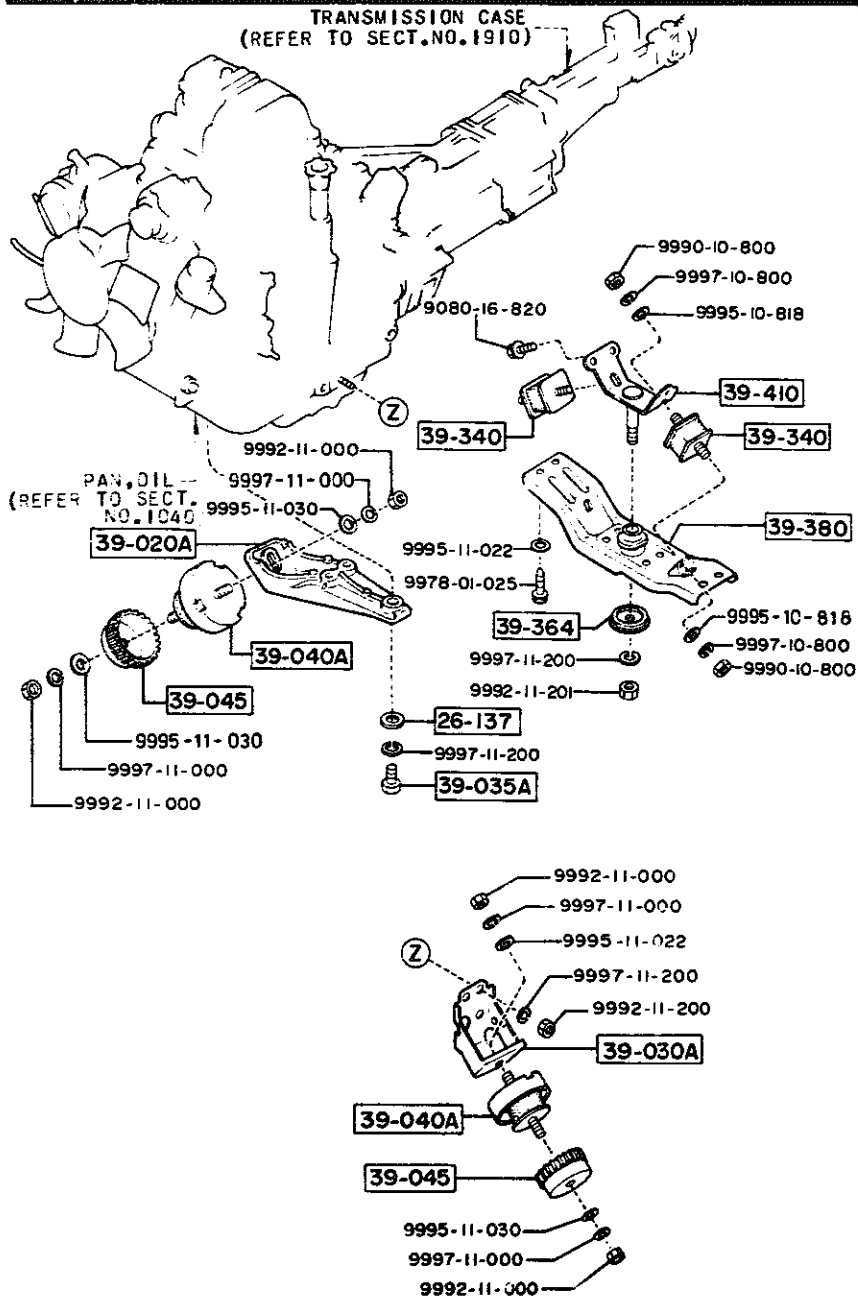
AUFA02

CAT. AUFA02-06

1992-05

3900A ENGINE & T/M. SION MOUNTINGS
(AT)

3900A -1 * ENGINE & T/MISSION MOUNTINGS
(AT)



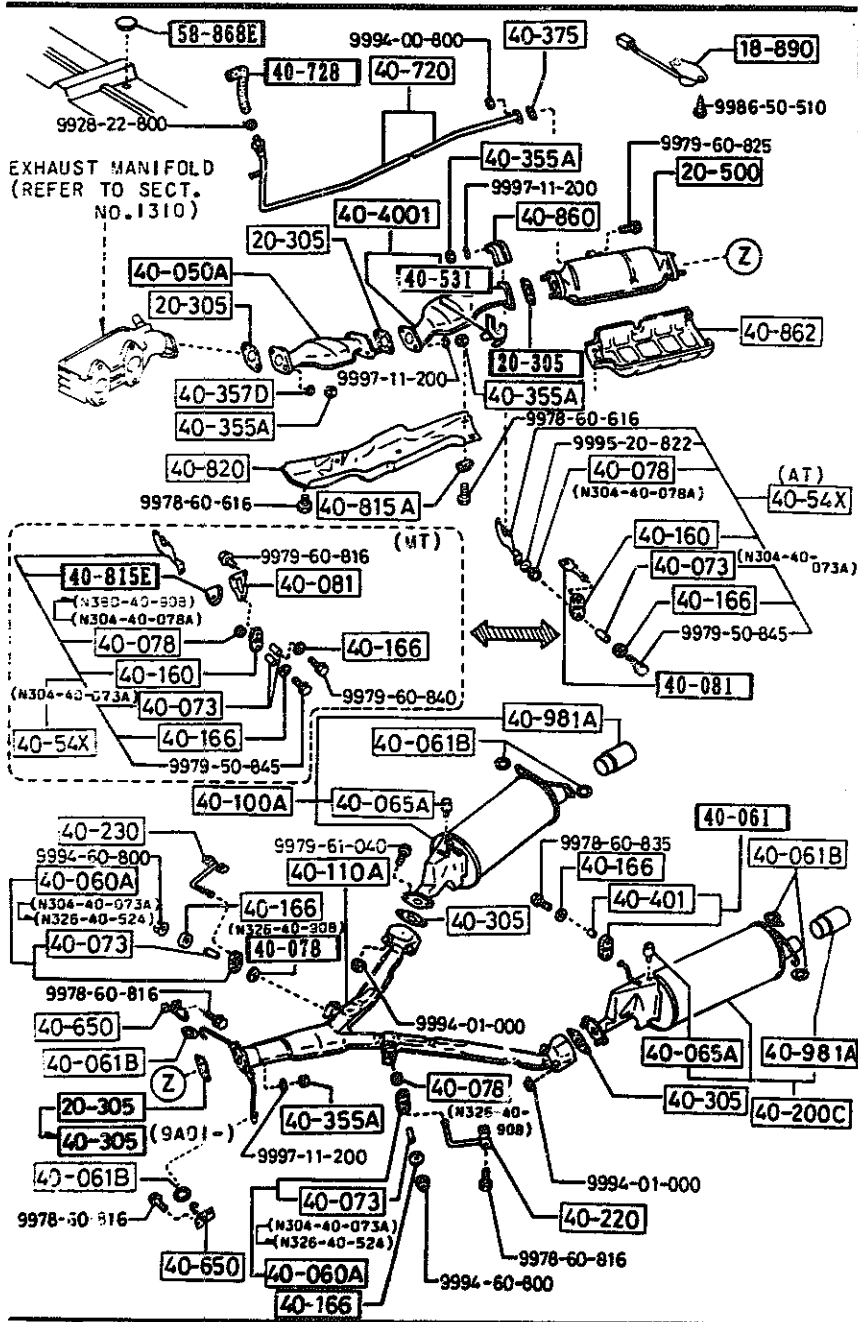
PART NO.	QTY	MODEL/RESTRICTION	MODEL/RESTRICTION	MODEL/RESTRICTION	FROM-TO
26-137		WASHER, PLAIN-LOWER ARM			
FB01-26-137	3				
39-020A		BRACKET (R), ENGINE			
FB01-39-021A	1				
39-030A		BRACKET (L), ENGINE			
FB01-39-031	1				
39-035A		BOLT			
FB01-39-022	3				
39-040A		RUBBER, ENGINE MT.			
FB01-39-040A	2	(CPE)			
FB67-39-040A	2	(CONVERTIBLE)			
39-045		CASING, STOPPER			
3975-39-045	2				
39-340		RUBBER, T/MISSION MT.			
FB01-39-340A	2	(CPE)			
FB67-39-340B	2	(CONVERTIBLE)			
39-364		WASHER			
FB01-39-364	1				
39-380		MEMBER, T/MISSION MT.			
FB02-39-370C	1				
39-410		BRACKET, T/MISSION MT			
FB02-39-350A	1				

AUFA02

CAT. AUFA02-06

1992-05

4000 EXHAUST SYSTEM
(W/O TURBO)



4000 -1 EXHAUST SYSTEM
(W/O TURBO)

PART NO.	QTY	MODEL/RESTRICTION	MODEL/RESTRICTION	MODEL/RESTRICTION	FROM-TO
18-890		SWITCH, THERMO			
N326-18-890A	1				
20-305		GASKET, EXH. PIPE-CONVERTER			
N326-40-305	4	ASBESTOS			-9A01
N326-40-305	3	ASBESTOS			9A01-
20-500		CONVERTER, CATALYST			
N350-20-600A	1				
40-050A		PIPE, EXHAUST-FRONT			
N350-40-500B	1				
40-060A		HANGER, SILENCER			
N326-40-060A AN(N326-40-060B)	2				-9501
N326-40-060B	2				9501-
40-061		HANGER, SILENCER			
N328-40-060A AN(N328-40-060B)	2				-9501
N328-40-060B	2				9501-
40-061B		RUBBER, HANGER			
N225-40-061	6				
40-065A		RUBBER, STOPPER			
N326-40-065	2				
40-073		SPACER			
N304-40-073A	3	(AT)			-9501
N304-40-073A	4	(MT)			-9501
N304-40-073A	1	(AT)			9501-
N326-40-524	2	(MT)			9501-
N326-40-524	2				9501-
40-078		GASKET			
N304-40-078A	1	ASBESTOS (AT)			
9501 FC3MXX-707092 9A01 FC3MXX-803554					

AUFA02

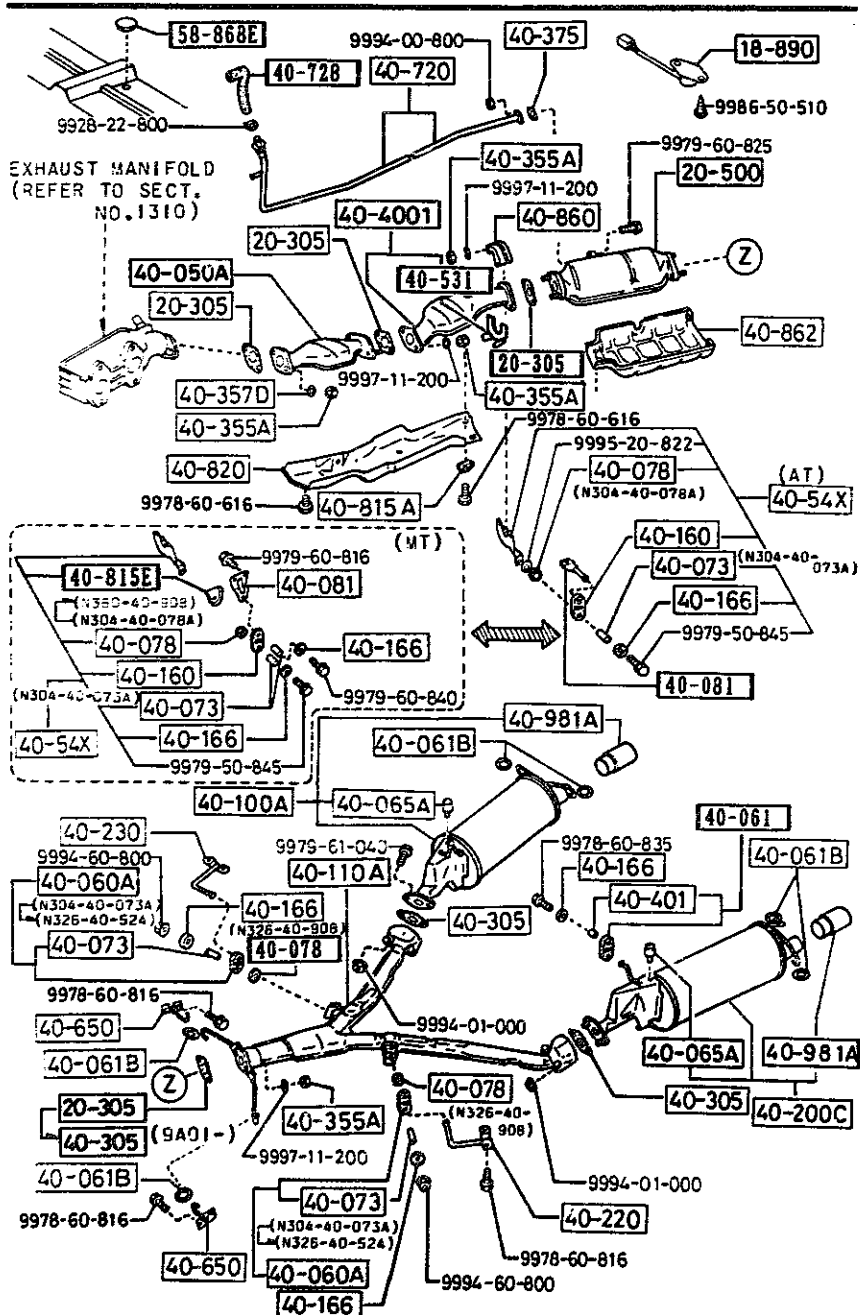
CAT. AUFA02-06

2 E 8

1992-05

4000 EXHAUST SYSTEM
(W/O TURBO)

4000 -2 EXHAUST SYSTEM
(W/O TURBO)



EXHAUST MANIFOLD
(REFER TO SECT.
NO. 1310)

PART NO.	QTY	MODEL/RESTRICTION	MODEL/RESTRICTION	MODEL/RESTRICTION	FROM TO
CONT'D					
N326-40-908	2	ASBESTOS			
N304-40-078A	1	ASBESTOS (MT)			-0101
N380-40-908	1	NON ASBESTOS (MT)			0101-
40-081		BRACKET, HANGER			
N326-40-080	1	(MT)			
N327-40-080	1	(AT)			
40-100A		SILENCER(R), MAIN			
N350-40-100B	1	((CPE)>(AT))			
N351-40-100B	1	((CPE)>(MT))			
N362-40-100C	1	((CONVERTIBLE)>(AT))			
N367-40-100B	1	((CONVERTIBLE)>(MT))			
40-110A		PIPE, MIDDLE			
N319-40-600B	1				
40-160		HANGER, SILENCER			
N304-40-161A	1	(AT)			
1114-40-161	1	(MT)			
40-166		WASHER			
0820-40-166	5	(AT)			
	6	(MT)			
40-200C		SILENCER(L), MAIN			
N350-40-200B	1	((CPE)>(AT))			
N351-40-200B	1	((CPE)>(MT))			
N362-40-200C	1	((CONVERTIBLE)>(AT))			
N367-40-200B	1	((CONVERTIBLE)>(MT))			
40-220		BRACKET, HANGER			
N326-40-69XA	1				-9315
AN(N326-40-69XB)					
N326-40-69XB	1				9315-
9315 FC3***-704868					
0101 FC3***-805489					

0M-10

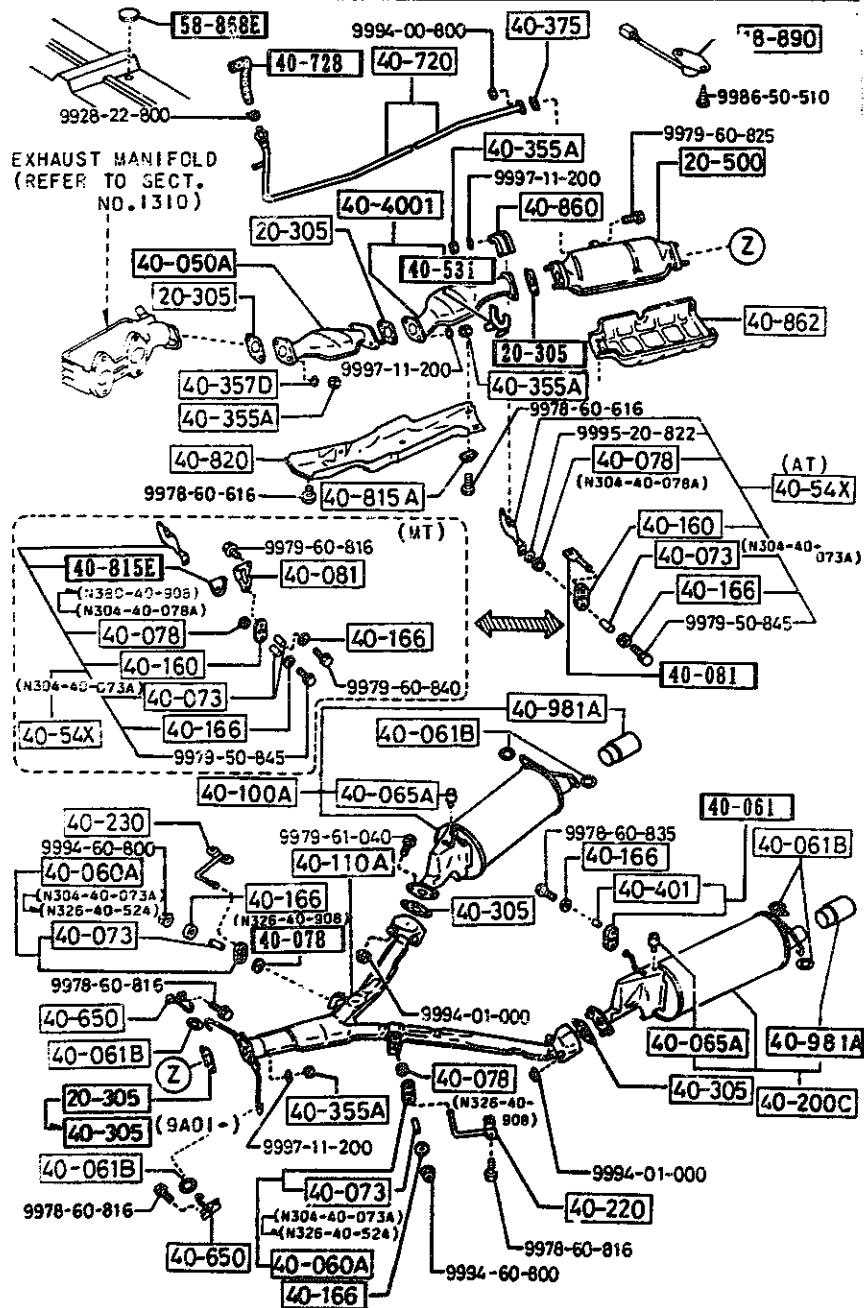
992-05

AUFA02

CAT. AUFA02-06

1992-05

4000 EXHAUST SYSTEM
(W/O TURBO)



4000 -3 EXHAUST SYSTEM
(W/O TURBO)

PART NO.	QTY	MODEL/RESTRICTION	MODEL/RESTRICTION	MODEL/RESTRICTION	FROM-TO
40-230		BRACKET, HANGER			
N326-40-690A AN(N326-40-690B)	1				-9315
N326-40-690B	1				9315-
40-305		GASKET ASBESTOS			
N327-40-305	2				
N350-40-305	1	ASBESTOS			9A01-
40-355A		NUT			
8118-40-355	8				
40-357D		WASHER			
N326-40-357	2				
40-375		GASKET ASBESTOS			
1480-40-375	1				
40-4001		CONVERTER, MONOLITH			
N350-20-550A	1				
40-401		INSULATOR			
0820-40-165	2				-9501
328-40-524	2				9501-
40-531		BRACKET, HANGER-FRONT PIPE			
N326-40-530B	1				
40-54X		BRACKET, HNGR -MONOLI TH CONVER			
N327-40-54X	1	(AT)			
N326-40-54X A (N326-40-54XA)	1				-0101
N326-40-54XA	1	(MT)			0101-
40-650		BRACKET, HANGER			
N326-40-640A	2				
40-720		PIPE, AIR			
N350-20-840A	1				
9315	FC3MKN-704868				
9501	FC3MKN-707092				
9A01	FC3MKN-803554				
0101	FC3MKN-805489				

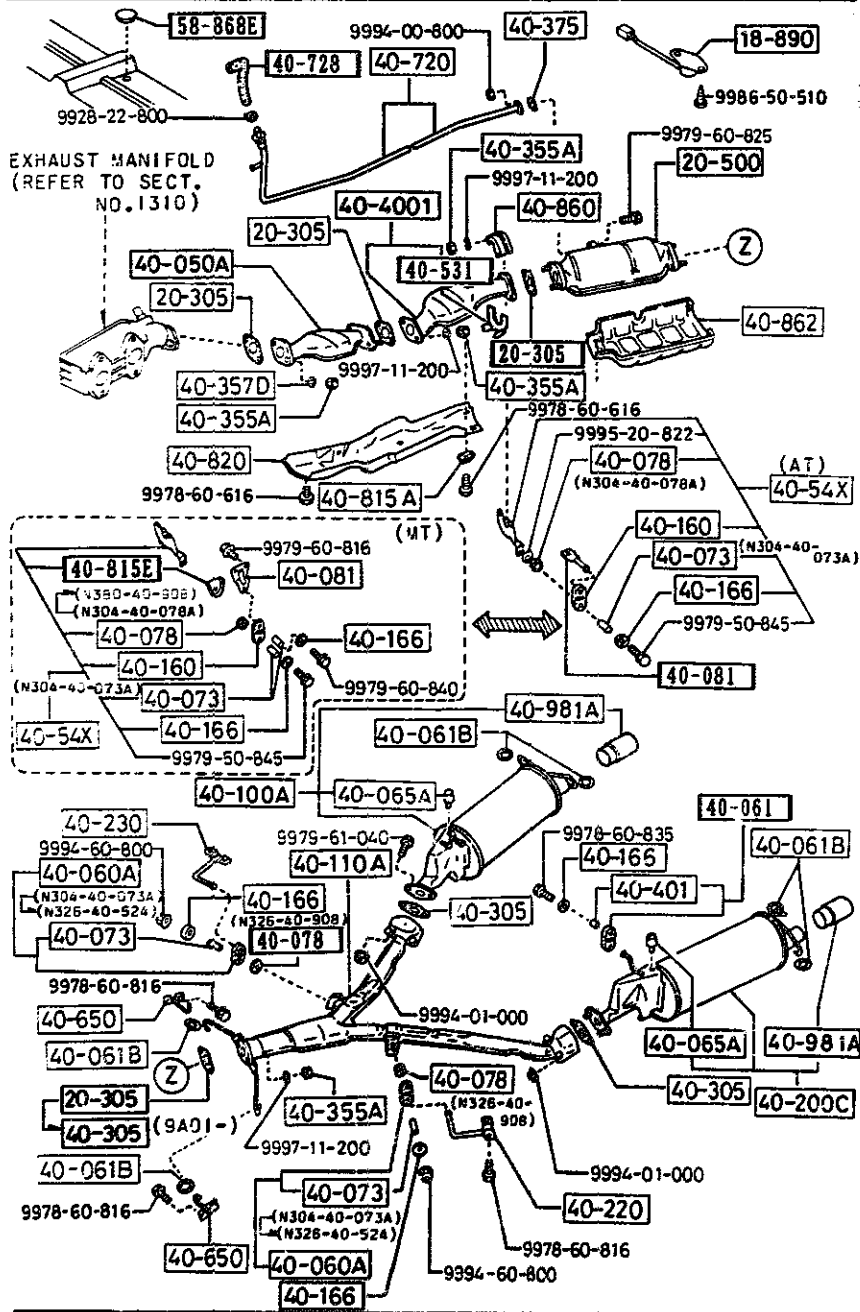
AUFA92

CAT. AUFA02-06

1992-05

4000 EXHAUST SYSTEM (W/O TURBO)

4000 -4 * EXHAUST SYSTEM (W/O TURBO)



PART NO.	QTY	MODEL/RESTRICTION	MODEL/RESTRICTION	MODEL/RESTRICTION	FROM TO
40-728		HOSE, AIR			
N326-20-750	1				
40-815A		WASHER			
1480-40-815	2				
40-815E		PROTECTOR, HANGER BRACKET (MT)			
N326-40-815	1				
40-820		PROTECTOR NO. 2			
N326-40-874B	1				
40-860		PROTECTOR, CONVERTER			
N326-40-861A	1				
40-862		PROTECTOR, CONVERTER			
N350-40-870	1				
40-981A		GARNISH, TAIL PIPE			
N326-40-990C	2				
58-868E		PLUG, SERVICE COVER			
0559-58-868	1				

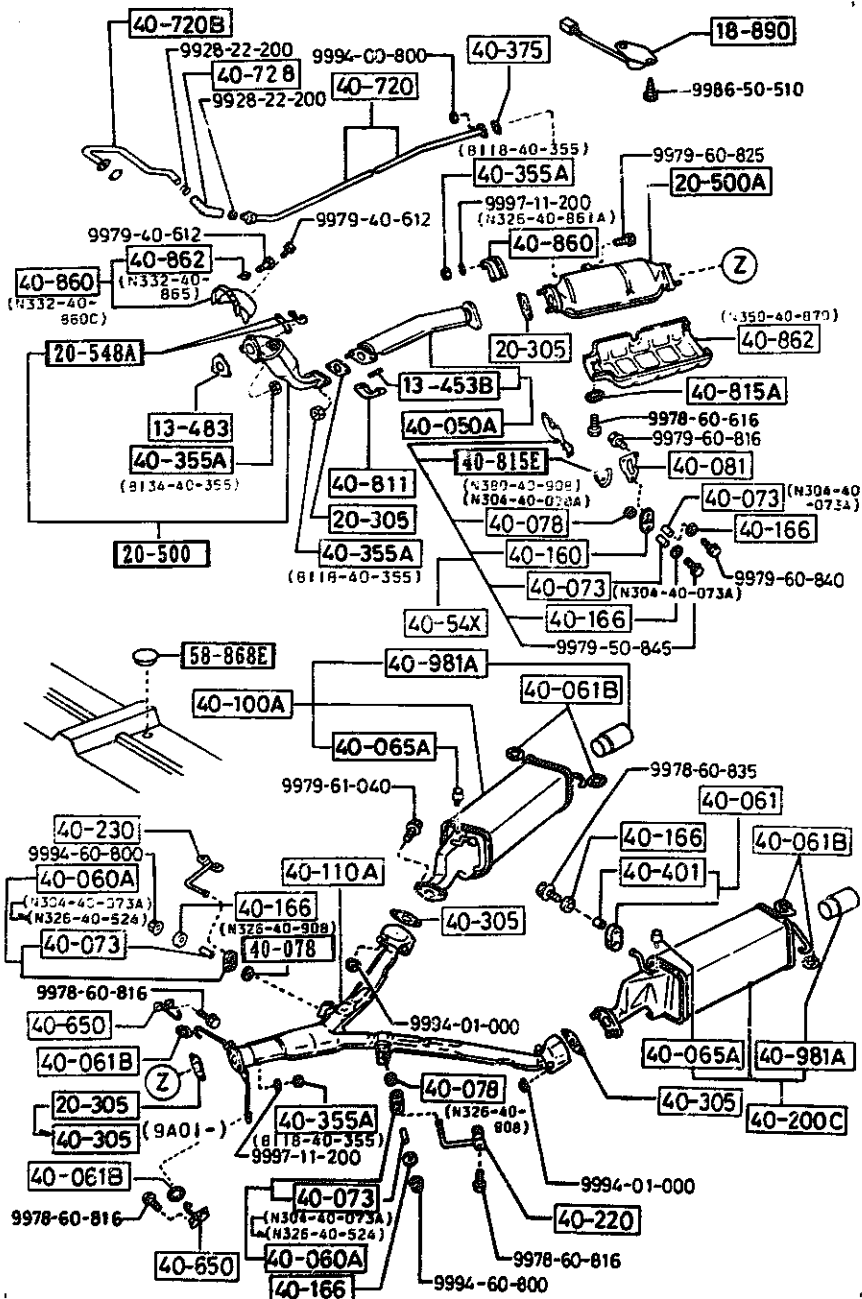
AUFA02

CAT. AUFA02-06

1992-05

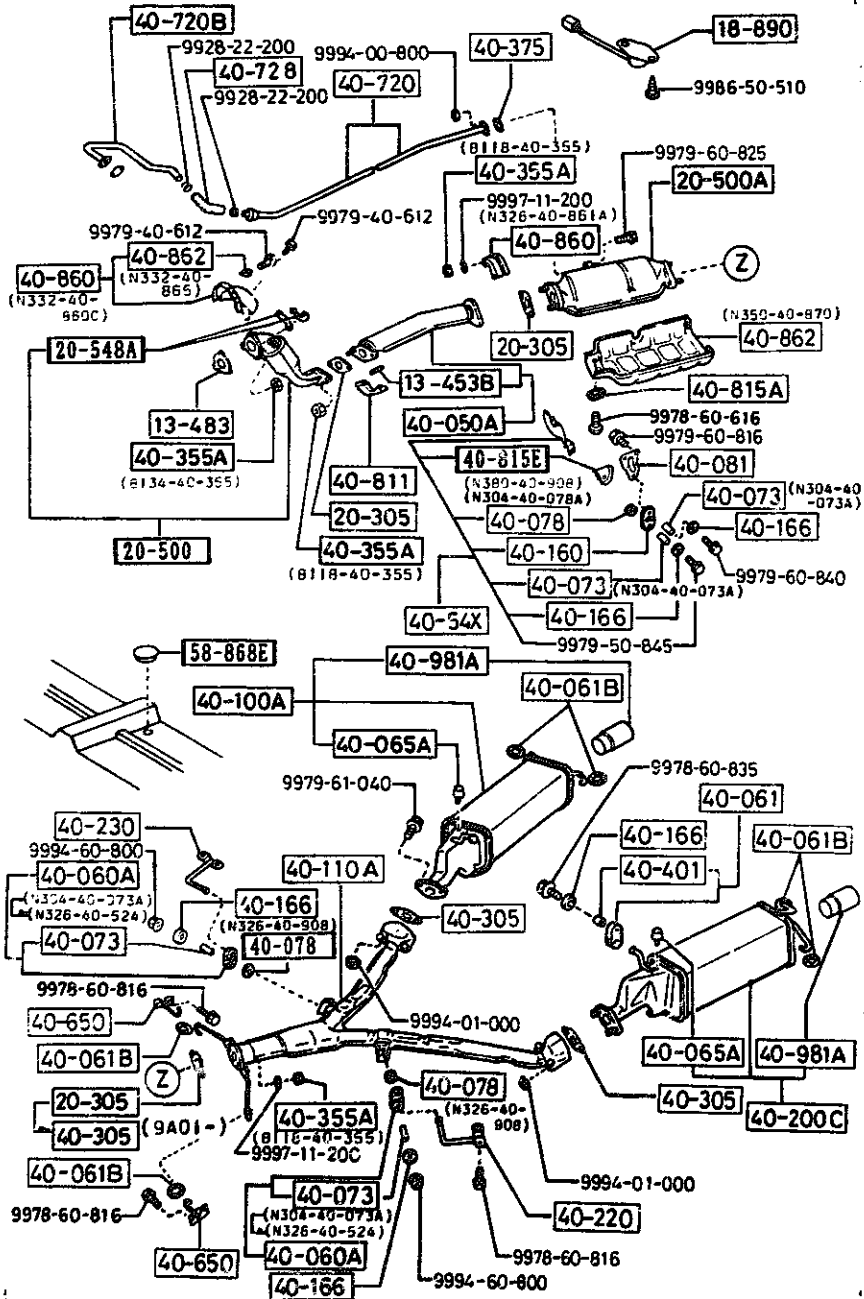
4000 A EXHAUST SYSTEM (TURBO)

4000 A-1 EXHAUST SYSTEM (TURBO)



PART NO.	QTY	MODEL/RESTRICTION	MODEL/RESTRICTION	MODEL/RESTRICTION	FROM-TO
13-453B		STUD			
N326-40-353	2				
13-483		GASKET, EXHAUST PIPE			
N370-13-491	1	NON ASBESTOS			
18-890		SWITCH, THERMO			
N326-18-890A	1				
20-305		GASKET, EXH. PIPE-CONVERTER			
N326-40-305	4	ASBESTOS			-9A01
N326-40-305	3	ASBESTOS			9A01-
20-508		CONVERTER, CATALYST			
N370-20-500A	1				
20-500A		CATALYST, THREE WAY			
N370-20-600	1				
20-548A		WASHER, LOCK			
N319-13-457B	2				
40-050A		PIPE, EXHAUST-FRONT			
N332-40-500A	1				
40-050A		HANGER, SILENCER			
N326-40-060A	2				-9501
AN(N326-40-060B)					
N326-40-060B	2				9501-
40-061		HANGER, SILENCER			
N328-40-060A	2				-9501
AN(N328-40-060B)					
N328-40-060B	2				9501-
40-061B		RUBBER, HANGER			
N225-40-061	6				
40-065A		RUBBER, STOPPER			
9501		FCSMNM-707092			
9A01		FCSMNM-803554			

4000 A EXHAUST SYSTEM
(TURBO)



4000 A-2 EXHAUST SYSTEM
(TURBO)

PART NO.	QTY	MODEL/RESTRICTION	MODEL/RESTRICTION	MODEL/RESTRICTION	FROM TO
CONT'D					
N326-40-065	2				
40-073		SPACER			
N304-40-073A	4				-9501
N304-40-073A	2				9501-
N326-40-524	2				9501-
40-078		GASKET			
N326-40-908	2	ASBESTOS			
N304-40-078A	1	ASBESTOS			-0101
N380-40-908	1	NON ASBESTOS			0101-
40-081		BRACKET, HANGER			
N326-40-080	1				
40-100A		SILENCER(R), MAIN			
N378-40-100A	1				
40-110A		PIPE, MIDDLE			
N319-40-600B	1				
40-160		HANGER, SILENCER			
1114-40-161	1				
40-166		WASHER			
0820-40-166	6				
40-200C		SILENCER(L), MAIN			
N378-40-200A	1				
40-220		BRACKET, HANGER			
N326-40-69XA AN(N326-40-69XB)	1				-9315
N326-40-69XB	1				9315-
40-230		BRACKET, HANGER			
N326-40-690A AN(N326-40-690B)	1				-9315
N326-40-690B	1				9315-
9315 FC3MM-70688 9501 FC3MM-70792 0101 FC3MM-805489					

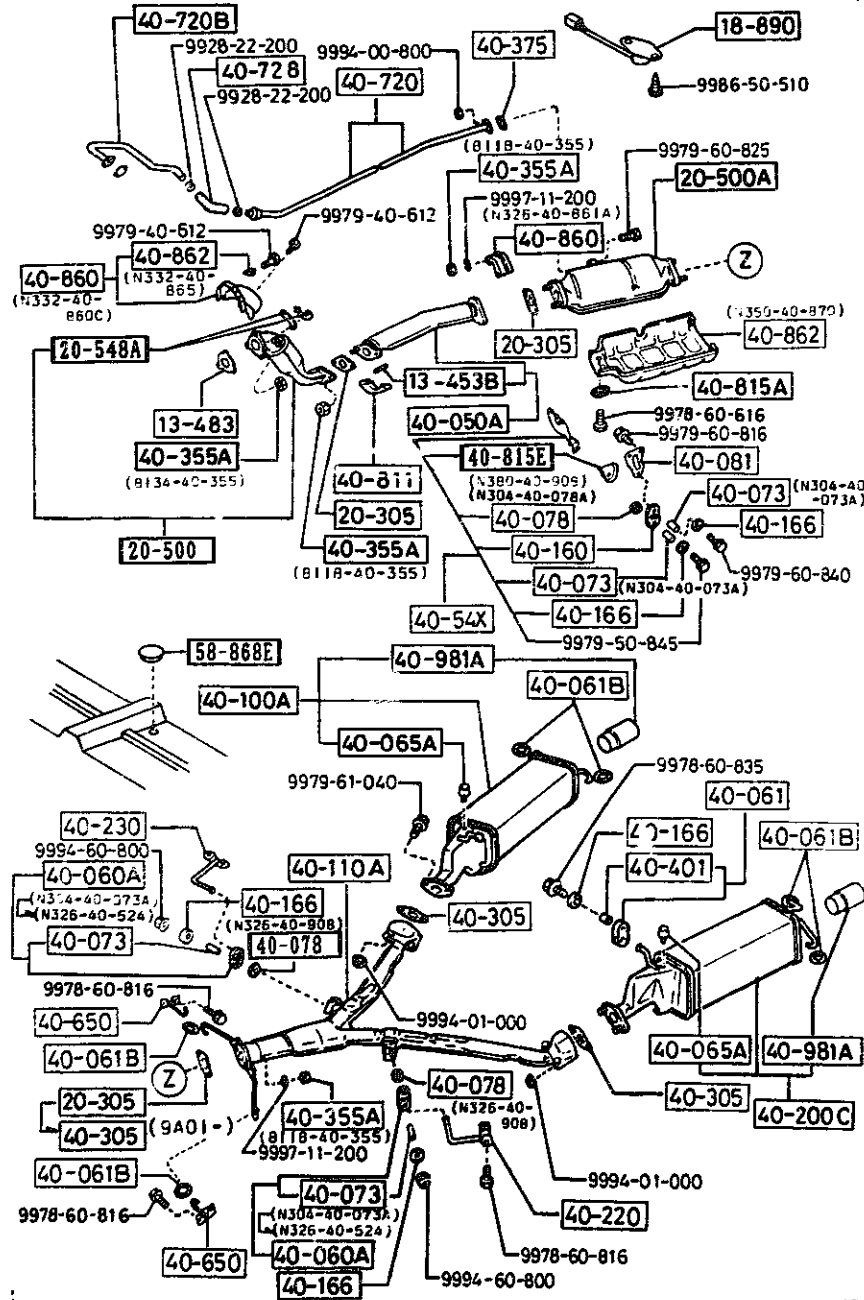
AUFA02

CAT. AUFA02-06

1992-05

4000 A EXHAUST SYSTEM
(TURBO)

4000 A-3 EXHAUST SYSTEM
(TURBO)



PART NO.	QTY	MODEL/RESTRICTION	MODEL/RESTRICTION	MODEL/RESTRICTION	FROM-TO
40-305		GASKET			
N327-40-305	2	ASBESTOS			
N350-40-305	1	ASBESTOS			9A01-
40-355A		NUT			
8118-40-355	6				
8134-40-355	3				
40-375		GASKET			
1480-40-375	1	ASBESTOS			
40-401		INSULATOR			
0820-40-165	2				-9501
N328-40-524	2				9501-
40-54X		BRACKET, HNGR - MONOLI TH CONVER			
N326-40-54X A (N326-40-54XA)	1				-0101
N326-40-54XA	1				0101-
40-650		BRACKET, HANGER			
N326-40-640A	2				
40-720		PIPE, AIR			
N370-20-840	1				
40-720B		PIPE, AIR			
N332-20-850A	1				
40-728		HOSE, AIR			
N332-13-814A	1				
40-811		PROTECTOR, FRONT PIPE			
N332-40-823A	1				
40-815A		WASHER			
1480-40-815	2				
9501 FC3MNM-707092					
9A01 FC3MNM-803554					
0101 FC3MNM-805489					

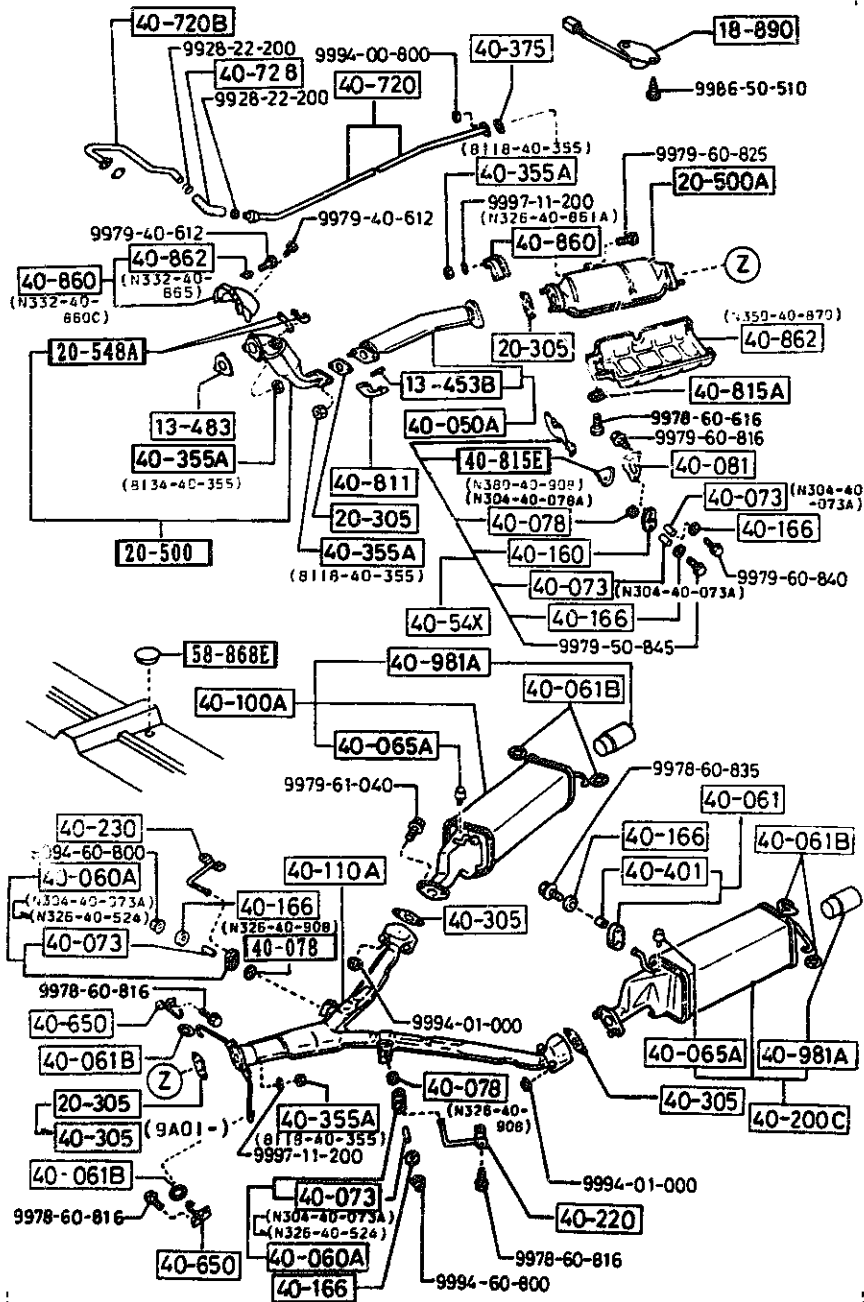
AUFA02

CAT. AUFA02-06

1992-05

4000 A EXHAUST SYSTEM
(TURBO)

4000 A-4 * EXHAUST SYSTEM
(TURBO)

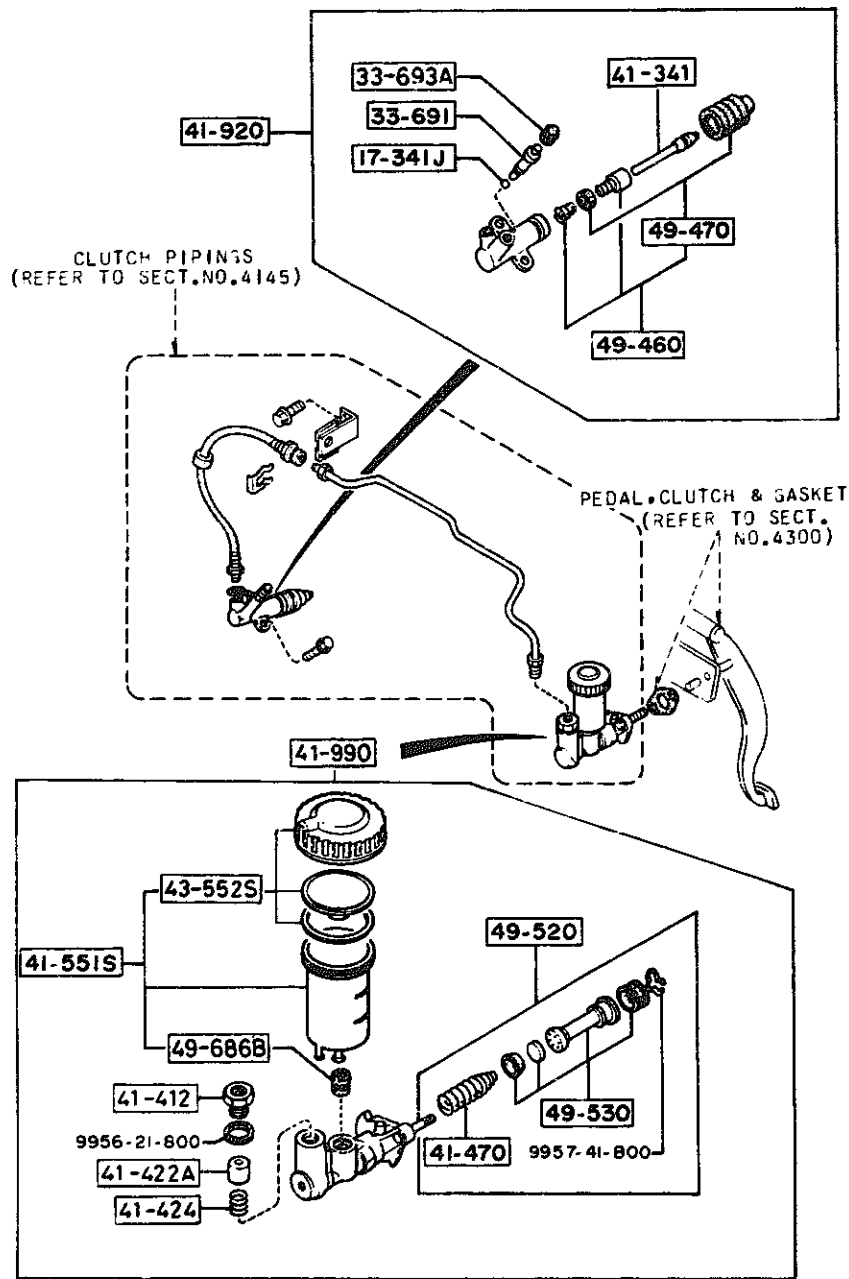


PART NO.	QTY	MODEL/RESTRICTION	MODEL/RESTRICTION	MODEL/RESTRICTION	FROM TO
40-815E N326-40-815	1	PROTECTOR, HANGER BRACKET			-0101
40-860 N332-40-860C	1	PROTECTOR, CONVERTER			
40-862 N326-40-862A	1	PROTECTOR, CONVERTER			
40-862 N332-40-865	1	PROTECTOR, CONVERTER			
40-870 N350-40-870	1	PROTECTOR, CONVERTER			
40-981A N332-40-990A	2	GARNISH, TAIL PIPE			
58-868E 0559-58-868	1	PLUG, SERVICE COVER			
0101 FC3MMH-805489					

AUFA02

CAT. AUFA02-06

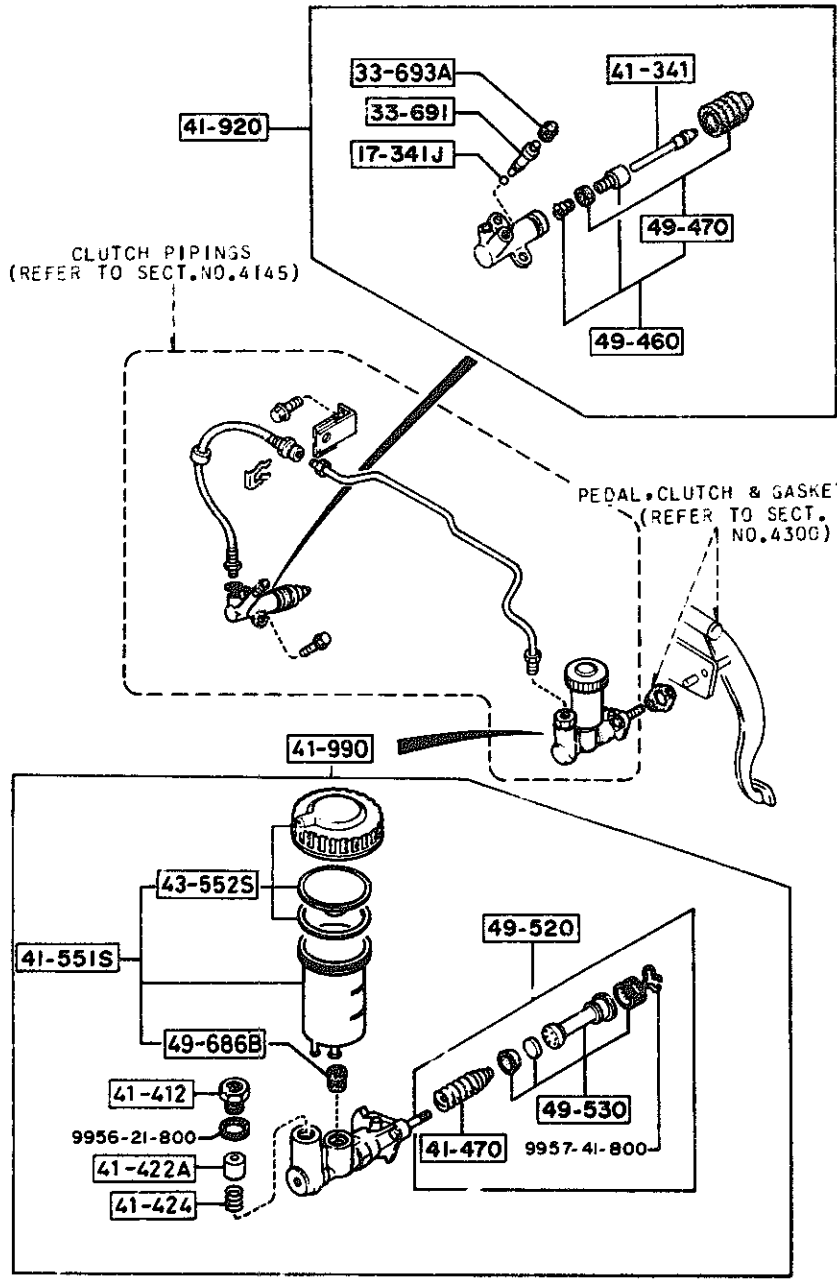
1992-05



PART NO.	QTY	MODEL/RESTRICTION	MODEL/RESTRICTION	MODEL/RESTRICTION	FROM-TO
17-341J		BA'L, STEEL			
99611-1500	1				
33-691		SCREW, BLEEDER			
0259-33-691	1				
33-693A		CAP, BLEEDER SCREW			
0259-33-693	1				
41-341		RQD, PUSH			
H005-41-341	1				
41-412		BOLT, JCINT			
W001-41-412	1				
41-422A		PISTON, O.W. VALVE			
0813-41-422D	1				
41-424		SPRING, O.W. VALVE			
H005-41-424	1				
41-470		SPRING			
B312-41-470	1				
41-551S		TANK SET, RESERVE			
H115-49-570B	1				
41-920		CYL., CLUTCH RELEASE			
FB01-41-920A	1	(W/O TURBO)			
F044-41-920C	1	(TURBO)			
41-990		CYL., CLUTCH MASTER			
FB01-41-400C	1				
43-552S		CAP SET, RESERVE TANK			
8093-49-580	1				
49-460		PARTS KIT, INNER			
FB01-49-460	1				

4140 CLUTCH RELEASE & MASTER CYLINDERS (MANUAL TRANSMISSION)

4140 -2 * CLUTCH RELEASE & MASTER CYLINDERS (MANUAL TRANSMISSION)



PART NO.	QTY	MODEL/RESTRICTION	MODEL/RESTRICTION	MODEL/RESTRICTION	FROM-TO
49-470		SEAL KIT			
FB01-49-470	1				
49-520		PARTS KIT, INN.-CLUTCH			
B312-41-522	1				
49-530		SEAL KIT			
B312-41-532	1				
49-686B		BUSH, ELBOW JOINT			
0305-49-686B	1				

AUFA02

CAT. AUFA02-06

1992-05

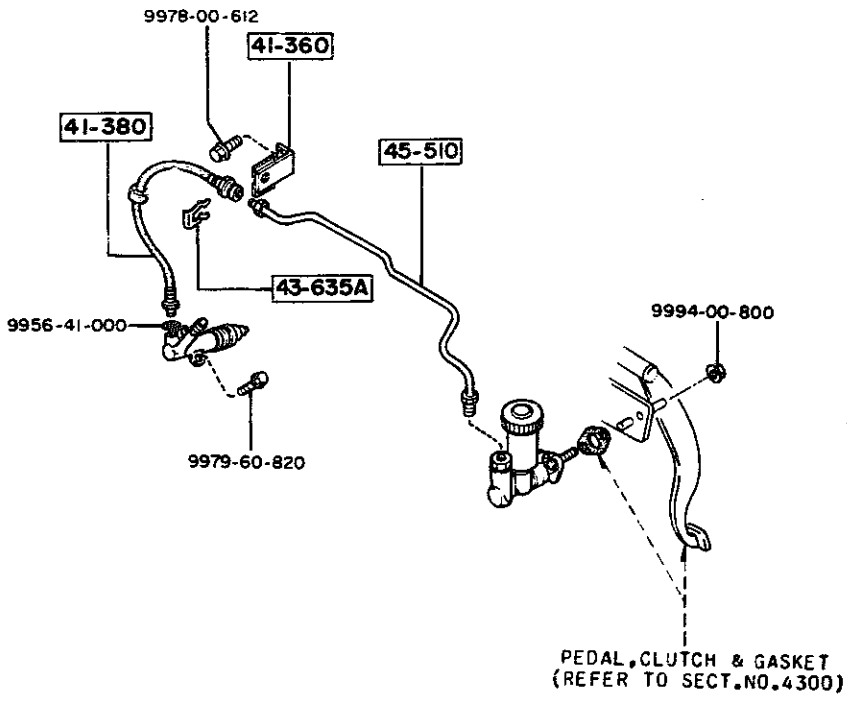
SECTION NAME INDEX (CHASSIS)

LO.NO	SEC.NO	SECTION NAME	LO.NO	SEC.NO	SECTION NAME	LO.NO	SEC.NO	SECTION NAME
2-C03	2505	REAR PROPELLER SHAFT	2-M08	4140	CLUTCH RELEASE & MASTER CYLINDERS (MANUAL TRANSMISSION)			
2-D03	2550	REAR DRIVE SHAFT	2-C09	4145	CLUTCH PIPINGS (MANUAL TRANSMISSION)			
2-E03	2600	REAR AXLE	2-D09	4160	ACCELERATOR CONTROL SYSTEM			
2-G03	2610	REAR BRAKE MECHANISMS	2-E09	4200	FUEL TANK			
2-K03	2710	REAR DIFFERENTIALS (NORMAL DIFF.)	2-H09	4300	CLUTCH & BRAKE PEDALS (MANUAL TRANSMISSION)			
2-C04	2710 A	REAR DIFFERENTIALS (LIMITED SLIP DIFF.)	2-K09	4300A	BRAKE PEDALS (AUTOMATIC TRANSMISSION)			
2-H04	2800	REAR SUSPENSION MECHANISMS	2-M09	4340	BRAKE MASTER CYLINDER & POWER BRAKE (W/O TURBO)			
2-J04	2801	REAR SPRING & DAMPER	2-C10	4340 A	BRAKE MASTER CYLINDER & POWER BRAKE (TURBO)			
2-K04	2810	REAR STABILIZER	2-E10	4360	BRAKE PIPINGS (W/O TURBO)			
2-L04	2830	REAR LOWER ARMS & SUB FRAME	2-G10	4360 A	BRAKE PIPINGS (TURBO)			
2-N04	3200	STEERING WHEEL (W/O AIR BAG)	2-J10	4370	ANTILOCK BRAKE SYSTEM (TURBO)			
2-E05	3200 A	STEERING WHEEL (W/ AIR BAG)	2-N10	4400	PARKING BRAKE SYSTEM			
2-G05	3210	STEERING COLUMN & SHAFTS	2-D11	4500	FUEL PIPINGS			
2-I05	3220 A	STEERING GEAR (W/ POWER STEERING:ENGINE REVOLUTION PER MINUTE SENSOR) (GTU, '90-GX L, '90-CONV-W/O AIR BAG)	2-H11	4600	CHANGE CONTROL SYSTEM (AT)			
2-L05	3220 B	STEERING GEAR (W/ POWER STEERING:VELOCITY SENSOR) (GTUS, '90-G XL, TURBO, '89-CONV, '90-CONV-W/AIR BAG)						
2-C06	3240	POWER STEERING SYSTEM						
2-F06	3300	FRONT AXLE						
2-H06	3310	FRONT BRAKE MECHANISMS						
2-K06	3400	FRONT SUSPENSION MECHANISMS						
2-M06	3401	FRONT SPRING & DAMPER						
2-N06	3410	CROSSMEMBER & STABILIZER						
2-C07	3700	TIRES & JACK						
2-C08	3900	ENGINE & T/MISSION MOUNTINGS (MT)						
2-D08	3900A	ENGINE & T/MISSION MOUNTINGS (AT)						
2-E08	4000	EXHAUST SYSTEM (W/O TURBO)						
2-I08	4000 A	EXHAUST SYSTEM (TURBO)						



4145 CLUTCH PIPINGS (MANUAL TRANSMISSION)

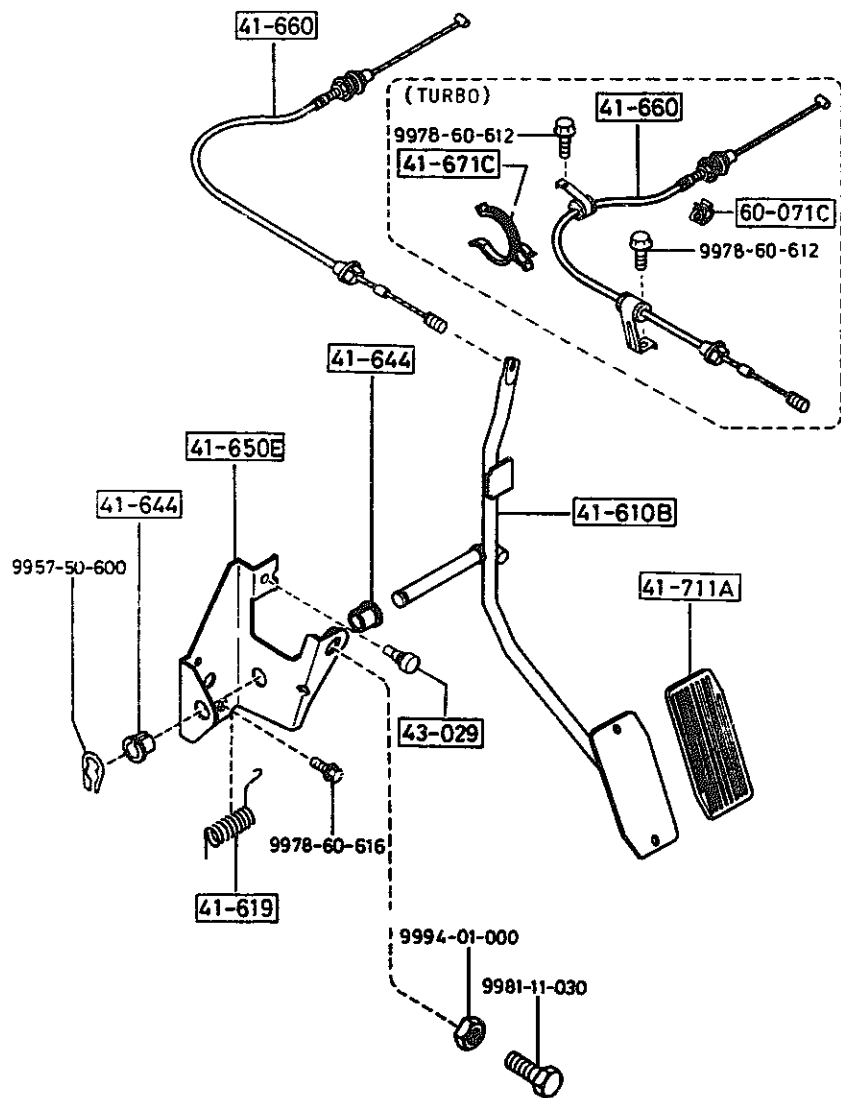
4145 -1 * CLUTCH PIPINGS (MANUAL TRANSMISSION)



PART NO.	QTY	MODEL/RESTRICTION	MODEL/RESTRICTION	MODEL/RESTRICTION	FROM-TO
41-360		HOLDER, CLUTCH			
F044-41-370A	1	(TURBO)			
8871-41-370	1	(W/O TURBO)			
41-380		HOSE, FLEXIBLE			
FB01-41-380	1	(W/O TURBO)			
F044-41-380B	1	(TURBO)			
43-635A		CLIP, FLEXIBLE HOSE			
0136-43-635	1				
45-510		PIPE, CLUTCH			
FB01-45-510A	1	(W/O TURBO)			
FB44-45-510	1	(TURBO)			

4160 ACCELERATOR CONTROL SYSTEM

4160 -1 * ACCELERATOR CONTROL SYSTEM

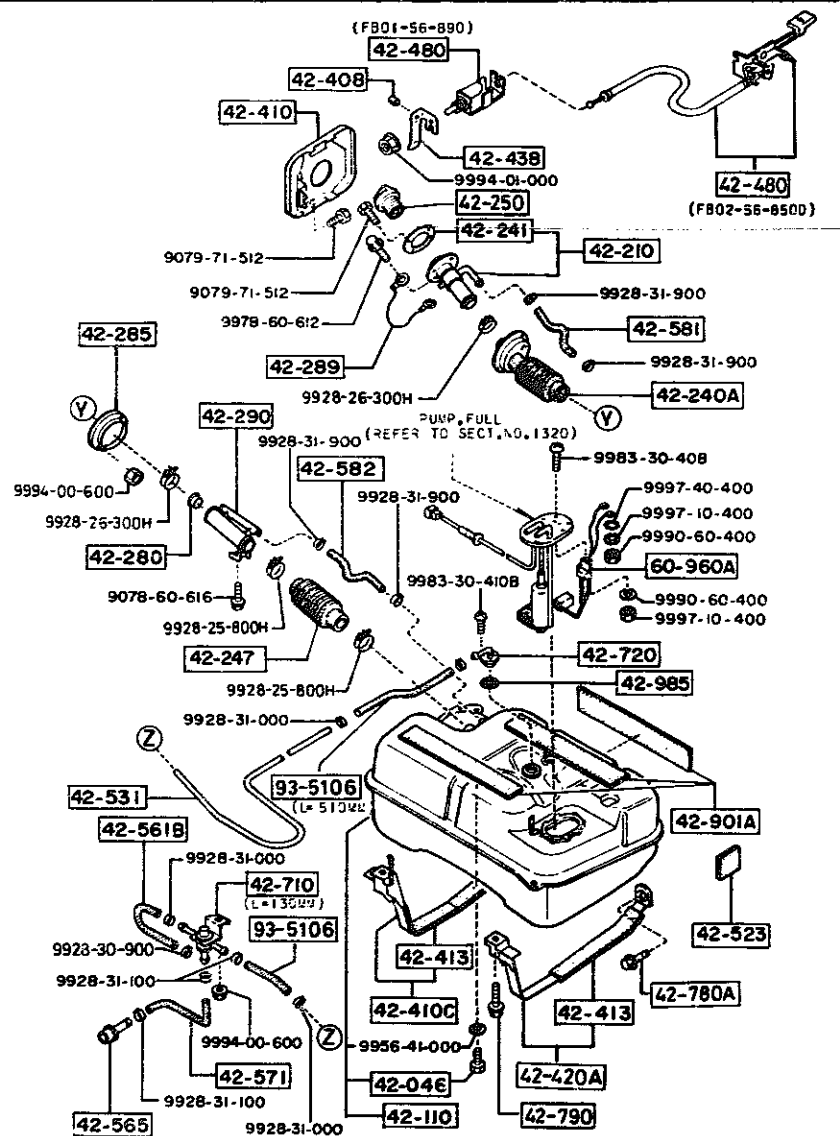


PART NO.	QTY	MODEL/RESTRICTION	MODEL/RESTRICTION	MODEL/RESTRICTION	FROM-TO
41-610B		PEDAL & ARM			
FB01-41-610	1				
41-619		SPRING, RETURN			
8239-41-619	1				
41-644		BUSH			
8092-41-644	2	OIRES KOGYO			
41-650E		RETAINER, ACCEL. ROD			
FB01-41-650A	1 (MT)				
FC08-41-650	1 (AT)				
41-660		CABLE, ACCEL.			
FC01-41-660	1 (W/O TURBO)				
FC17-41-660	1 (TURBO)				
41-671C		CLIP, CABLE			
FC17-41-671	1 (TURBO)				
41-711A		PAD, ACCEL. PEDAL			
FA54-41-711A	1				
43-029		RUBBER, STOPPER			
8001-43-029	1	KUROISHI TEKKO			
60-071C		CLIP			
UB40-60-071	1 (TURBO)				

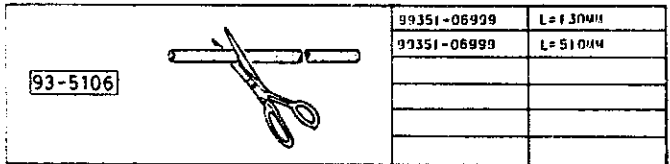
2 D 9

4200 FUEL TANK

4200 -1 FUEL TANK



PART NO.	QTY	MODEL/RESTRICTION	MODEL/RESTRICTION	MODEL/RESTRICTION	FROM-TO
42-046		PLUG,DRAIN			
BC88-42-045	1				
42-110		TANK,FUEL			
FC02-42-110 A (FC02-42-110A)	1				-9113
FC02-42-110A	1				9113-
42-210		PIPE,FILLER			
FB01-42-210B	1				
42-240A		HOSE,JOINT-FILLER PIPE			
FB01-42-240E	1				
42-241		GASKET,FILLER PIPE			
0866-42-366B	1				
42-247		HOSE,JOINT-FUEL TANK SIDE			
FB01-42-247A	1				
42-250		CAP,FILLER			
FC01-42-250	1				-9601
FC02-42-250	1				9601-
42-280		VALVE,NON RETURN			
GB53-42-270	1				
42-285		REINF.,JOINT HOSE-FUEL			
FB01-42-285	1				
42-289		WIRE,EARTH-FILLER PIPE			
FB01-42-289	1				
42-290		PIPE,FILLER NO.2			
FB01-42-290	1				
42-408		STOPPER,FILLER LID			
8871-70-491	1				
42-410		LID,FUEL FILLER			
FB01-42-410B	1				



9113 FC3***-700067
9601 FC3***-708021

992-05

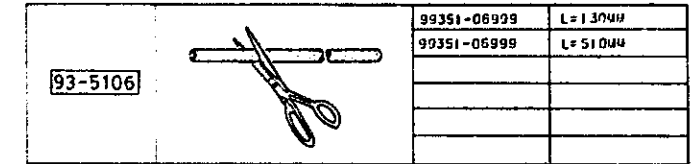
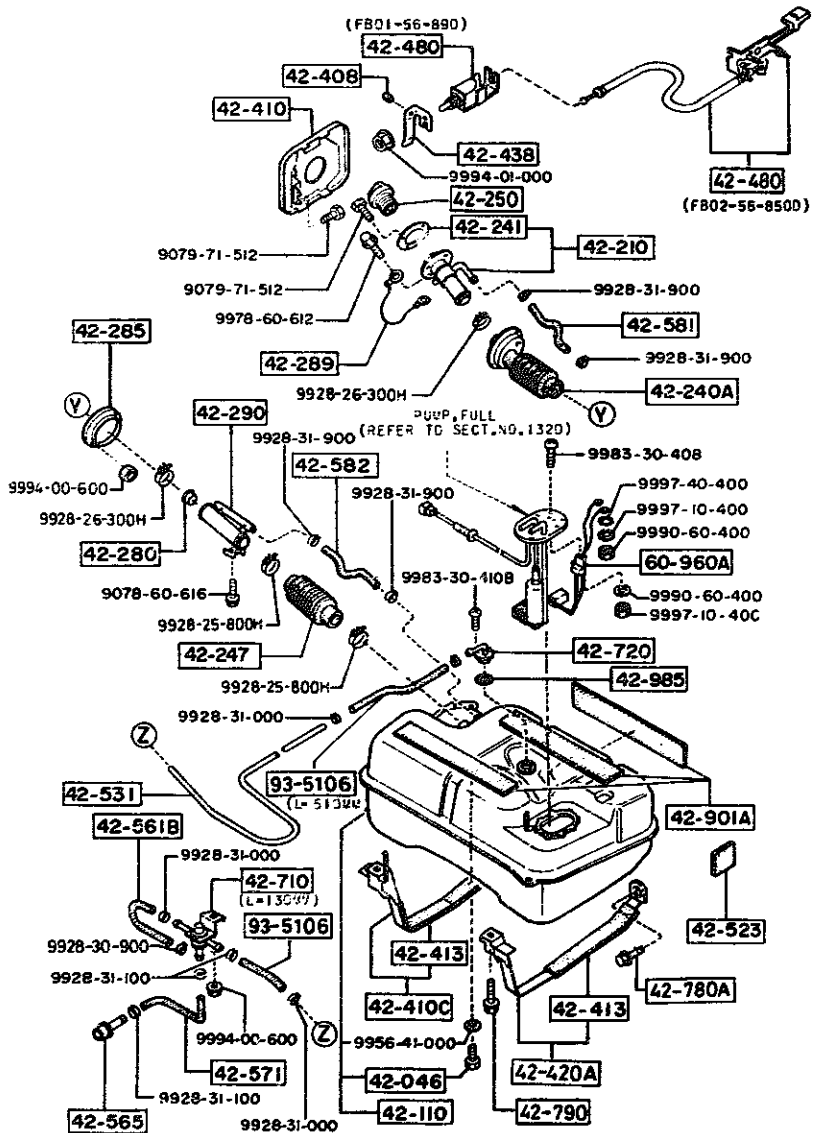
AUFA02

CAT. AUFA02-06

1992-05

4200 FUEL TANK

4200 -2 FUEL TANK



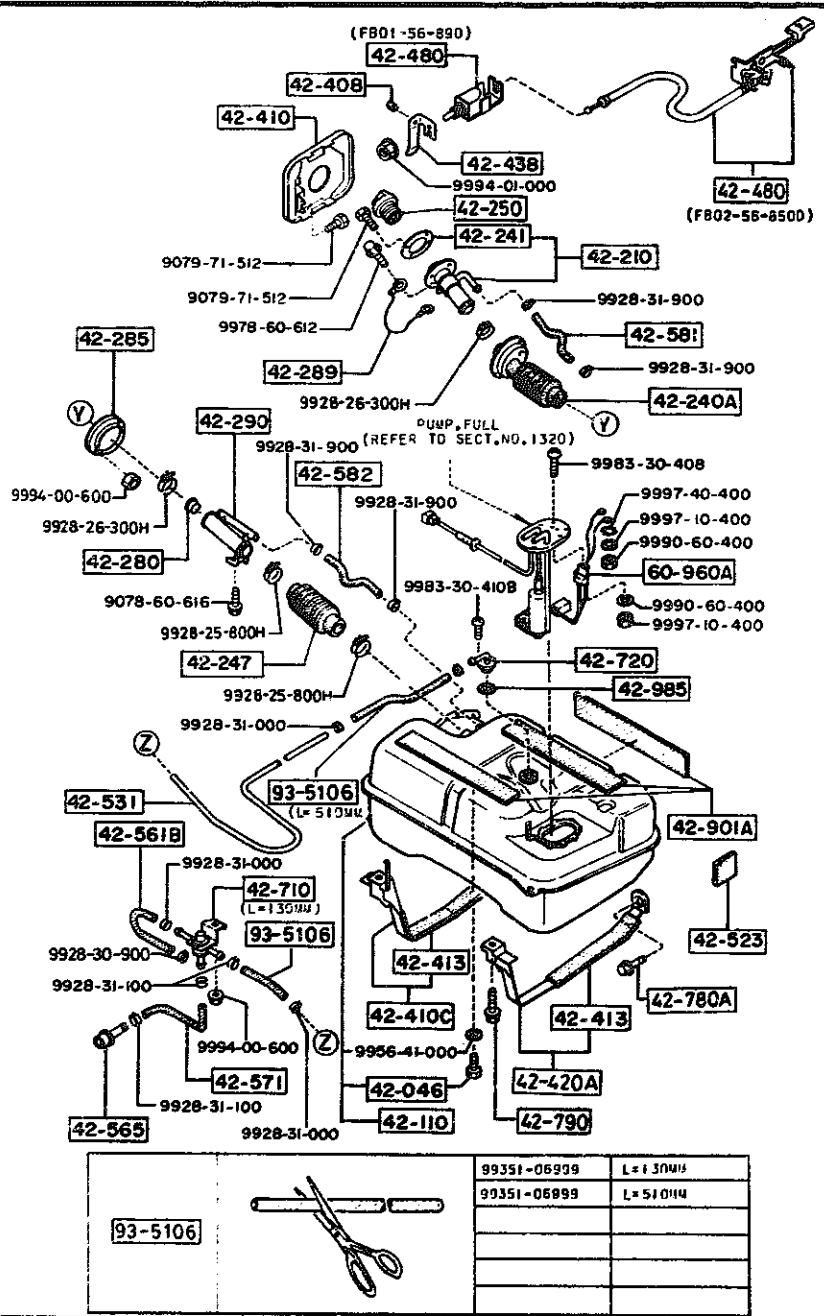
PART NO.	QTY	MODEL/RESTRICTION	MODEL/RESTRICTION	MODEL/RESTRICTION	FROM-TO
42-410C		BAND(R), TANK FIX.			
FB71-42-710	1				
42-413		SHEET.			
FB71-42-715	2				
42-420A		BAND(L), TANK FIX.			
FC01-42-720	1				
42-438		SPRING, LIFT			
FB01-42-451C	1				
42-480		OPENER, FILLER LID			
FB02-56-8500	1				
FB01-56-890	1				
42-523		PAD, FUEL TANK			
8531-42-762A	1				
42-531		PIPE, EVAPORATION			
FB01-42-531B	1				
42-561B		HOSE, EVAPOLATION			
FB01-42-561A	1				
42-565		PLUG, DRAIN-VENT. HOSE			
FB01-42-565	1				
42-571		HOSE, VENT			
FB01-42-562	1				
42-581		HOSE, BREATHER			
FB01-42-245A	1				
42-582		HOSE, BREATHER			
FB01-42-248	1				
42-710		VALVE, CHECK			
FB01-42-910A	1				

POM-TO
-0101
01-
-9315
315-

AUFA02

CAT. AUFA02-06

1992-05



PART NO.	QTY	MODEL/RESTRICTION	MODEL/RESTRICTION	MODEL/RESTRICTION	FROM-TO
42-720		VALVE, FUEL VAPOR.			
FB01-42-930	1				
42-780A		SCREW 'A', FIXING BAND			
H260-42-780	2				
42-790		SCREW 'B', FIXING BAND			
H260-42-790	2				
42-901A		INSULATOR			
FB01-42-761	3				
42-985		GASKET, VAPOR VALVE			
FB01-42-985	1				
60-960A		GAUGE, FUEL TANK			
FC02-60-960	1				
93-5106		HOSE			
99351-06999	2				

FROM-TO

-9315

15-

01-

-9501

01-

-0101

01-

1992-05

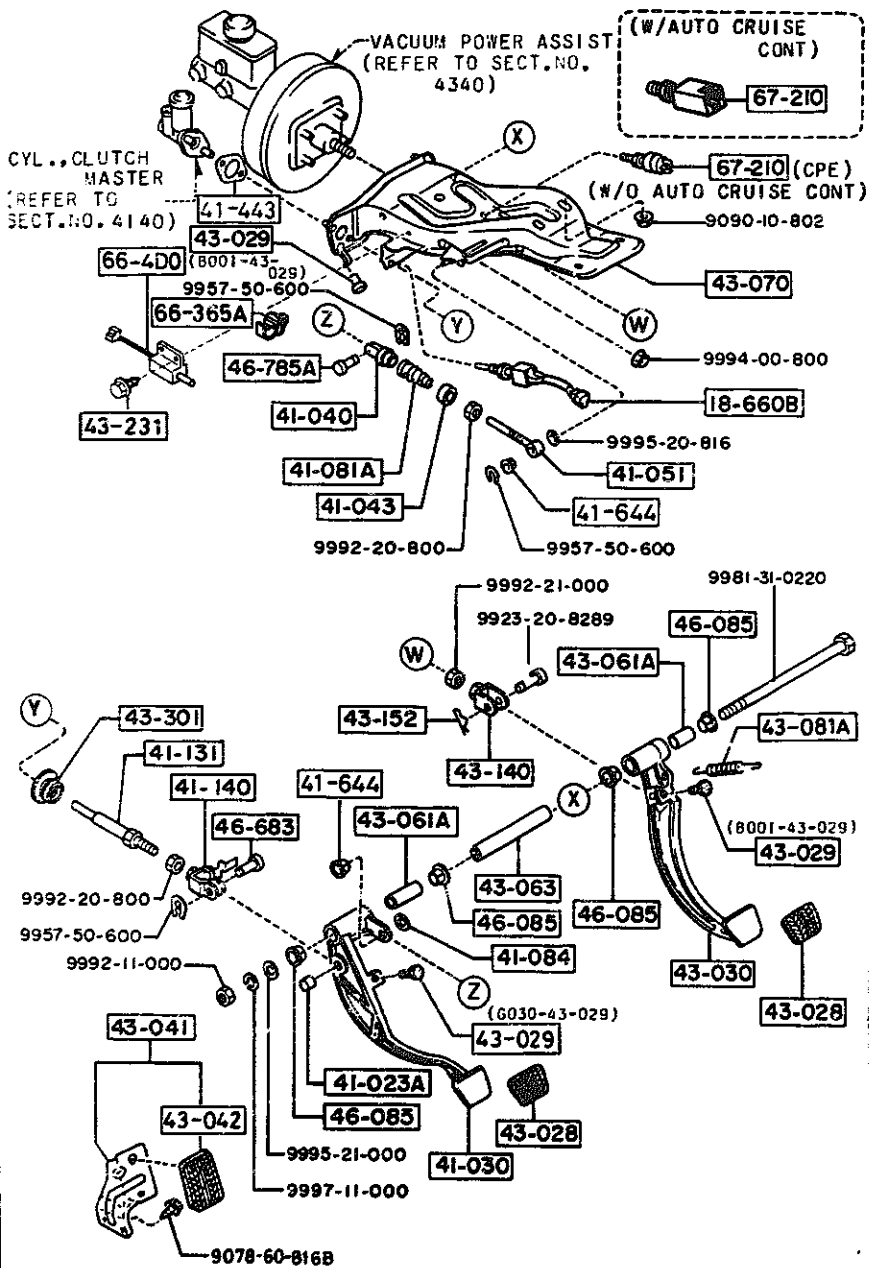
AUFA02

CAT. AUFA02-06

1992-05

2-G-9

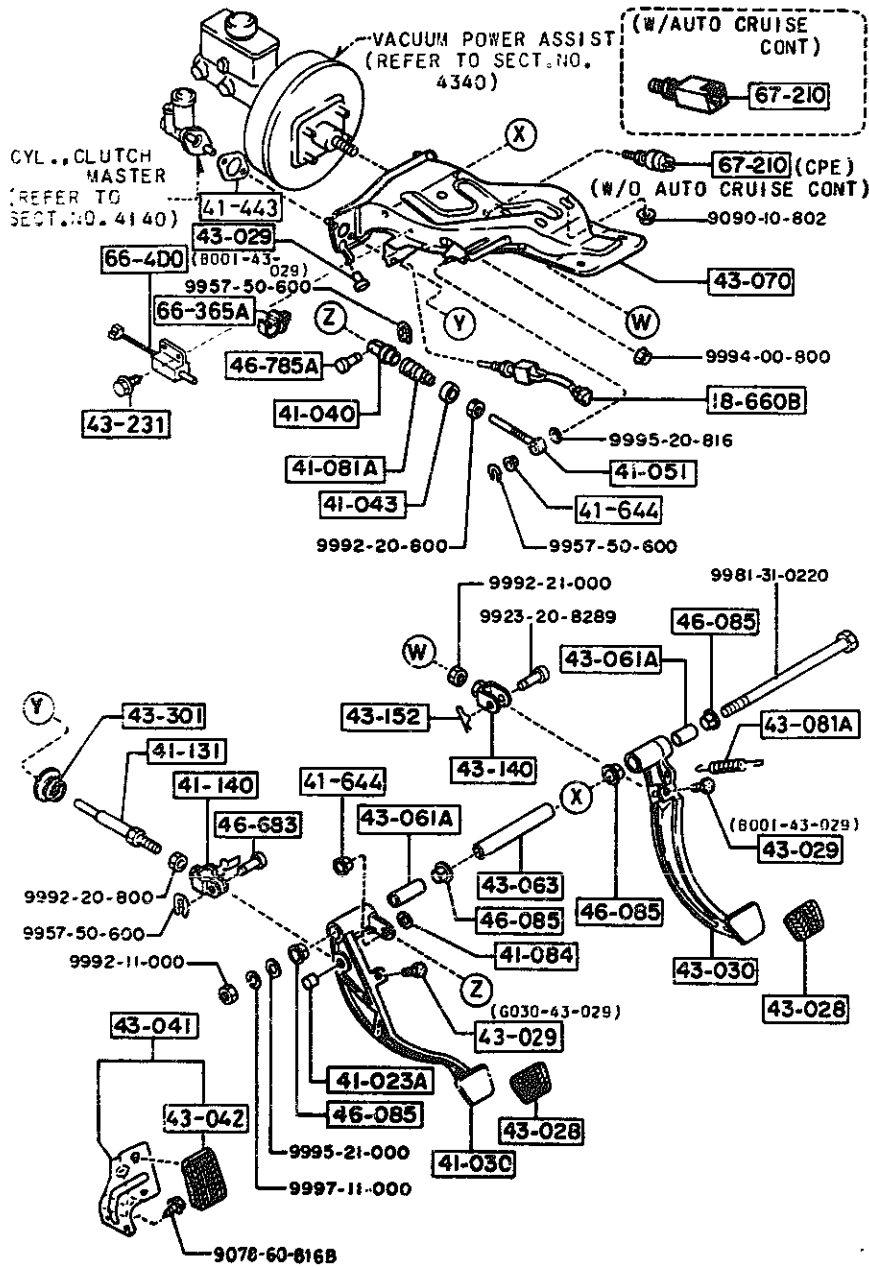
4300 CLUTCH & BRAKE PEDALS (MANUAL TRANSMISSION)



4300 -1 CLUTCH & BRAKE PEDALS (MANUAL TRANSMISSION)

PART NO.	QTY	MODEL/RESTRICTION	MODEL/RESTRICTION	MODEL/RESTRICTION	FROM-TO
18-660B		SWITCH, CLUTCH			
LA01-66-490A	1				
41-023A		BUSH			
0727-41-023	1				
41-030		PEDAL, CLUTCH			
FB01-41-031C	1				
41-040		SHEET, SPRING			
W090-41-041	1				
41-043		SHEET, SPRING			
0183-41-043	1				
41-051		ROD, CLUTCH PEDAL			
0824-41-051A	1				
41-081A		SPRING, RETURN			
0559-41-081A	1				
41-084		SPACER			
0824-41-084	1				
41-131		ROD, PUSH			
0727-41-131	1				
41-140		FORK, CLUTCH			
FB05-41-140A	1				
41-443		GASKET			
H001-41-443	1				
41-644		BUSH			
0259-41-644	2	ONDO KOSAKUSHO			
43-028		PAD, PEDAL			
S083-43-028	2				
43-029		RUBBER, STOPPER			

4300 CLUTCH & BRAKE PEDALS (MANUAL TRANSMISSION)



PART NO.	QTY	MODEL/RESTRICTION	MODEL/RESTRICTION	MODEL/RESTRICTION	FROM-TO
CONT'D					
B001-43-029	2	KUROISHI TEKKO			
G030-43-029	1	OIRES KOGYO			
43-030		PEDAL, BRAKE			
FB01-43-031	1				
43-041		REST, FOOT			
FB01-43-040B	1				
43-042		PAD, FOOT REST			
FB01-43-042	1				
43-061A		PIPE, PEDAL			
0866-43-062	2				
43-063		SPACER			
FB01-43-063	1				
43-070		BRACKET, MASTER CYL.			
FB05-43-070A	3				
43-081A		SPRING, RETURN-BRAKE			
B092-41-081	1				
43-140		FORK, BRAKE			
FB01-43-140	1				
HF05-43-140	1				
43-152		PIN, SNAP			
D001-43-152	1				
43-231		BOLT, CLUTCH CUT SWIT CH			
GE68-43-231	2				
43-301		PROTECTOR			
H001-43-301	1				
46-085		BUSH			
1015-46-085	4				
5601 FC3MM-708021					

FROM-TO

9A01-

9A01-

9A01-

9501-

9501-

9501-

9501-

1992-05

-9601

9601-

AUFA72

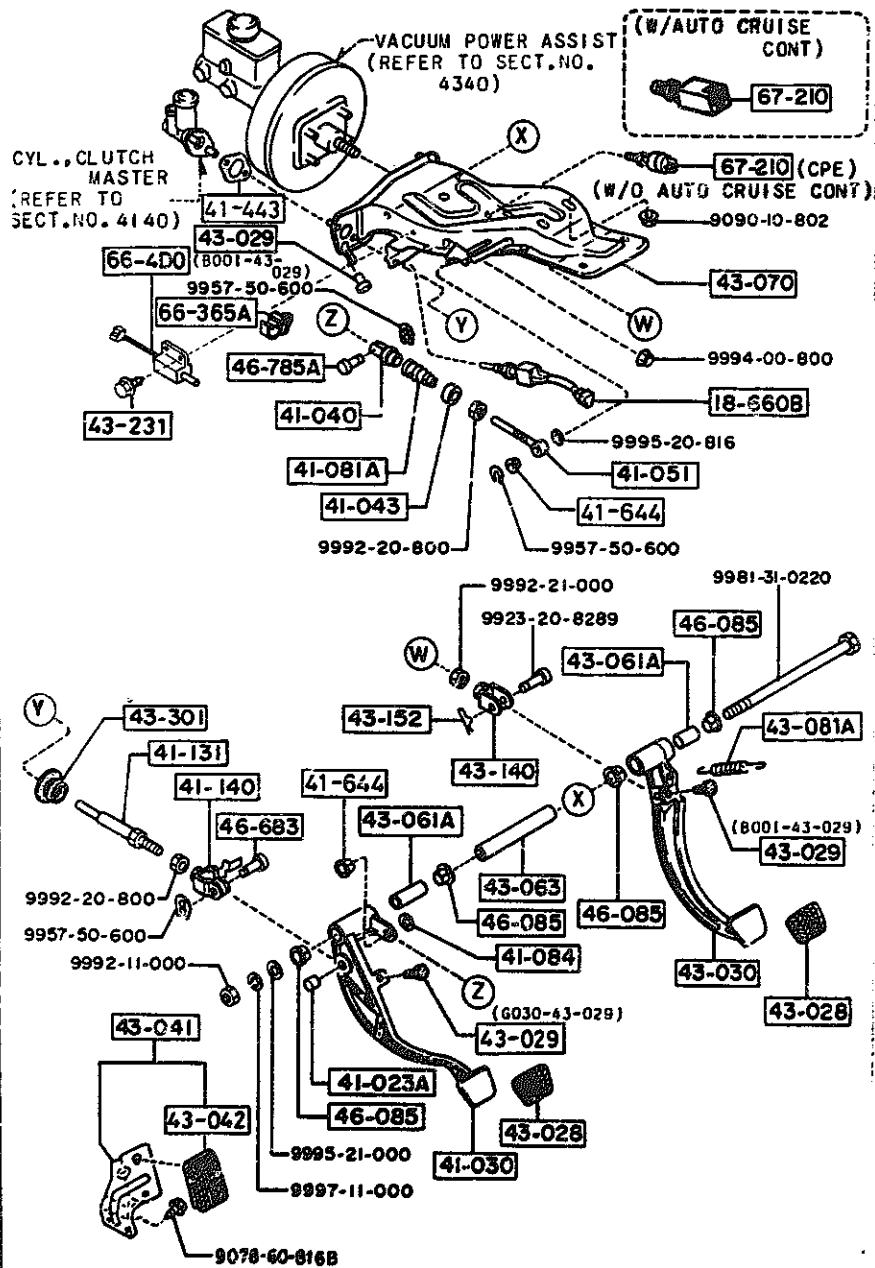
CAT. AUFA02-06

1992-05

0M-TO
-9501
11-
11-
-0101
11-
-9315
15-
-9315
15-
992-05

4300 -3 M CLUTCH & BRAKE PEDALS (MANUAL TRANSMISSION)

4300 CLUTCH & BRAKE PEDALS (MANUAL TRANSMISSION)



PART NO.	QTY	MODEL/RESTRICTION	MODEL/RESTRICTION	MODEL/RESTRICTION	FROM-TO
46-683		PIN			
0187-46-683	1				
46-785A		PIN			
0604-46-785	1				
66-365A		CLIP			
8258-66-365	1				
66-4D0		SWITCH, CLUTCH CUT			
FB01-66-400	1				
67-210		SWITCH, LIGHT-BRAKE			
8002-65-490A	1	GTU, GTUS, (W/O AUTO CRUISE CONT.) (CPE)			
BR70-66-490 A (BR70-66-490A)	1				-9303
BR70-66-491A	1	GXL, TURBO, CONV, (W/AUTO CRUISE CONT)			9303-
9303 FC3MXX-704336					

AUFA02

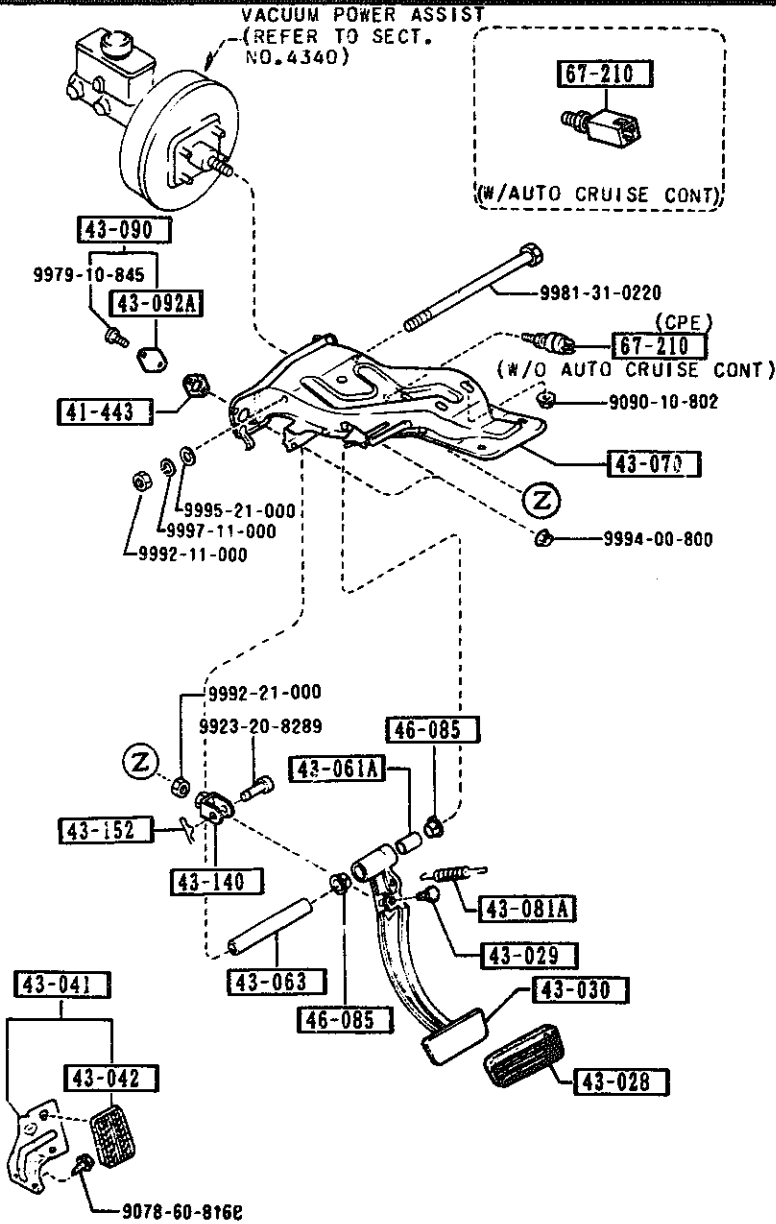
CAT. AUFA02-06

1492-05

219

4300A -1 BRAKE PEDALS (AUTOMATIC TRANSMISSION)

4300A BRAKE PEDALS (AUTOMATIC TRANSMISSION)



PART NO.	QTY	MODEL/RESTRICTION	MODEL/RESTRICTION	MODEL/RESTRICTION	FROM-TO
41-443		GASKET			
HD01-41-443	1				
43-028		PAD, PEDAL			
FB01-43-028A	1				
43-029		RUBBER, STOPPER			
B001-43-029	1	KURDISHI TEKKO			
43-030		PEDAL, BRAKE			
FB02-43-031	1				
43-041		REST, FOOT			
FB01-43-040B	1				
43-042		PAD, FOOT REST			
FB01-43-042	1				
43-061A		PIPE, PEDAL			
0866-43-062	1				
43-063		SPACER			
FB01-43-063	1				
43-070		BRACKET, MASTER CYL.			
FB01-43-070E	1				
43-081A		SPRING, RETURN-BRAKE			
B092-41-081	1				
43-090		PLATE			
FB02-43-090A	1				
43-092A		PLATE			
1525-43-092	1				
43-140		FORK, BRAKE			
FB01-43-140	1				-9601
HF05-43-140	1				9601-

9601 FC3MM-708021

AUFA02

CAT. AUFA02-06

1992-05

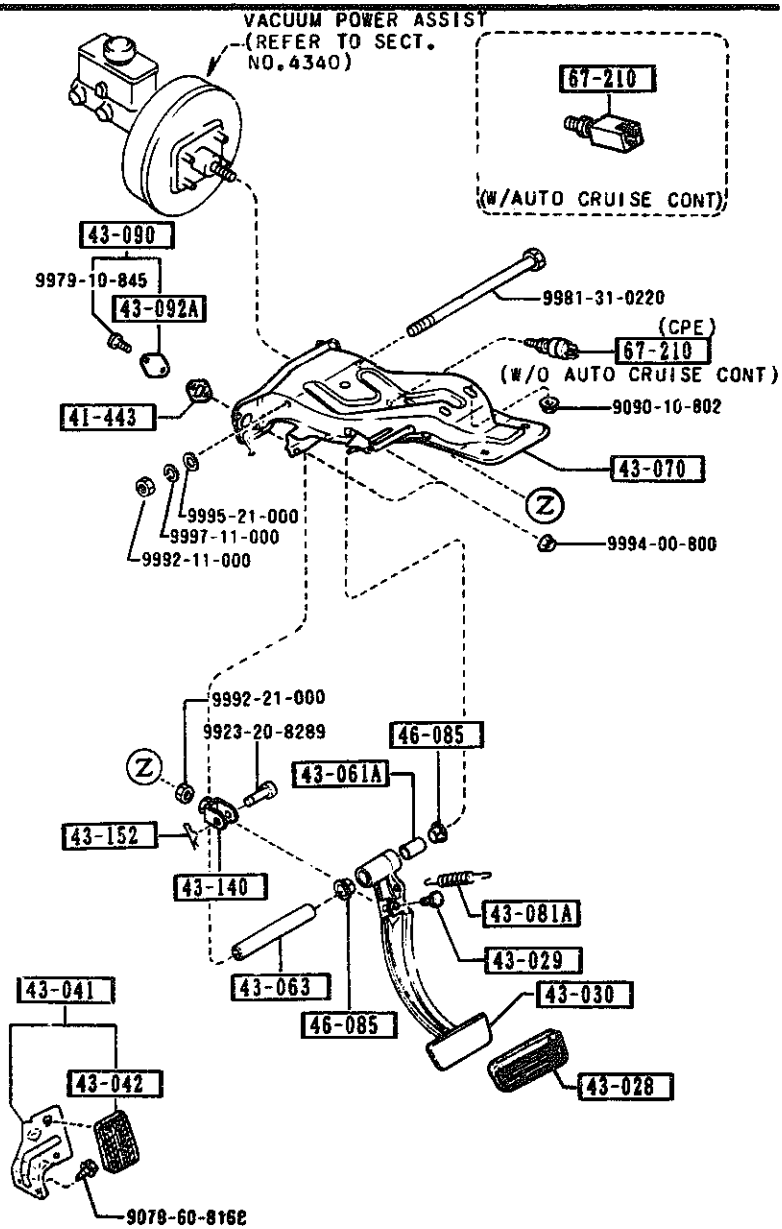
2-K 9

FROM TO

-0101

4300A -2 # BRAKE PEDALS (AUTOMATIC TRANSMISSION)

4300A BRAKE PEDALS (AUTOMATIC TRANSMISSION)



PART NO.	QTY	MODEL/RESTRICTION	MODEL/RESTRICTION	MODEL/RESTRICTION	FROM TO
43-152		PIN, SNAP			
D001-43-152	1				
46-085		BUSH			
1015-46-085	2				
67-210		SWITCH, LIGHT-BRAKE			
B002-66-490A	1	GTU, GTUS, (W/O AUTO CRUISE CONT.) (CPE)			
BR70-6-490 A (BR70-66-490A)	1				-9303
BR70-66-490A	1	GXL, TURBO, CONV, (W/AUTO CRUISE CONT)			9303-

9303 FC3MM-704336

1992-05

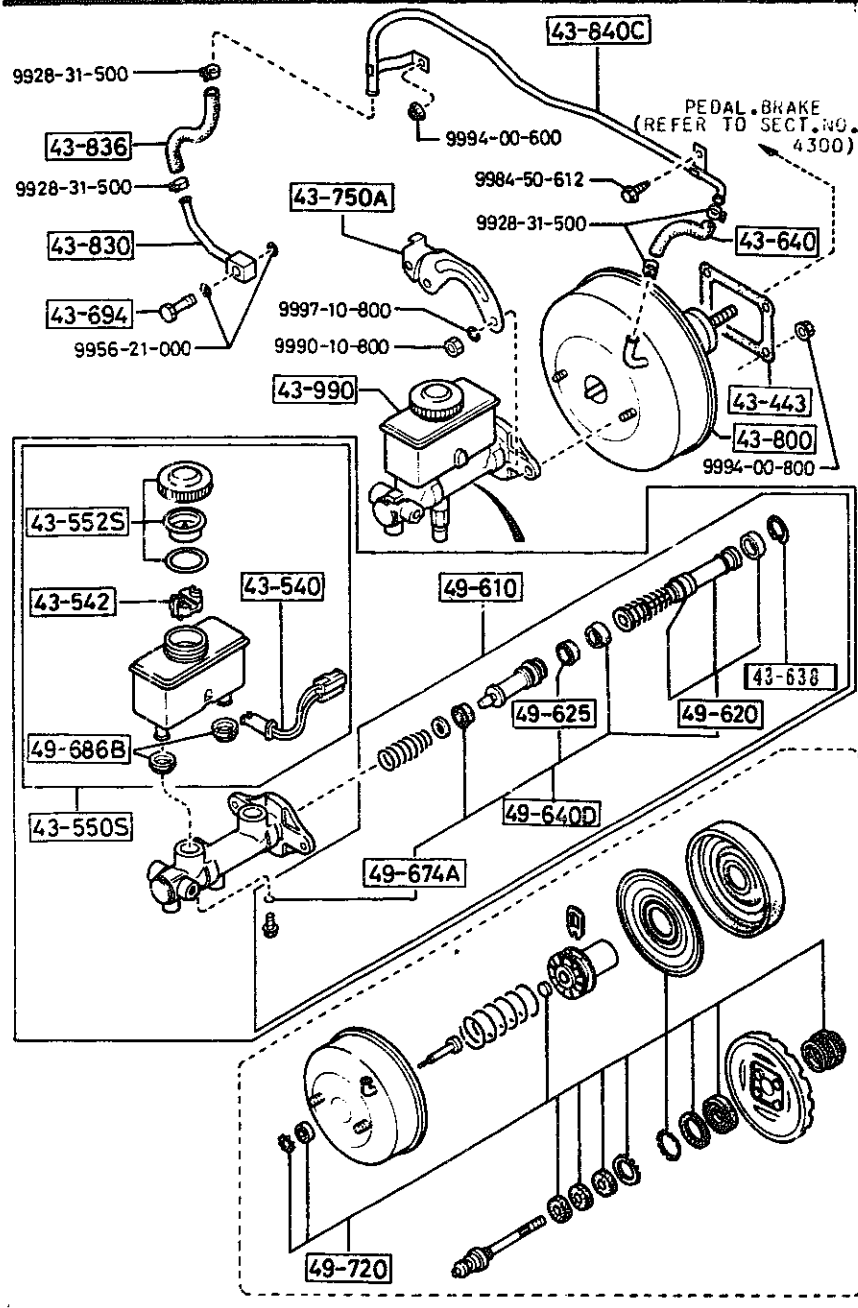
AUFA02

CAT. AUFA02-06

1992-05

4340 BRAKE MASTER CYLINDER & POWER BRAKE
(W/O TURBO)

4340 -1 BRAKE MASTER CYLINDER & POWER BRAKE
(W/O TURBO)



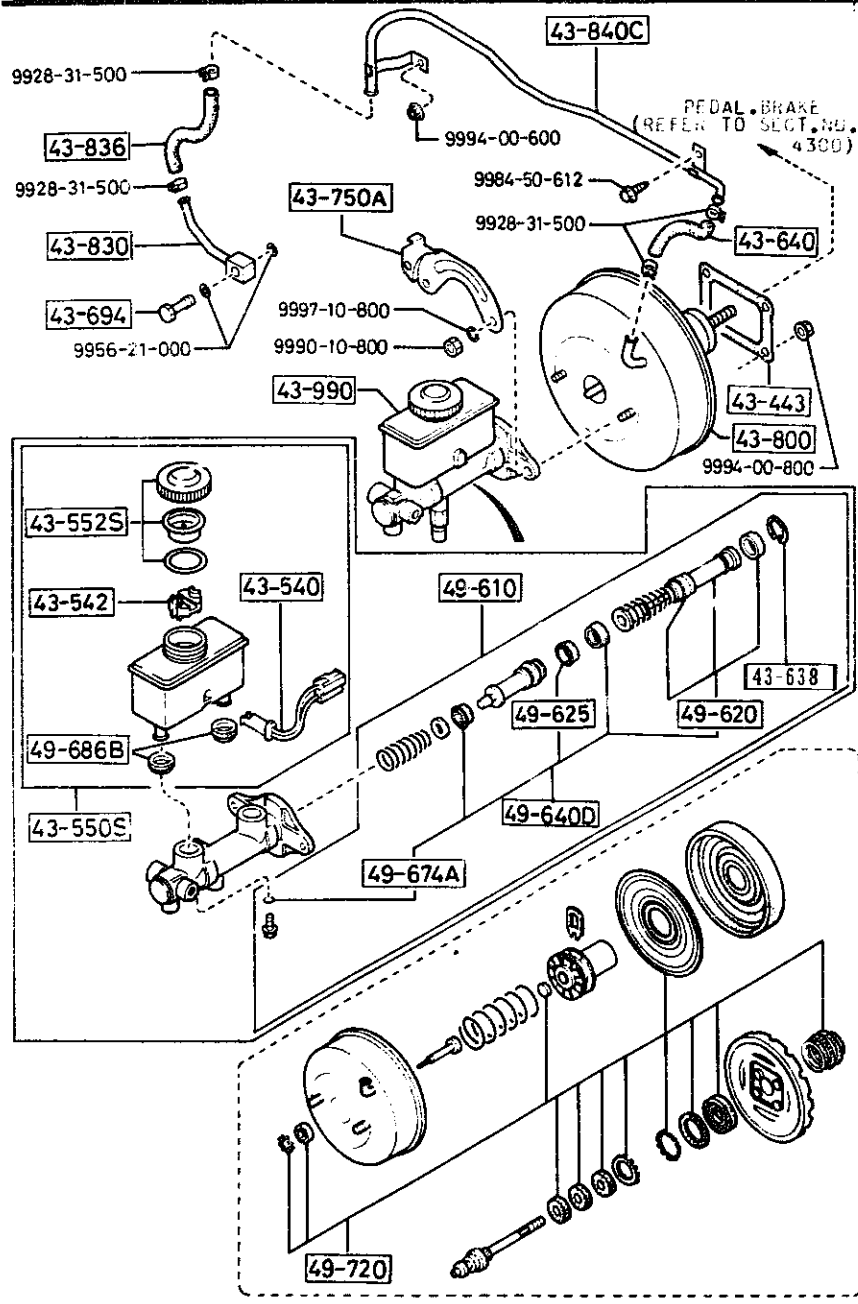
PART NO.	QTY	MODEL/RESTRICTION	MODEL/RESTRICTION	MODEL/RESTRICTION	FROM-TO
43-443		GASKET, VAC POWER AS			
H301-43-443	1	SIST NON ASBESTOS			
43-540		INDICATOR, LEVEL			
FB01-43-540	1				
43-542		FLOAT			
3597-43-542	1				
43-550S		TANK SET, RESERVE			
FB01-49-680	1				
43-552S		CAP SET, RESERVE TANK			
B093-49-580	1				
43-638		RING, RETAINING			
GA02-49-638	1				
43-640		HOSE, VACUUM			
FB01-43-640	1				
43-694		BOLT, CONNECTOR			
8573-43-694	1				
43-750A		HOLDER, P. B. VALVE			
FB01-43-750	1				
43-800		VACUUM POWER ASSIST			
FB05-43-800D	1				
43-830		PIPE, VACUUM			
FB01-43-830A	1				
43-836		HOSE, VACUUM			
FB01-43-836	1				
43-840C		PIPE, VACUUM			
FB01-43-840	1				-9701
AN(FB01-43-840A)					
FB01-43-840A	1				9701-
9701 FC3MNH-709151					

AUFA02

CAT. AUFA02-06

1992-05

4340 BRAKE MASTER CYLINDER & POWER BRAKE
(W/O TURBO)



4340 -2 * BRAKE MASTER CYLINDER & POWER BRAKE
(W/O TURBO)

PART NO.	QTY	MODEL/RESTRICTION	MODEL/RESTRICTION	MODEL/RESTRICTION	FROM-TO
43-990		CYL., TANDEM MASTER			
FB02-43-400C	1				
49-610		PARTS KIT, INN.-BRAKE			
FB05-49-610 AN(FB05-49-610A)	1				-0201
FB05-49-610A	1				0201-
49-620		PISTON, PRIMARY			
FB05-49-620 AN(FB05-49-620A)	1				-0201
FB05-49-620A	1				0201-
49-625		CUP, SECONDARY			
FB01-49-625	1				-0201
49-640D		PARTS KIT, INNER			
FB05-49-640 AN(FB05-49-640A)	1				-0201
FB05-49-640A	1				0201-
49-674A		RING, 'O'-MASTER CYL.			
99541-00403	1				
49-686B		BUSH, ELBOW JOINT			
0305-49-686B	2				
49-720		REPAIR KIT			
FB05-49-720	1				
0201 FC3NNN-806074					

AUFA02

CAT. AUFA02-06

1992-05

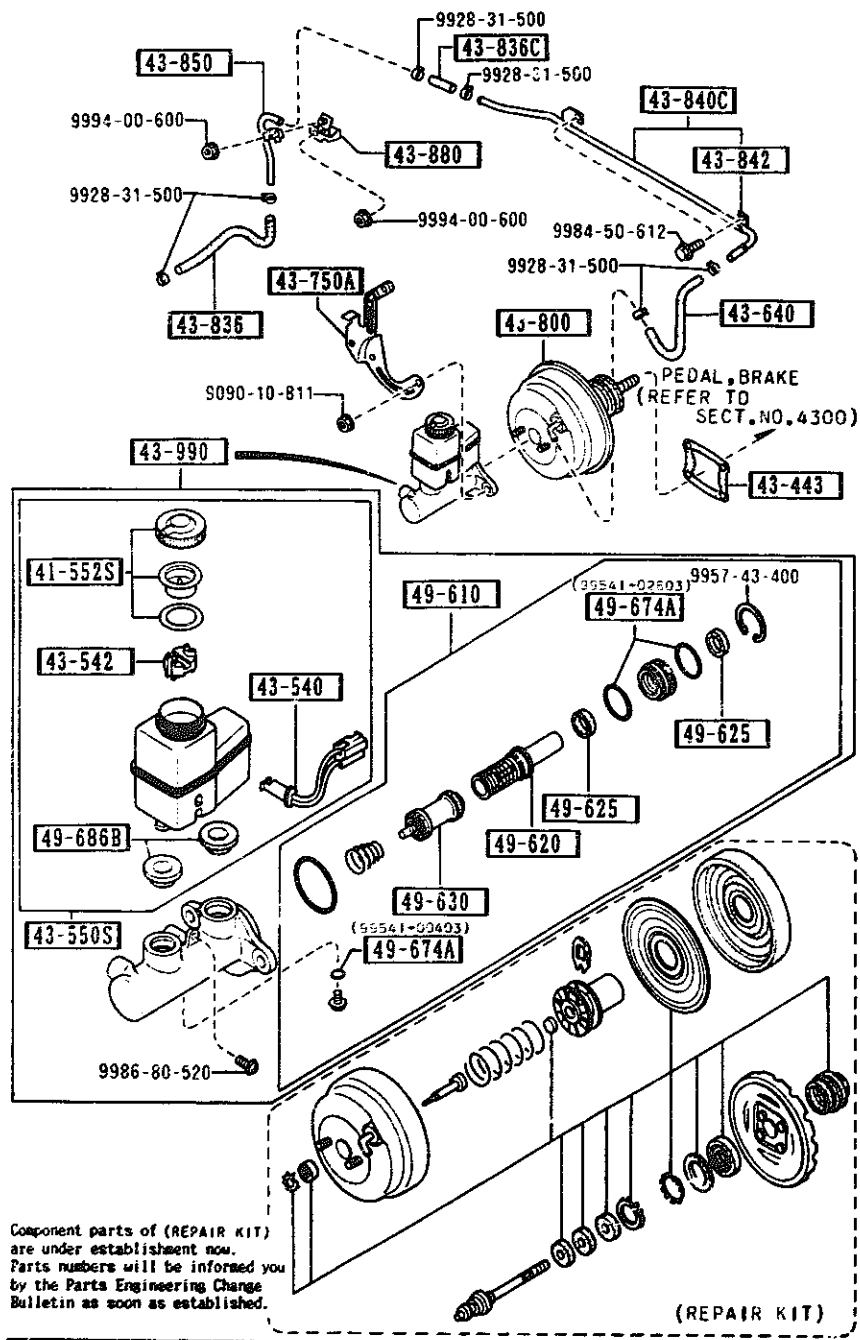
SECTION NAME INDEX (CHASSIS)

LO.NO	SEC.NO	SECTION NAME	LO.NO	SEC.NO	SECTION NAME	LO.NO	SEC.NO	SECTION NAME
2-C03	2505	REAR PROPELLER SHAFT	2-M08	4140	CLUTCH RELEASE & MASTER CYLINDERS (MANUAL TRANSMISSION)			
2-D03	2550	REAR DRIVE SHAFT	2-C09	4145	CLUTCH PIPINGS (MANUAL TRANSMISSION)			
2-E03	2600	REAR AXLE	2-D09	4160	ACCELERATOR CONTROL SYSTEM			
2-G03	2610	REAR BRAKE MECHANISMS	2-E09	4200	FUEL TANK			
2-K03	2710	REAR DIFFERENTIALS (NORMAL DIFF.)	2-H09	4300	CLUTCH & BRAKE PEDALS (MANUAL TRANSMISSION)			
2-C04	2710 A	REAR DIFFERENTIALS (LIMITED SLIP DIFF.)	2-K09	4300A	BRAKE PEDALS (AUTOMATIC TRANSMISSION)			
2-H04	2800	REAR SUSPENSION MECHANISMS	2-M09	4340	BRAKE MASTER CYLINDER & POWER BRAKE (W/O TURBO)			
2-J04	2801	REAR SPRING & DAMPER	2-C10	4340 A	BRAKE MASTER CYLINDER & POWER BRAKE (TURBO)			
2-K04	2810	REAR STABILIZER	2-E10	4360	BRAKE PIPINGS (W/O TURBO)			
2-L04	2830	REAR LOWER ARMS & SUB FRAME	2-G10	4360 A	BRAKE PIPINGS (TURBO)			
2-N04	3200	STEERING WHEEL (W/O AIR BAG)	2-J10	4370	ANTILOCK BRAKE SYSTEM (TURBO)			
2-E05	3200 A	STEERING WHEEL (W/ AIR BAG)	2-N10	4400	PARKING BRAKE SYSTEM			
2-G05	3210	STEERING COLUMN & SHAFTS	2-D11	4500	FUEL PIPINGS			
2-I05	3220 A	STEERING GEAR (W/ POWER STEERING: ENGINE REVOLUTION PER MINUTE SENSOR) (GTU, '90-GX L, '90-CONV-W/O AIR BAG)	2-H11	4600	CHANGE CONTROL SYSTEM (AT)			
2-L05	3220 B	STEERING GEAR (W/ POWER STEERING: VELOCITY SENSOR) (GTUS, '90-G XL, TURBO, '89-CONV, '90-CONV-W/AIR BAG)						
2-C06	3240	POWER STEERING SYSTEM						
2-F06	3300	FRONT AXLE						
2-H06	3310	FRONT BRAKE MECHANISMS						
2-K06	3400	FRONT SUSPENSION MECHANISMS						
2-M06	3401	FRONT SPRING & DAMPER						
2-N06	3410	CROSSMEMBER & STABILIZER						
2-C07	3700	TIRES & JACK						
2-C08	3900	ENGINE & T/MISSION MOUNTINGS (MT)						
2-D08	3900A	ENGINE & T/MISSION MOUNTINGS (AT)						
2-E08	4000	EXHAUST SYSTEM (W/O TURBO)						
2-I08	4000 A	EXHAUST SYSTEM (TURBO)						



4340 A BRAKE MASTER CYLINDER & POWER BRAKE (TURBO)

4340 A-1 BRAKE MASTER CYLINDER & POWER BRAKE (TURBO)



Component parts of (REPAIR KIT) are under establishment now. Parts numbers will be informed you by the Parts Engineering Change Bulletin as soon as established.

(REPAIR KIT)

PART NO.	QTY	MODEL/RESTRICTION	MODEL/RESTRICTION	MODEL/RESTRICTION	FROM-TO
41-552S H115-49-580A	1	CAP SET, RESERVE TANK			
43-443 H001-43-443	1	GASKET, VAC POWER ASSIST NON ASBESTOS			
43-540 F065-43-540	1	INDICATOR, LEVEL			
43-542 3597-43-542	1	FLOAT			
43-550S F065-43-552A	1	TANK SET, RESERVE			
43-640 FC18-43-640A	1	HOSE, VACUUM			
43-750A FC39-43-750	1	HOLDER, P. B. VALVE			-9120
FC39-43-750A A (FC39-43-750B)	1				9120-9404
FC39-43-750B A (FC39-43-750C)	1				9404-9701
FC39-43-750C	1				9701-
43-800 FC06-43-800 C (FC06-43-800A)	1	VACUUM POWER ASSIST			-0101
FC06-43-800A	1				0101-
43-836 FB44-43-836B	1	HOSE, VACUUM			
43-836C 2192-43-835A	1	HOSE, VACUUM			
43-840C FC18-43-840	1	PIPE, VACUUM			
FC06-43-800 HF05-43-140 C FC06-43-800A			9120 FC3***-700643 9404 FC3***-705483 9701 FC3***-709151 0101 FC3***-805489		

CAT. AUFAD2-06

1992-05

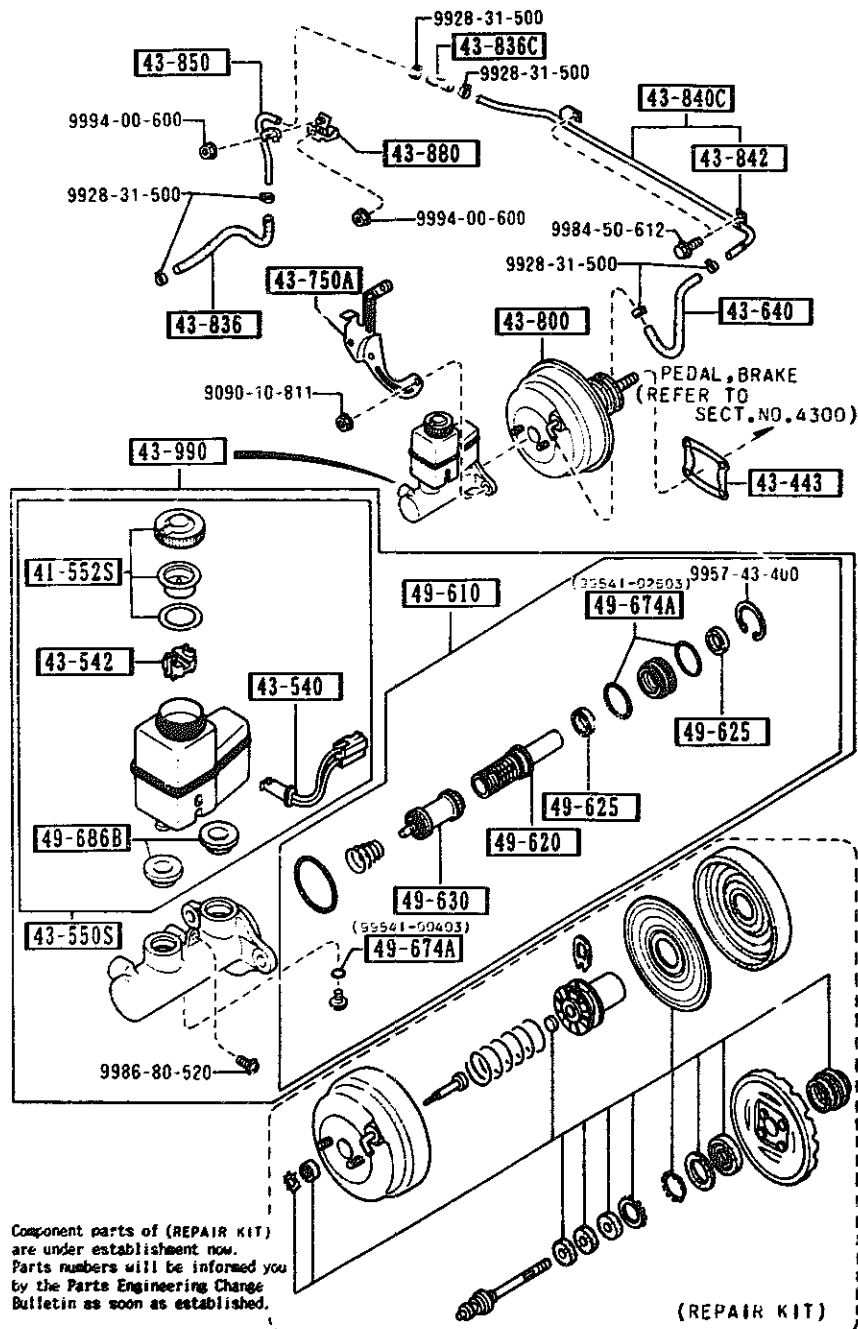
OM-10

992-05

AUFA02

4340 A BRAKE MASTER CYLINDER & POWER BRAKE
(TURBO)

4340 A-2 * BRAKE MASTER CYLINDER & POWER BRAKE
(TURBO)



Component parts of (REPAIR KIT) are under establishment now. Parts numbers will be informed you by the Parts Engineering Change Bulletin as soon as established.

PART NO.	QTY	MODEL/RESTRICTION	MODEL/RESTRICTION	MODEL/RESTRICTION	FRGM-TO
43-842		HOSE, VACUUM			
0437-43-842	1				-9501
43-850		PIPE, VACUUM			
FB44-43-850B	1				
43-880		BRACKET, VACUUM PIPE			
FB44-43-880B	1				
43-790		CYL., TANDEM MASTER			
FCY8-43-40Z	1				
49-610		PARTS KIT, INN.-BRAKE			
B4Y3-43-41Z	1				
49-620		PISTON, PRIMARY			
B531-43-62Z AN(B533-43-62Z)	1				-9110
B533-43-62Z	1				9110-
49-625		CUP, SECONDARY			
B252-49-625	2				
49-630		PISTON, FLOATING			
B531-43-63Z AN(B533-43-63Z)	1				-9110
B533-43-63Z	1				9110-
49-674A		RING, 'O'-MASTER CYL.			
99541-00403	1				
99541-02603	2				
49-686B		BUSH, ELBOW JOINT			
0305-49-686B	2				

9110 FC3MXX-700067
9501 FC3MXX-707092

CAT AUFA02-06

1992-05

AUFA02

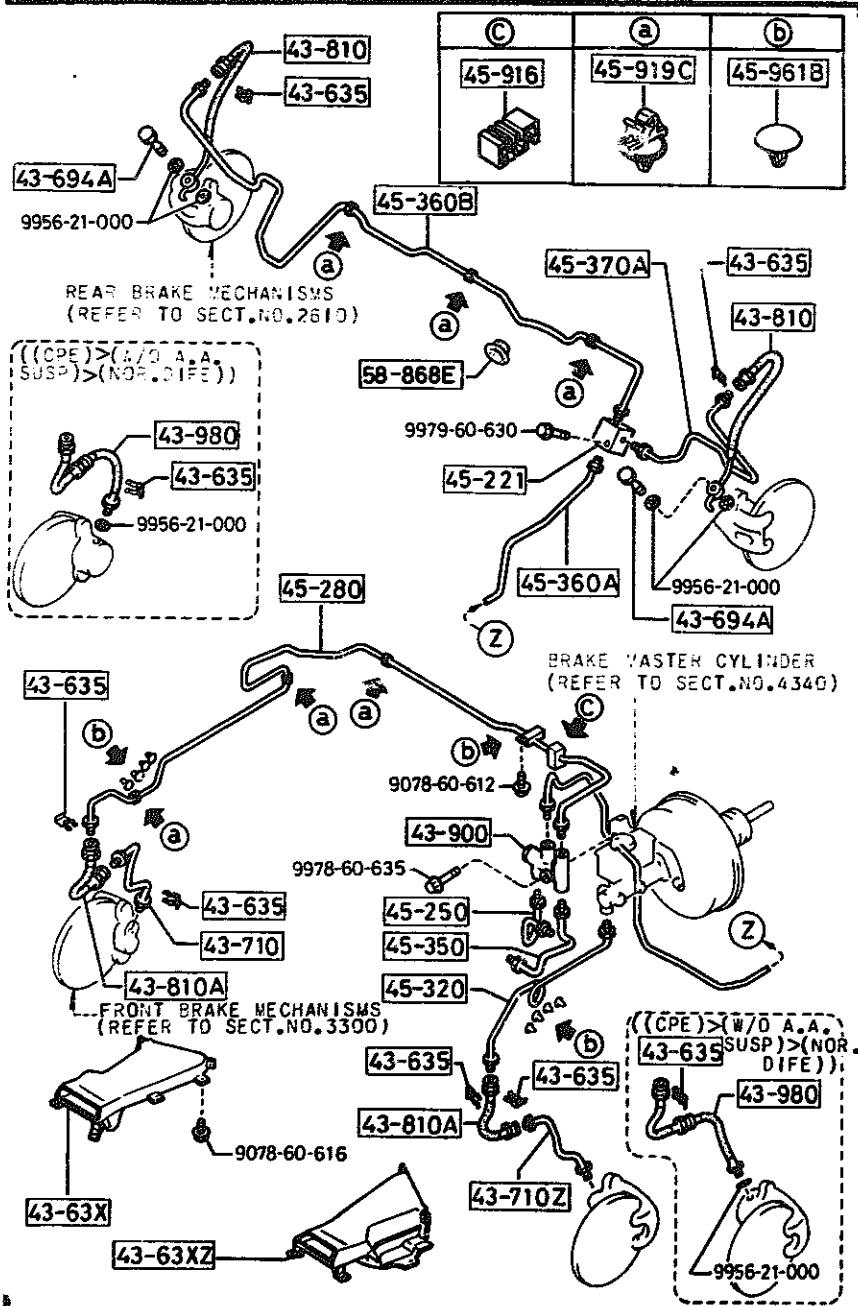
2-D10

992-05

ROM-70

4360 BRAKE PIPINGS (W/O TURBO)

4360 -1 BRAKE PIPINGS (W/O TURBO)



PART NO.	QTY	MODEL/RESTRICTION	MODEL/RESTRICTION	MODEL/RESTRICTION	FROM-TO
43-63X		DUCT(R), AIR-BRAKE PIPE			
FC01-43-63XA	1				
43-63X2		DUCT(L), AIR-BRAKE PIPE			
FC01-43-64XA	1				
43-635		CLIP, FLEXIBLE HOSE			
W023-43-635	6				
43-694A		BOLT, CONNECTOR			
B001-43-694A	2				
43-710		PIPE (R), BRAKE-FRONT			
FB05-43-710B	1	((CPE))>(W/O A.A. SUSP)>(L.S. DIFF)) ((CPE))>(A.A. SUSP) (CONVERTIBLE)			
43-710Z		PIPE (L), BRAKE-FRONT			
FB05-43-720B	1	((CPE))>(W/O A.A. SUSP)>(L.S. DIFF)) ((CPE))>(A.A. SUSP) (CONVERTIBLE)			
43-810		HOSE, FLEXIBLE			
FB01-43-810A	2				-9302
A (FB01-43-810B)					
FB01-43-810B	2				9302-
43-810A		HOSE NO. 1, FLEXIBLE			
FB05-43-810	2	((CPE))>(W/O A.A. SUSP)>(L.S. DIFF)) ((CPE))>(A.A. SUSP) (CONVERTIBLE)			
43-900		VALVE, DUAL PROPORTIONING			
FB10-43-900	1				
43-980		HOSE, FLEXIBLE			
FB01-43-980	2	((CPE))>(W/O A.A. SUSP)>(NOR. DIFF))			
45-221		JOINT, PIPE			
FB01-45-291A	1				
9302 FC3MM-704263					

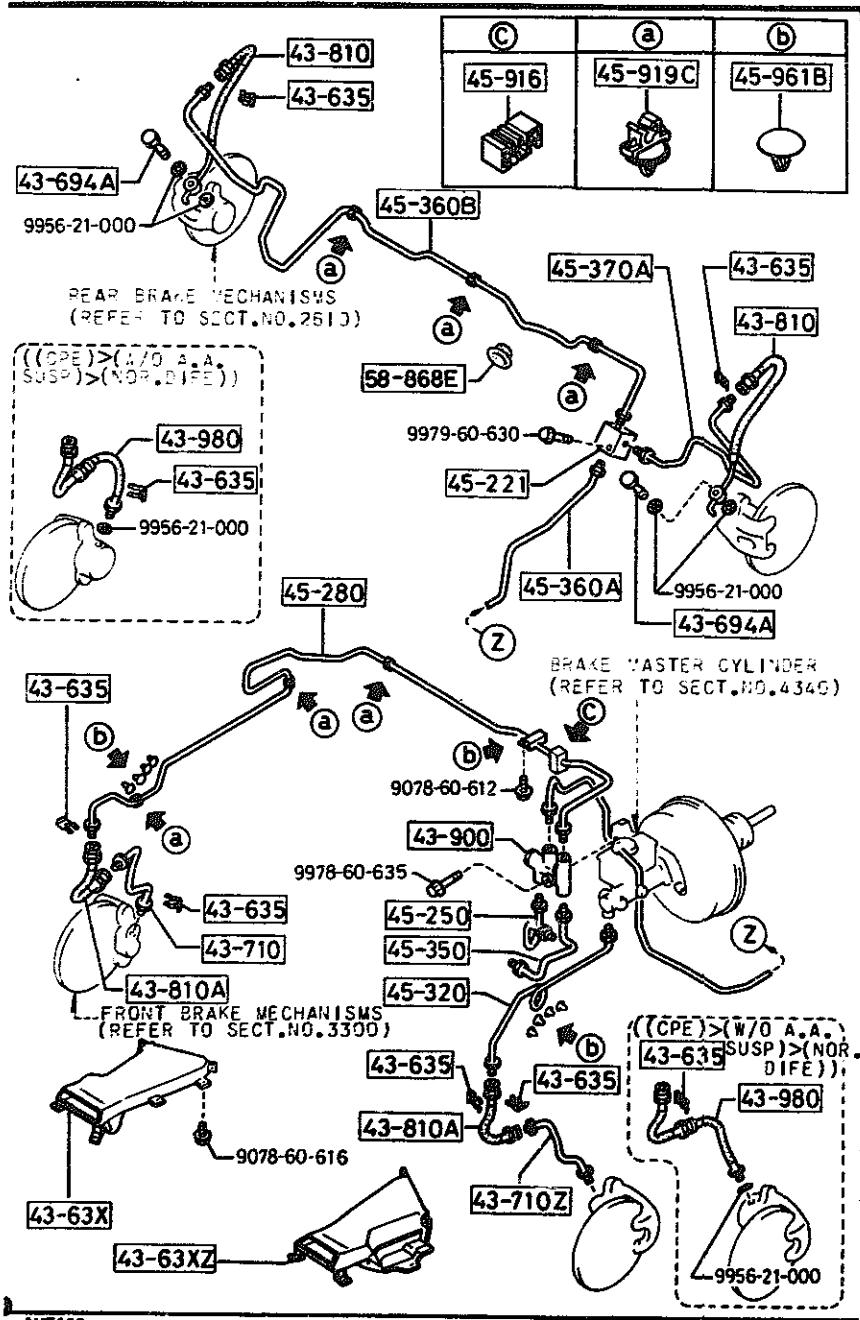
CAT. AUFA02-06

1992-05

2-E10

4360 BRAKE PIPINGS
(W/O TURBO)

4360 -2 * BRAKE PIPINGS
(W/O TURBO)



PART NO.	QTY	MODEL/RESTRICTION	MODEL/RESTRICTION	MODEL/RESTRICTION	FROM-TO
45-250		PIPE, BRAKE-FRT			
FB01-43-360	1				
45-280		PIPE (R), BRAKE-FRONT			
FB01-45-280E	1				
45-320		PIPE (L), BRAKE-FRONT			
FB01-45-320	1				
45-350		PIPE, BRAKE-REAR			
FB02-43-370	1				
45-360A		PIPE, BRAKE-REAR			
FB01-45-360C	1				
45-360B		PIPE (R), REAR BRAKE			
FB01-45-380D A (FB01-45-380E)	1				-9415
FB01-45-380E	1				9415-
45-370A		PIPE (L), REAR BRAKE			
FB01-45-370D	1				
45-916		HOLDER, PIPE			
FB55-45-961A A (FB55-45-961B)	1				-9301
FB55-45-961B	1				9301-
45-919C		CLIP, PIPE			
G030-45-919	6				
45-961B		CAP			
H002-45-961	9				
58-868E		PLUG, SERVICE COVER			
0559-58-868	2				
9301 FC3NKH-704194					
9415 FC3NKH-706193					

FROM-TO

992-05

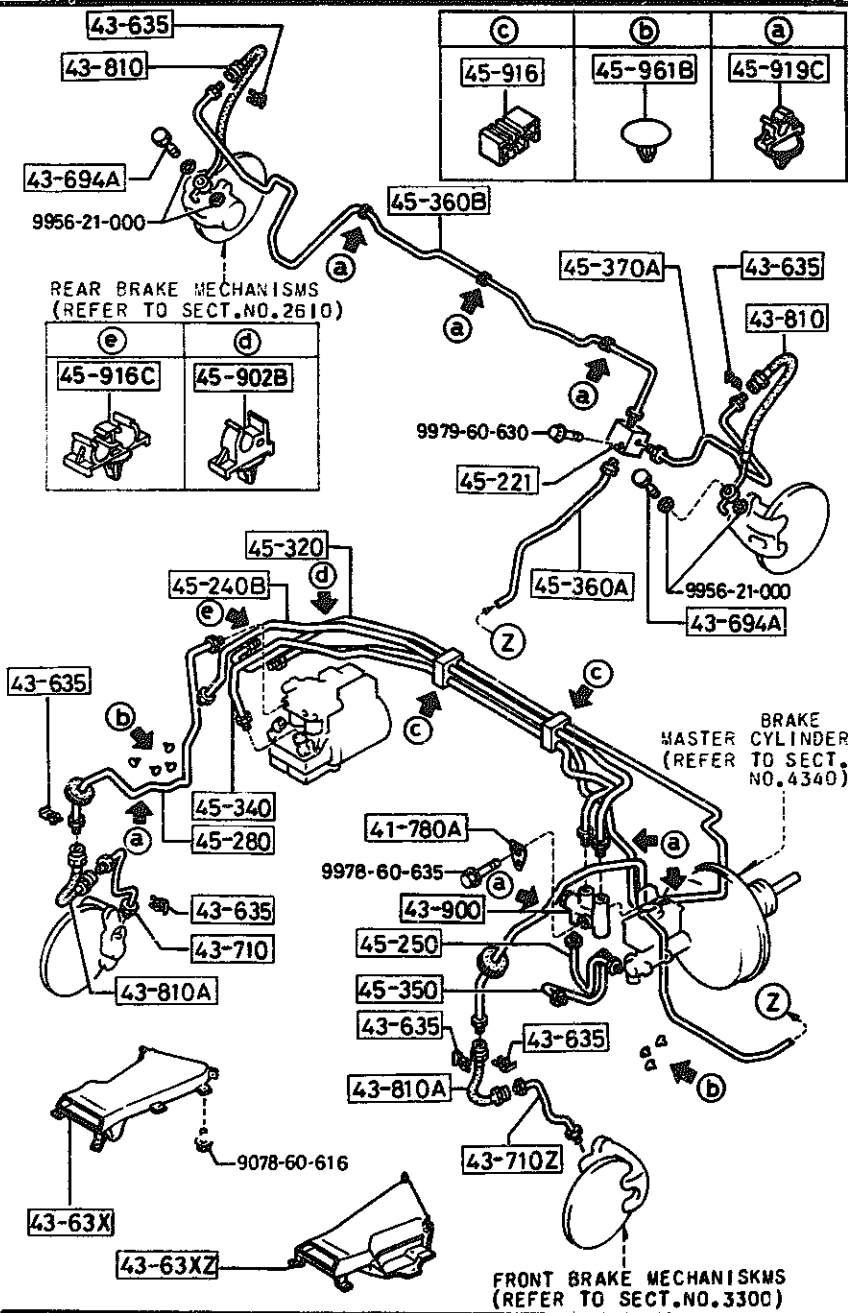
ALFA02

CAT. AUF02-06

1992-05

4360 A BRAKE PIPINGS
(TURBO)

4360 A-1 BRAKE PIPINGS
(TURBO)



PART NO.	QTY	MODEL/RESTRICTION	MODEL/RESTRICTION	MODEL/RESTRICTION	FROM-TO
41-780A		BRACKET, P.B. VALVE			
FB44-41-780A	1				
43-63X		DUCT(R), AIR-BRAKE PIPE			
FC01-43-63XA	1				
43-63XZ		DUCT(L), AIR-BRAKE PIPE			
FC01-43-64XA	1				
43-635		CLIP, FLEXIBLE HOSE			
W023-43-635	6				
43-694A		BOLT, CONNECTOR			
B001-43-694A	2				
43-710		PIPE (R), BRAKE-FRONT			
FB05-43-710B	1				
43-710Z		PIPE (L), BRAKE-FRONT			
FB05-43-720B	1				
43-810		HOSE, FLEXIBLE			
FB01-43-810A A (FB01-43-810B)	2				-9302
FB01-43-810B	2				9302-
43-810A		HOSE NO. 1, FLEXIBLE			
FB05-43-810	2				
43-900		VALVE, DUAL PROPORTIONING			
FB10-43-900	1				
45-221		JOINT, PIPE			
FB01-45-291A	1				
45-240B		PIPE, BRAKE-FRT			
FC49-45-330A A (FC49-45-330B)	1				-9301
FC49-45-330B A (FC49-45-330C)	1				9301-9703
FC49-45-330C	1				9703-

9301 FC3***-704194
9302 FC3***-704263
9703 FC3***-709184

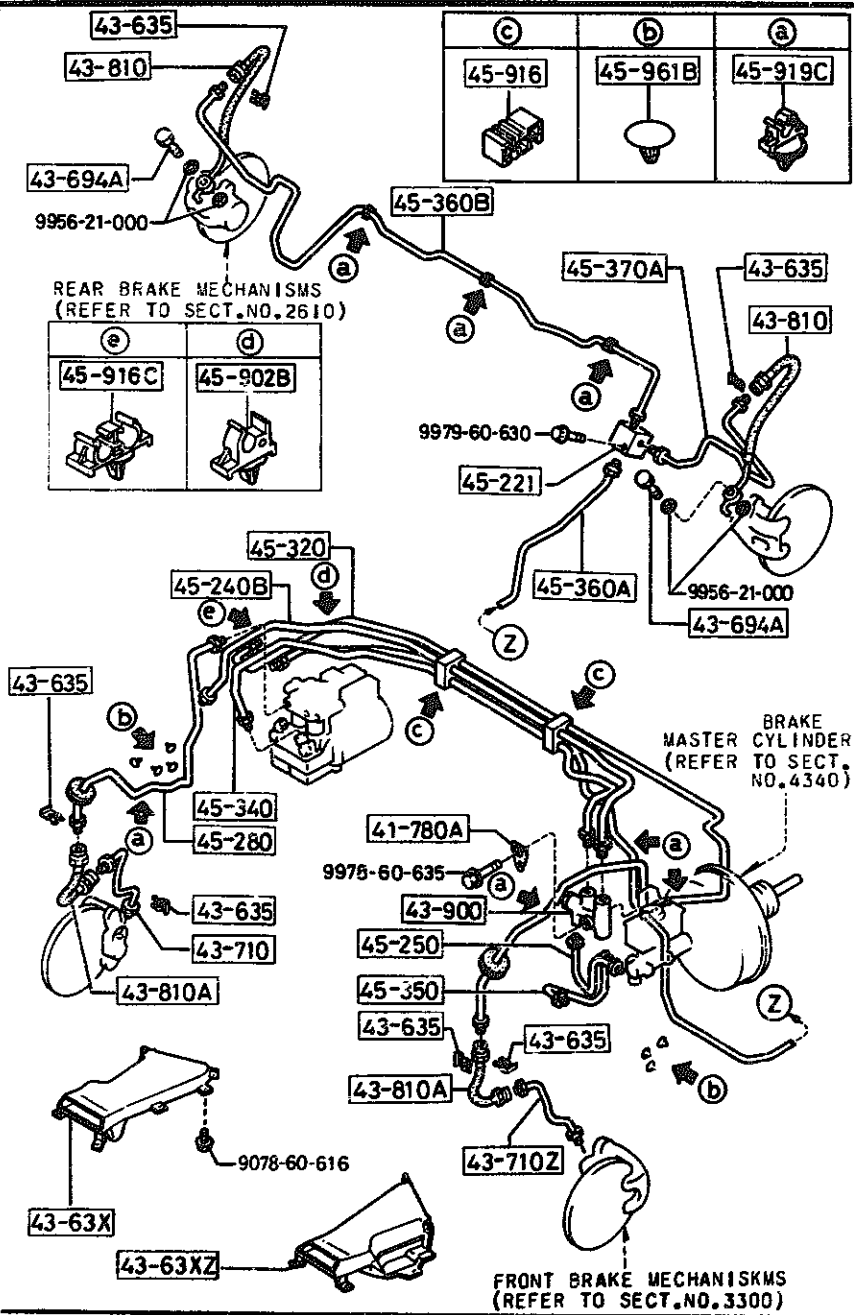
AUFA02

CAT. AUFA02-06

1992-05

4360 A BRAKE PIPINGS
(TURBO)

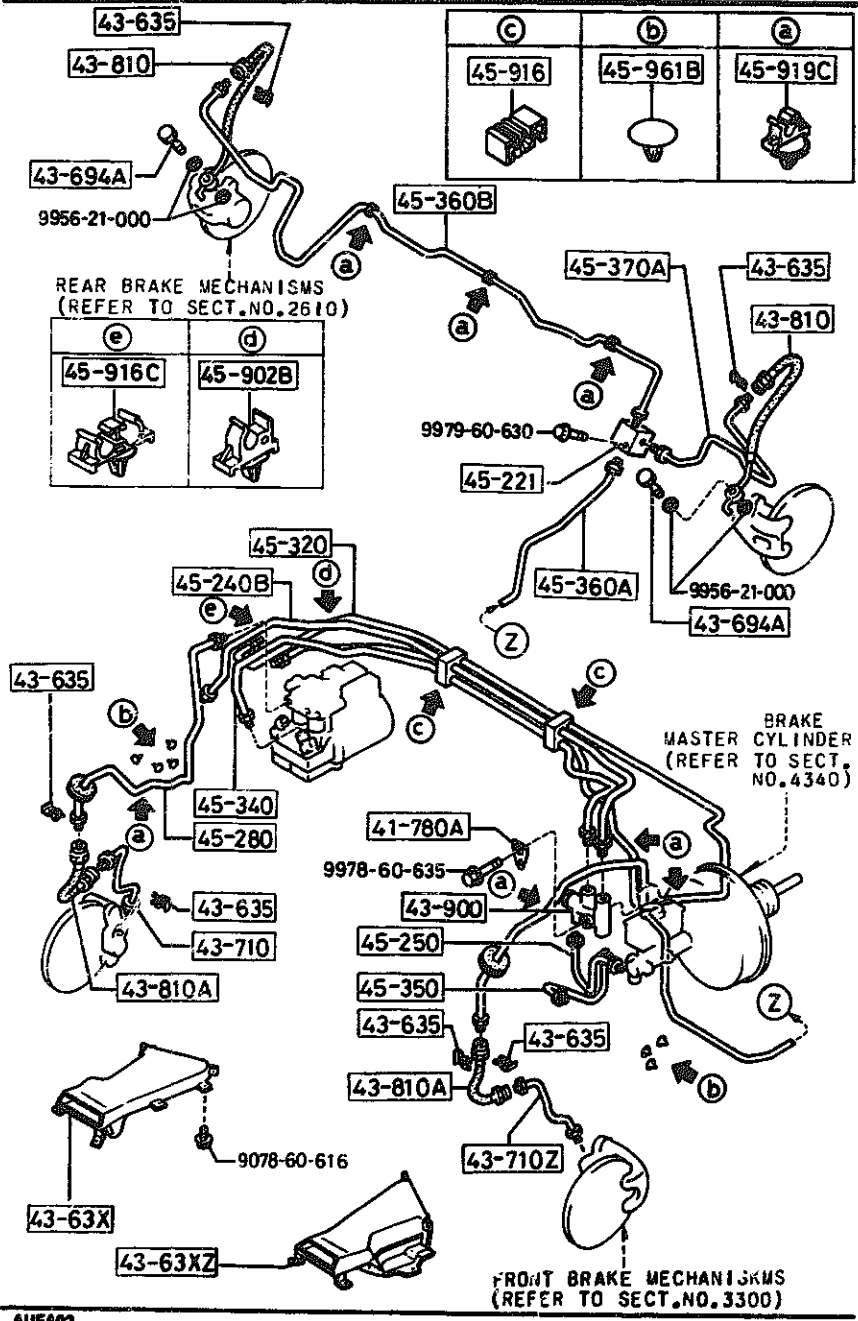
4360 A-2 BRAKE PIPINGS
(TURBO)



PART NO.	QTY	MODEL/RESTRICTION	MODEL/RESTRICTION	MODEL/RESTRICTION	FROM-TO
45-250		PIPE, BRAKE-FRT			
FC06-43-360A A (FC06-43-360B)	1				-9113
FC06-43-360B	1				9113-
45-280		PIPE (R), BRAKE-FRONT			
FB55-45-280F	1				
45-320		PIPE (L), BRAKE-FRONT			
FB55-45-320G A (FB55-45-320H)	1				-9703
FB55-45-320H	1				9703-
45-340		PIPE, BRAKE-REAR			
FC49-45-340A A (FC49-45-340B)	1				-9703
FC49-45-340B	1				9703-
45-350		PIPE, BRAKE-REAR			
FC06-43-370	1				
45-360A		PIPE, BRAKE-REAR			
FB55-45-360C	1				
45-360B		PIPE (R), REAR BRAKE			
FB01-45-380D A (FB01-45-380E)	1				-9415
FB01-45-380E	1				9415-
45-370A		PIPE (L), REAR BRAKE			
FB01-45-370D	1				
45-902B		CLIP			
UA01-45-902	1				
45-916		HOLDER, PIPE			
FB55-45-961A A (FB55-45-961B)	2				-9301
FB55-45-961B	2				9301-
45-916C		HOLDER, PIPE			
FB55-45-951	1				
9113	FC3MMH-700067				
9301	FC3MMH-704194				
9415	FC3MMH-706193				
9703	FC3MMH-709184				

4360 A BRAKE PIPINGS
(TURBO)

4360 A-3 BRAKE PIPINGS
(TURBO)



PART NO.	QTY	MODEL/RESTRICTION	MODEL/RESTRICTION	MODEL/RESTRICTION	FROM-TO
45-919C		CLIP, PIPE			
0030-45-919	7				
45-961B		CAP			
H002-45-961	7				

0M-10

-9601

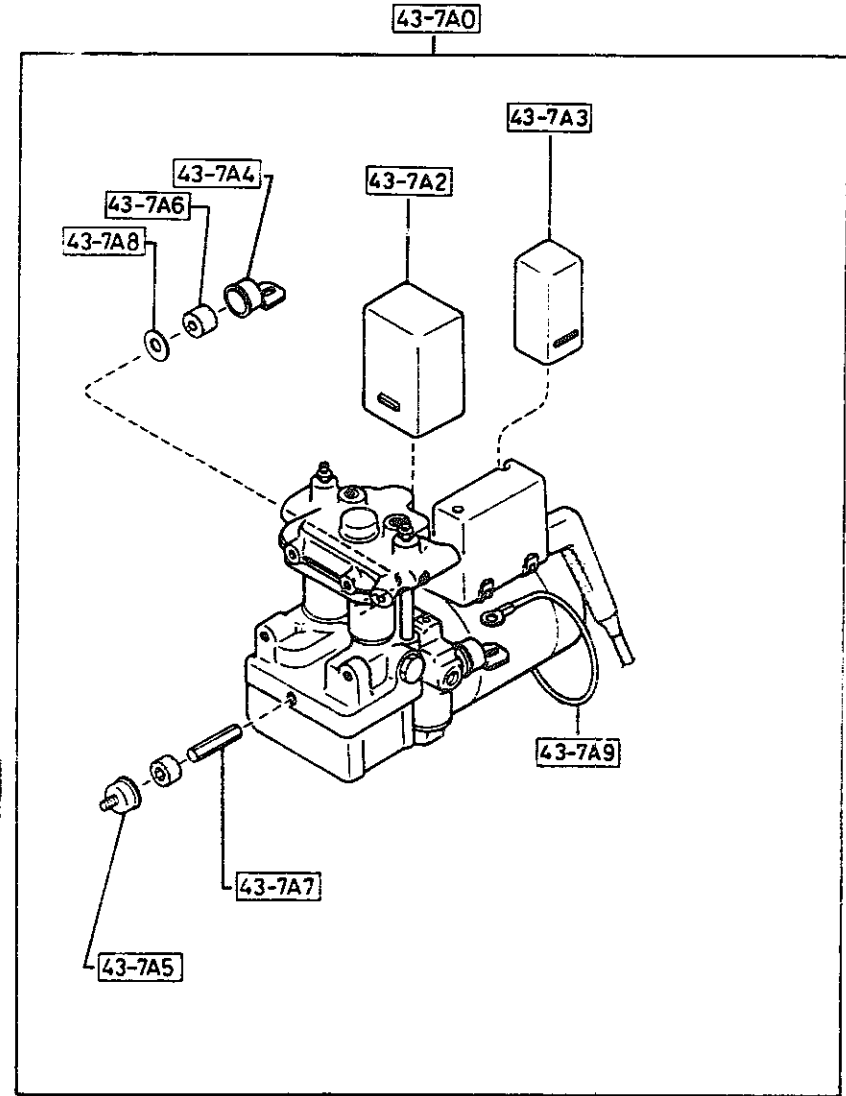
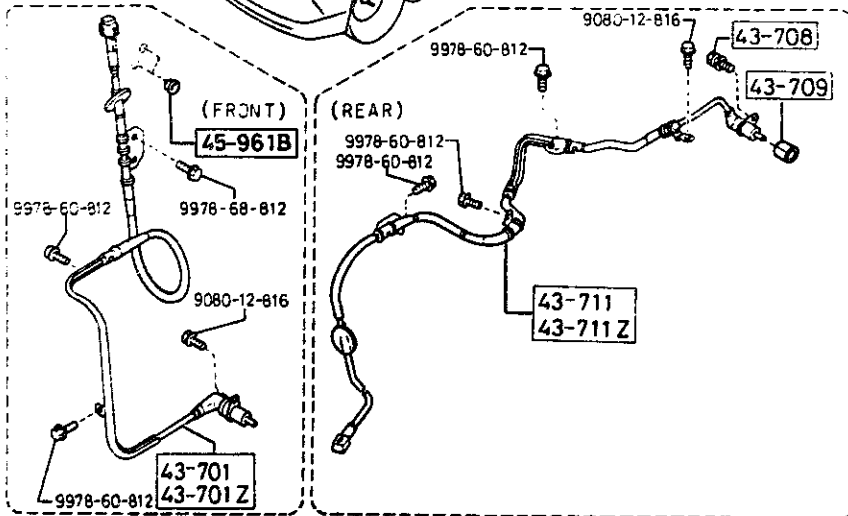
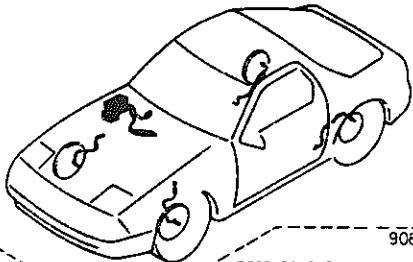
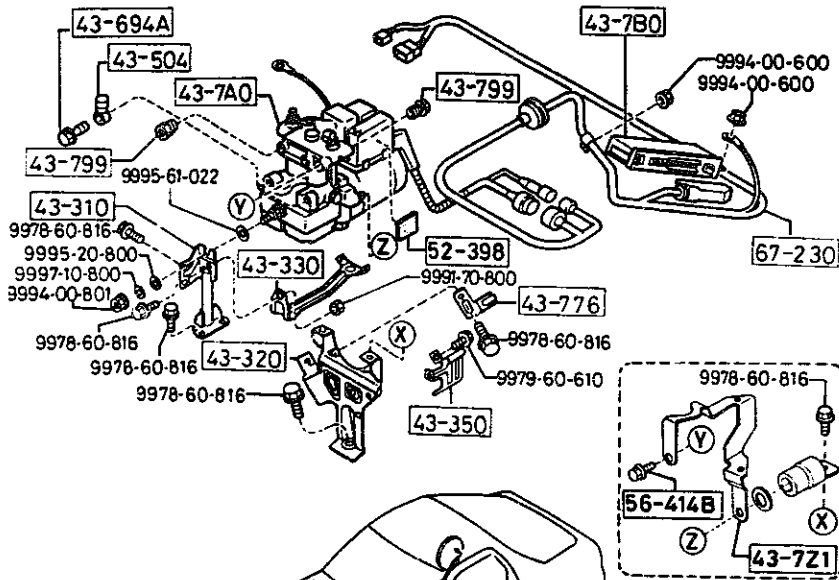
01-

992-05

AUFA02

CAT. AUFA02-06

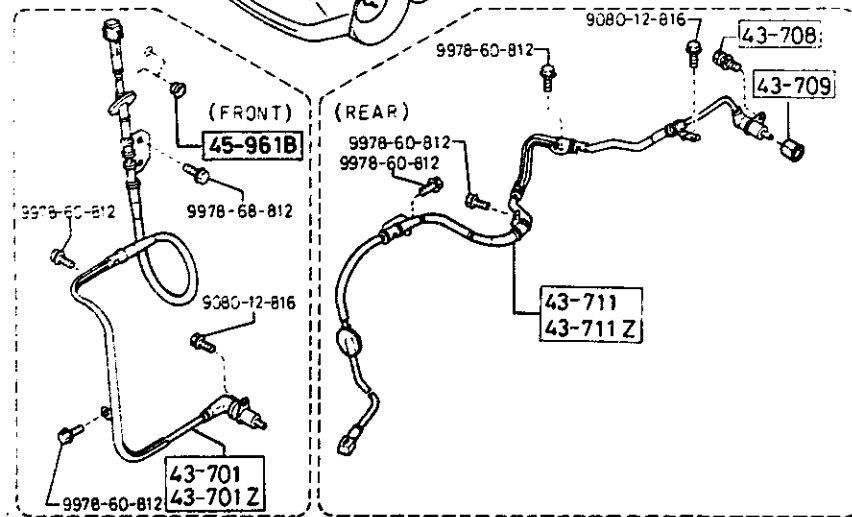
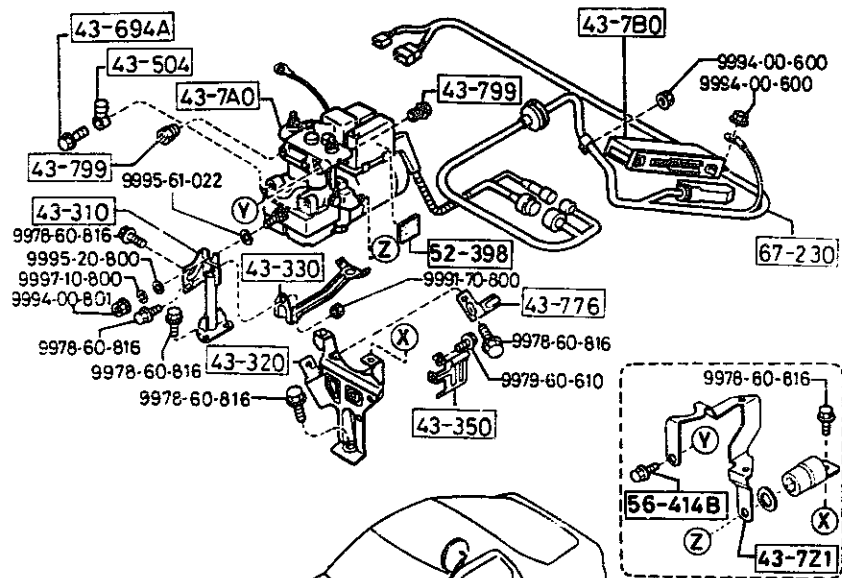
1992-05



4370 ANTILOCK BRAKE SYSTEM
(TURBO)

(1/2)

(THIS ILLUSTRATION CONSISTS OF 2 PAGES)



AUFA02

(CONT'D)

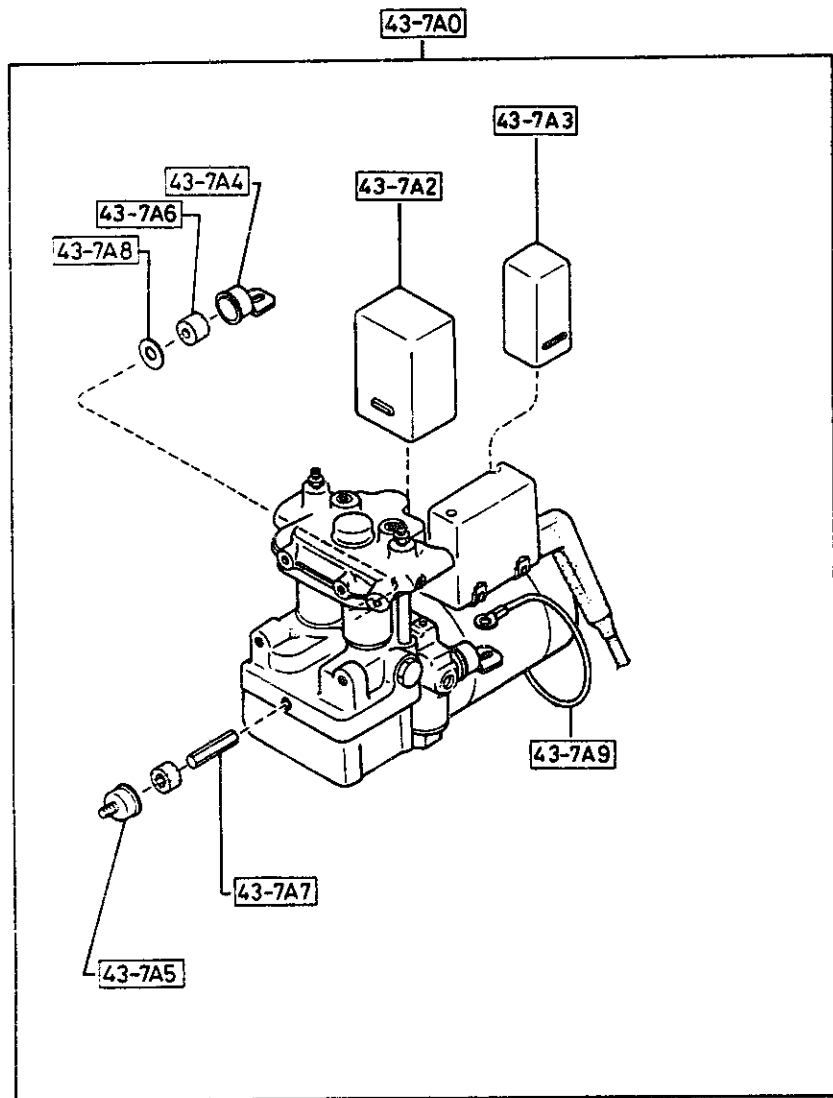
4370 -1 ANTILOCK BRAKE SYSTEM
(TURBO)

PART NO.	QTY	MODEL/RESTRICTION	MODEL/RESTRICTION	MODEL/RESTRICTION	FROM-TO
43-310		BRACKET NO 1,A.B.S.			
FB55-43-310D	1				
43-320		BRACKET NO 2,A.B.S.			
FB55-43-320D	1				
43-330		BRACKET NO.5,A.B.S.			
FB55-43-330C	1				
43-350		INSULATOR, HYDRAULIC UNIT			
FB55-43-350A	1				
43-504		JOINT, PIPE			
W023-43-504	2				
43-694A		BOLT, CONNECTOR			
B001-43-694A	2				
43-7A0		HYDRAULIC UNIT, A B S			
F048-43-7A0J	1				
43-7A2		RELAY, MOTOR-HYD. UNIT			
F048-43-7A2	1				
43-7A3		RELAY, VALVE-HYD. UNIT			
F048-43-7A3	1				
43-7A4		COVER 'L', HYDRAULIC UNIT			
F048-43-7A4B	1				
43-7A5		COVER 'I', HYDRAULIC UNIT			
F048-43-7A5	1				
43-7A6		RUBBER, MOUNT-HYD. UNIT			
F048-43-7A6	1				
43-7A7		STUD, HEX-HYD. UNIT			
F048-43-7A7	1				
43-7A8		WASHER, HYD. UNIT			
F048-43-7A8	1				

CAT. AUFA02-06

1992-05

(THIS ILLUSTRATION CONSISTS OF 2 PAGES)



PART NO.	QTY	MODEL/RESTRICTION	MODEL/RESTRICTION	MODEL/RESTRICTION	FROM-TO
43-7A9		WIRE, EARTH-HYD. UNIT			
F048-43-7A9A	1				
43-7B0		ELECTRIC UNIT, A.B.S.			
F048-43-7B0B	1				
43-7Z1		BRACKET, PIPE HOLDER			
FB55-43-7Z1A	1				
43-701		SENSOR(R), FRT-A.B.S.			
F051-43-70XB	1				
43-701Z		SENSOR(L), FRT-A.B.S.			
F051-43-73XB	1				
43-708		BOLT, REAR SENSOR			
F051-43-708A	2				
43-709		SLEEVE, GUIDE-CONTROL HUB			
F051-43-709	2				
43-711		SENSOR(R), RR A.B.S.			
F051-43-71YC	1				
43-711Z		SENSOR(L), RR-A.B.S.			
F051-43-72YC	1				
43-776		CLIP, ANTILOCK BRAKE SYS.			
F048-43-776C	1				
43-799		JOINT, FLARE			
FB55-43-799	2				
45-961B		CAP			
H002-45-961	2				
52-398		PAD, TANK PROTECTOR			
0866-52-398A	1				
56-414B		BOLT, INSULATOR-FRT HEAT			
FB01-56-414	1				

FROM-TO

-9303

03-

1992-05

AUFA02

CAT. AUFA02-06

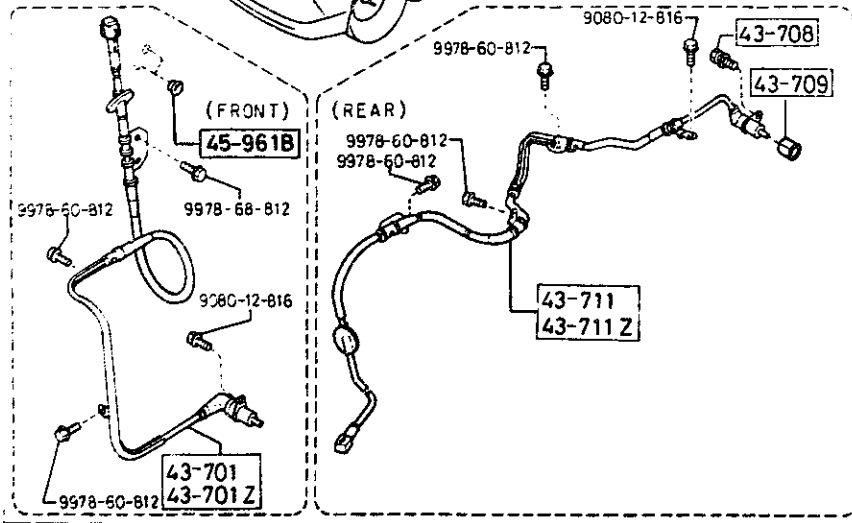
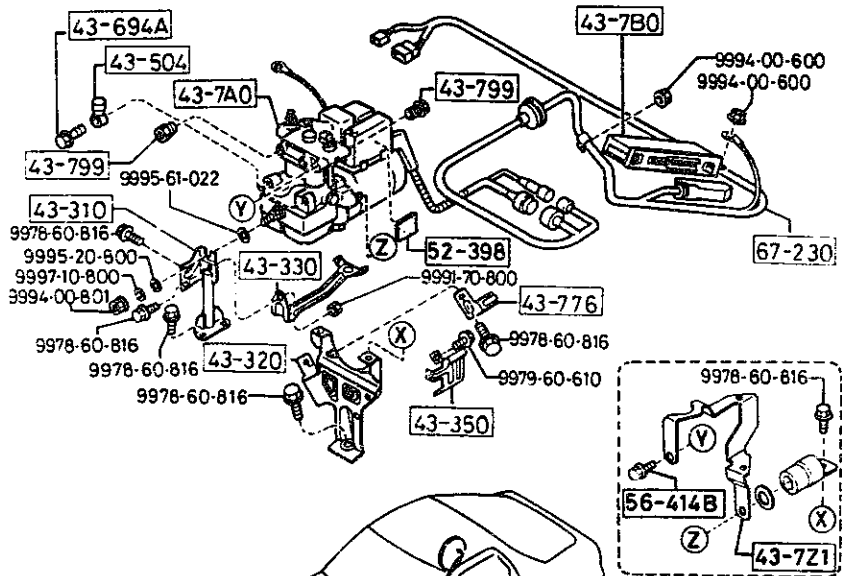
1992-05

4370 ANTILOCK BRAKE SYSTEM (TURBO)

4370 -3 * ANTILOCK BRAKE SYSTEM (TURBO)

(1/2)

(THIS ILLUSTRATION CONSISTS OF 2 PAGES)



PART NO.	QTY	MODEL/RESTRICTION	MODEL/RESTRICTION	MODEL/RESTRICTION	FROM-TO
67-230 FB55-67-230E	1	WIRING,ANTILOCK BRAK E SYS			

AUFA02

(CONT'D)

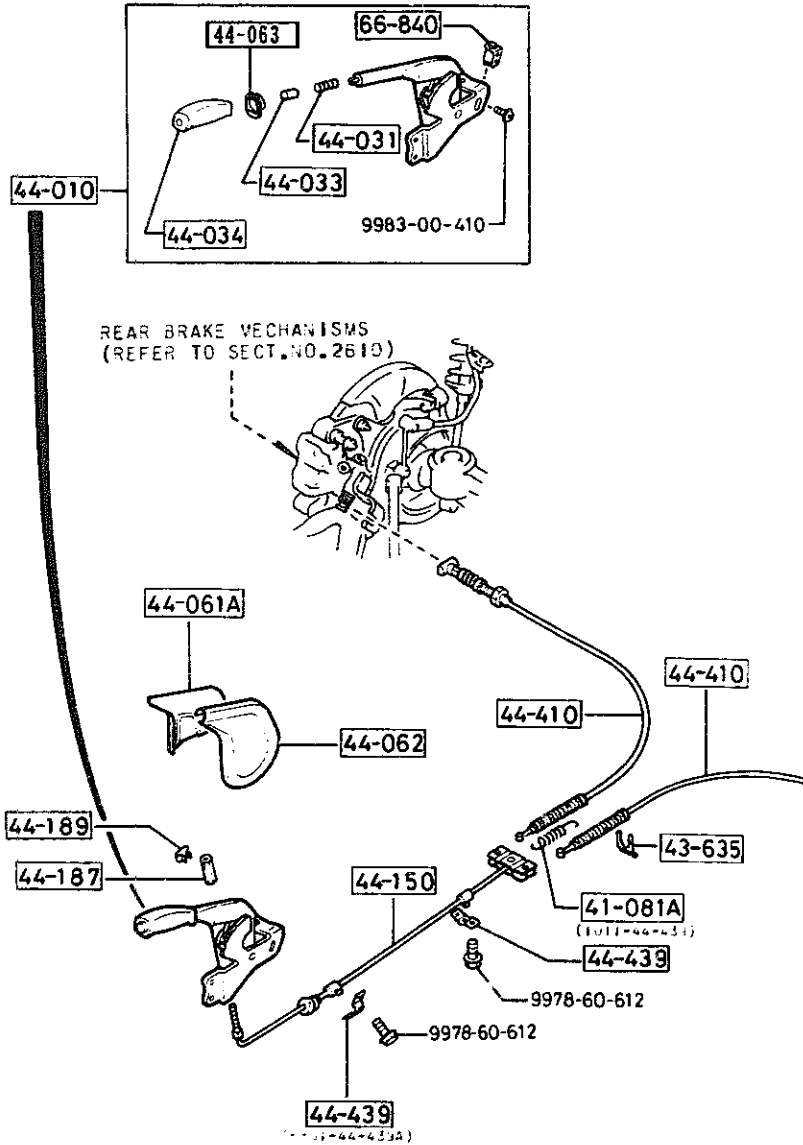
CAT. AUFA02-06

1992-05

2-M10

4400 PARKING BRAKE SYSTEM

4400 -1 PARKING BRAKE SYSTEM



PART NO.	QTY	MODEL/RESTRICTION	MODEL/RESTRICTION	MODEL/RESTRICTION	FROM-TO
41-081A		SPRING, RETURN			
0613-41-308	1				
43-635		CLIP, FLEXIBLE HOSE			
W023-43-635	2				
44-010		LEVER, PARKING BRAKE			
FB01-44-010C	1	((CPE))>(W/O A.A.SUSP) >(NOR. DIFF)			
FC01-44-010A	1	((CPE))>(W/O A.A.SUSP) >(L.S. DIFF) ((CPE))>(A.A.SUSP) (CONVERTIBLE)			
44-031		SPRING, PARKING REVER			
G030-44-031	1				
44-033		BUTTON, RELEASE			
FB01-44-033	1				
44-034		CAP, PARK BRAKE LEVER			
FB01-44-034	1	((CPE))>(W/O A.A.SUSP) >(NOR. DIFF)			
FC01-44-034A	1	((CPE))>(W/O A.A.SUSP) >(L.S. DIFF) ((CPE))>(A.A.SUSP) (CONVERTIBLE)			
44-061A		COVER			
FB01-44-061A A (FB01-44-061B)	1				-9320
FB01-44-061B	1				9320-
44-062		COVER			
FB01-44-062A	1				
44-063		SPACER			
FC01-44-063	1				
44-150		CABLE, PARKING-FRT			
FB01-44-150B	1				
44-187		SCREW, ADJUST			
0566-44-187A	1				

9320 FC3NR-704987

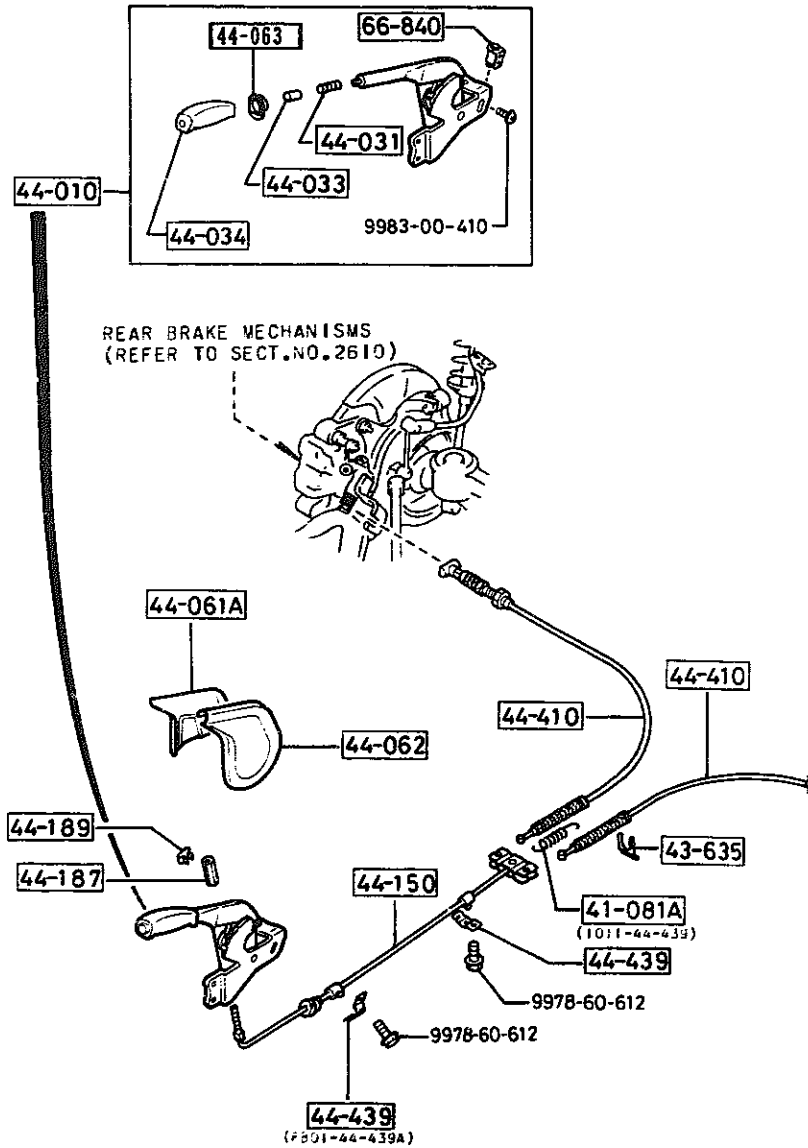
SECTION NAME INDEX (CHASSIS)

LO.NO	SEC.NO	SECTION NAME	LO.NO	SEC.NO	SECTION NAME	LO.NO	SEC.NO	SECTION NAME
2-C03	2505	REAR PROPELLER SHAFT	2-M08	4140	CLUTCH RELEASE & MASTER CYLINDERS (MANUAL TRANSMISSION)			
2-D03	2550	REAR DRIVE SHAFT	2-C09	4145	CLUTCH PIPINGS (MANUAL TRANSMISSION)			
2-E03	2600	REAR AXLE	2-D09	4160	ACCELERATOR CONTROL SYSTEM			
2-G03	2610	REAR BRAKE MECHANISMS	2-E09	4200	FUEL TANK			
2-K03	2710	REAR DIFFERENTIALS (NORMAL DIFF.)	2-H09	4300	CLUTCH & BRAKE PEDALS (MANUAL TRANSMISSION)			
2-C04	2710 A	REAR DIFFERENTIALS (LIMITED SLIP DIFF.)	2-K09	4300A	BRAKE PEDALS (AUTOMATIC TRANSMISSION)			
2-H04	2800	REAR SUSPENSION MECHANISMS	2-M09	4340	BRAKE MASTER CYLINDER & POWER BRAKE (W/O TURBO)			
2-J04	2801	REAR SPRING & DAMPER	2-C10	4340 A	BRAKE MASTER CYLINDER & POWER BRAKE (TURBO)			
2-K04	2810	REAR STABILIZER	2-E10	4360	BRAKE PIPINGS (W/O TURBO)			
2-L04	2830	REAR LOWER ARMS & SUB FRAME	2-G10	4360 A	BRAKE PIPINGS (TURBO)			
2-N04	3200	STEERING WHEEL (W/O AIR BAG)	2-J10	4370	ANTILOCK BRAKE SYSTEM (TURBO)			
2-E05	3200 A	STEERING WHEEL (W/ AIR BAG)						
2-G05	3210	STEERING COLUMN & SHAFTS						
2-I05	3220 A	STEERING GEAR (W/ POWER STEERING: ENGINE REVOLUTION PER MINUTE SENSOR) (GTU, '90-GX L, '90-CONV-W/O AIR BAG)	2-N10	4400	PARKING BRAKE SYSTEM			
2-L05	3220 B	STEERING GEAR (W/ POWER STEERING: VELOCITY SENSOR) (GTUS, '90-G XL, TURBO, '89-CONV, '90-CONV-W/AIR BAG)	2-D11	4500	FUEL PIPINGS			
			2-H11	4600	CHANGE CONTROL SYSTEM (AT)			
2-C06	3240	POWER STEERING SYSTEM						
2-F06	3300	FRONT AXLE						
2-H06	3310	FRONT BRAKE MECHANISMS						
2-K06	3400	FRONT SUSPENSION MECHANISMS						
2-M06	3401	FRONT SPRING & DAMPER						
2-N06	3410	CROSSMEMBER & STABILIZER						
2-C07	3700	TIRES & JACK						
2-C08	3900	ENGINE & T/MISSION MOUNTINGS (MT)						
2-D08	3900A	ENGINE & T/MISSION MOUNTINGS (AT)						
2-E08	4000	EXHAUST SYSTEM (W/O TURBO)						
2-I08	4000 A	EXHAUST SYSTEM (TURBO)						



4400 PARKING BRAKE SYSTEM

4400 -2 * PARKING BRAKE SYSTEM



PART NO.	QTY	MODEL/RESTRICTION	MODEL/RESTRICTION	MODEL/RESTRICTION	FROM-TO
44-189		CLIP			
0866-44-189	1				
44-410		CABLE(R),R.-PARK.			
FB01-44-410E	2				
44-439		CLIP,CABLE			
FB01-44-439A	1				
1011-44-439	1				
66-840		SWITCH,PARKING LAMP			
GJ21-66-450A	1	((CPE)>(W/O A.A.SUSP) >>(NOR.DIFF))			-0101
8871-66-450	1	((CPE)>(W/O A.A.SUSP) >>(L.S.DIFF)) (CPE)>(A.A.SUSP)) (CONVERTIBLE)			
GJ21-66-450A	1	((CPE)>(A.A.SUSP)) (CPE)>(W/O A.A.SUSP) >>(L.S.DIFF)) (CONVERTIBLE)			0101-

0101 FC3MM-805489

POM-10
-9120
20-9404
04-9701
01-
-0101
01-
1992-05

AUFA02

CAT. AUFA02-06

1992-05

2-C11

-9501

-9110

110-

-9110

110-

4500 FUEL PIPINGS

(W/O TURBO)

(THIS ILLUSTRATION CONSISTS OF 2 PAGES)

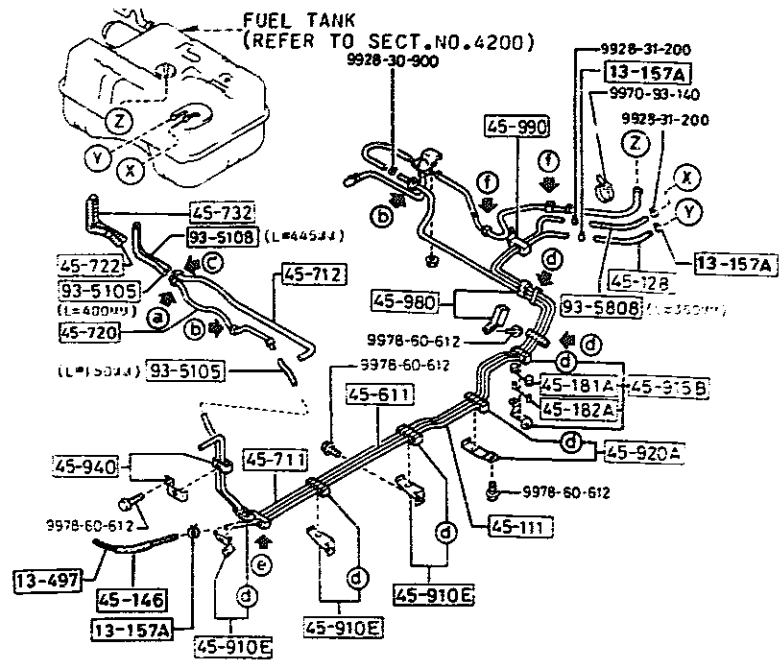
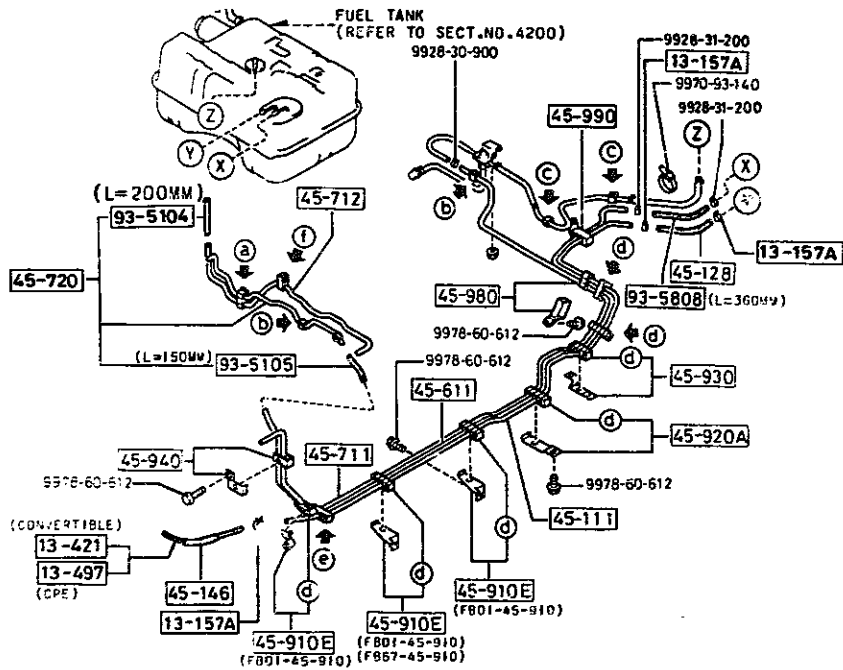
(1/2)

4500 FUEL PIPINGS

(TURBO)

(THIS ILLUSTRATION CONSISTS OF 2 PAGES)

(2/2)



f				
a	b	c	d	e
45-915A 	45-919C 	45-914 	45-912D 	45-919

f				
a	b	c	d	e
45-915A 	45-919C 	45-918 	45-912D 	45-919

93-5104 93-5105 93-5108		99351-05150 L=150MM 99358-08998 L=360MM 99351-04999 L=200MM
-------------------------------	--	---

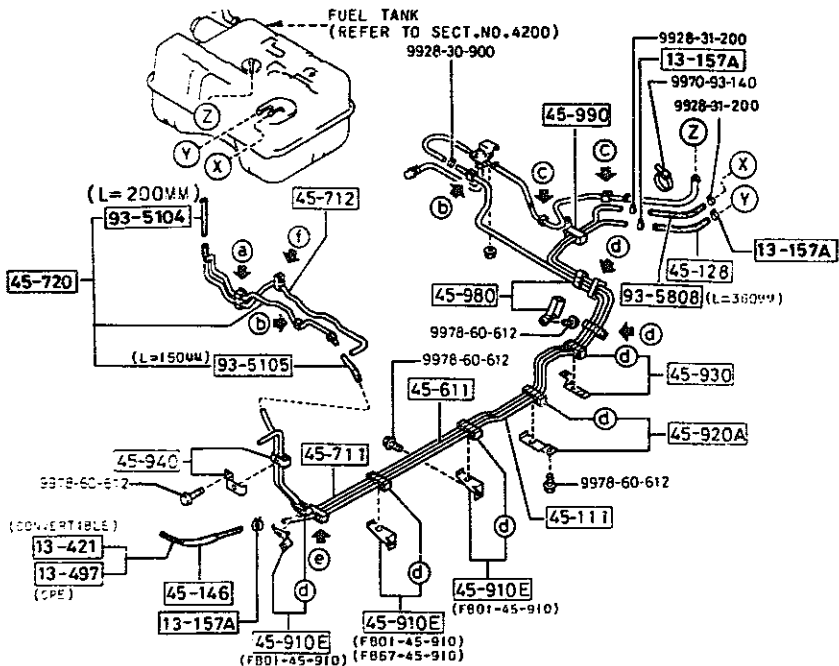
93-5108 93-5105 93-5108		99351-05150 L=150MM 99351-05400 L=400MM 99351-08999 L=445MM 99358-08999 L=360MM
-------------------------------	--	--

4500 FUEL PIPINGS

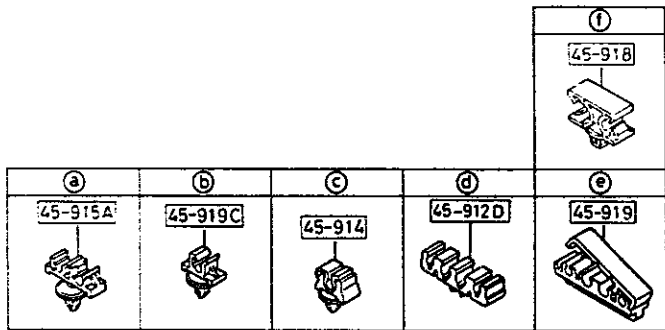
(1/2)

(W/O TURBO)

(THIS ILLUSTRATION CONSISTS OF 2 PAGES)



(CONVERTIBLE)
13-421
13-497
(CPE)



93-5104		99351-05150	L=150MM
93-5105		99358-08999	L=350MM
93-5108		99351-04999	L=200MM

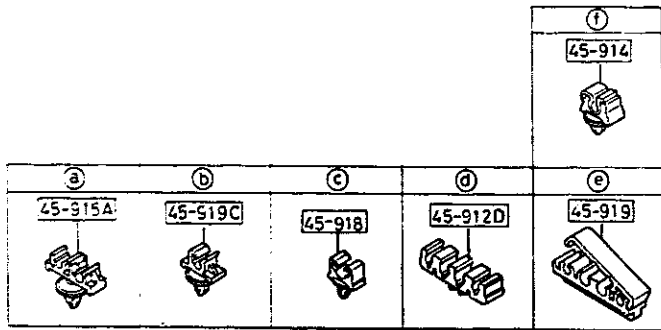
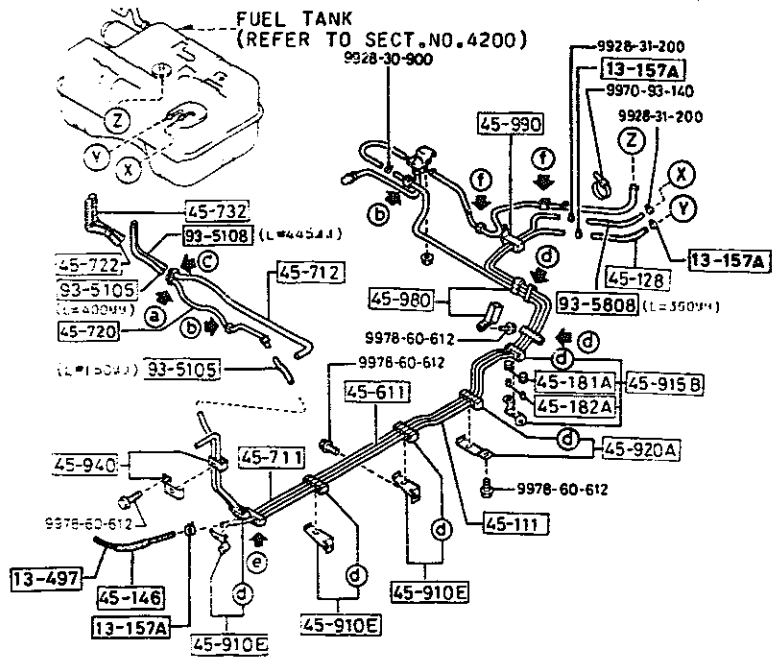
4500 -1 FUEL PIPINGS

PART NO.	QTY	MODEL/RESTRICTION	MODEL/RESTRICTION	MODEL/RESTRICTION	FROM-TO
13-157A		CLIP			
8574-13-157	3				
13-421		HOSE, FUEL MAIN			
B630-13-496	1	(CONVERTIBLE)			
13-497		HOSE, FUEL			
E5A1-13-497A	1	(CPE)			
45-111		PIPE, FUEL-MAIN			
FB01-45-111C	1	(CPE)			
FB70-45-111	1	(CONVERTIBLE)			
45-128		HOSE, FUEL MAIN			
99359-0826F	1				
45-146		PROTECTOR, FUEL HOSE			
8116-45-146	1	(CONVERTIBLE)			
8986-45-146	1	(CPE)			
FB55-45-146	1	(CPE)			
45-181A		RUBBER, MOUNT			
FA23-45-181	2	(TURBO)			
45-182A		SPACER			
FA23-45-182	2	(TURBO)			
45-611		PIPE, FUEL-RETURN			
FB01-45-611E	1				
45-711		PIPE, EVAPORATION			
FB01-45-711B	1				
45-712		PIPE, EVAPO.			
FB01-45-712D	1	(W/O TURBO)			
FB55-45-731	1	(TURBO)			
45-720		PIPE, EVAPORATION-FRO NT			
FC01-45-720	1	(W/O TURBO)			
FB55-45-721	1	(TURBO)			
9C01 FC3MXX-804800					

-9C01
9C01-

(TURBO)

(THIS ILLUSTRATION CONSISTS OF 2 PAGES)



93-5108		99351-05150	L=150MM
93-5105		99351-05400	L=400MM
93-5108		99351-08999	L=445MM
		99358-08999	L=360MM

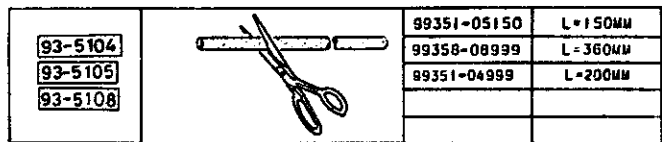
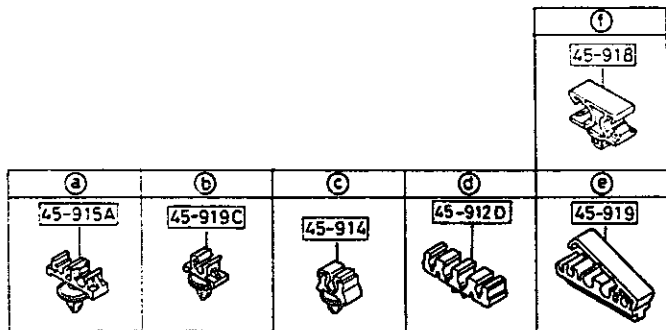
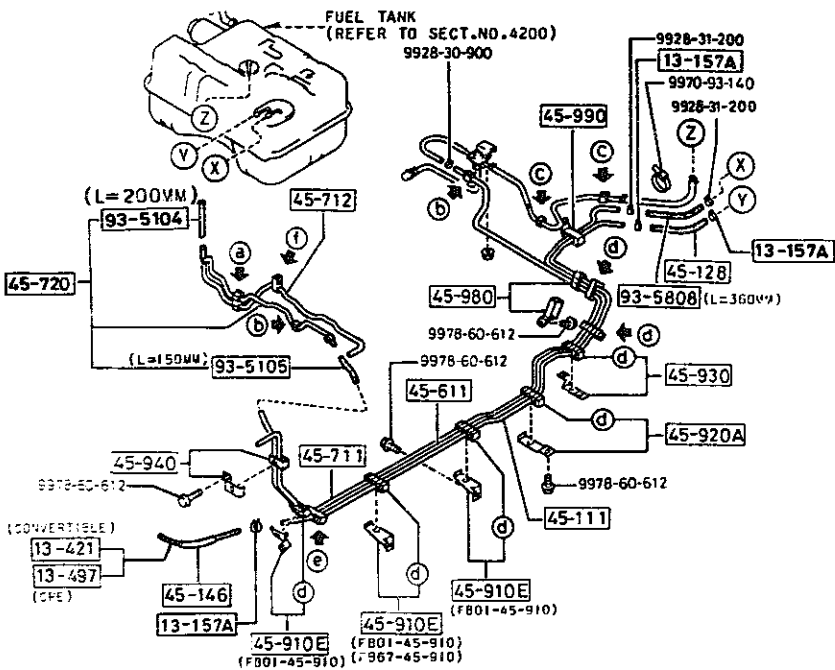
PART NO.	QTY	MODEL/RESTRICTION	MODEL/RESTRICTION	MODEL/RESTRICTION	FROM-TO
45-722		PROTECTOR, EVAPO HOSE -FRT (TURBO)			
FB55-45-722A	1				
45-732		PROTECTOR, EVAPO HOSE (TURBO)			
FB55-45-732A	1				
45-910E		HOLDER, PIPE (CONVERTIBLE)			
FB01-45-910	2				
	3	(CPE)			
FB67-45-910	1	(CONVERTIBLE)			
45-912D		HOLDER 'A'			
FB01-45-912	7				
45-914		HOLDER, PIPE NIFUKO			
FB01-45-914	2				
45-915A		HOLDER, PIPE			
G037-45-913	1				
45-915B		HOLDER, PIPE (TURBO)			
F048-45-930	1				
45-918		CLIP, FUEL PIPE (TURBO)			
B075-45-918	1				
B180-45-918	1	(W/O TURBO)			
45-919		CLIP, PIPE			
FB01-45-919	1				
45-919C		CLIP, PIPE			
G030-45-919	2				
45-920A		HOLDER 'B', PIPE			
FB01-45-920	1				
45-930		HOLDER 'C', PIPE (W/O TURBO)			
FB01-45-930	1				

4500 FUEL PIPINGS

(1/2)

(W/O TURBO)

(THIS ILLUSTRATION CONSISTS OF 2 PAGES)

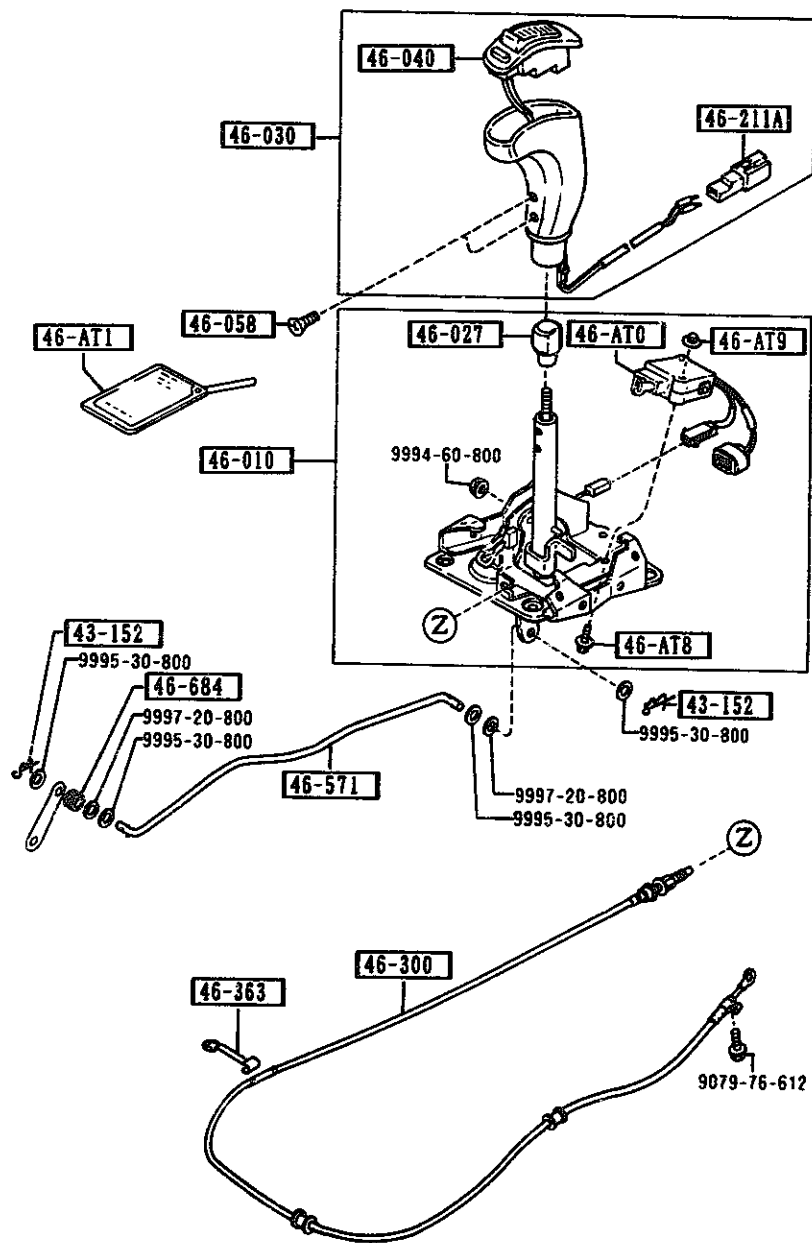


4500 -3 * FUEL PIPINGS

PART NO.	QTY	MODEL/RESTRICTION	MODEL/RESTRICTION	MODEL/RESTRICTION	FROM-TO
45-940		HOLDER, PIPE			
FB01-45-940	1				
45-980		HOLDER'D', PIPE			
FB01-45-980A	1				
45-990		HOLDER'K', PIPE-FUEL			
FB01-45-990	1				
93-5104		HOSE			
99351-04999	1	(W/O TURBO)			
93-5105		HOSE, FUEL			
99351-05150	1				
99351-05400	1				
93-5108		HOSE			
99351-08999	1				

4600 CHANGE CONTROL SYSTEM (AT)

4600 -1 CHANGE CONTROL SYSTEM (AT)



PART NO.	QTY	MODEL/RESTRICTION	MODEL/RESTRICTION	MODEL/RESTRICTION	FROM-TO
43-152		PIN, SNAP			
D001-43-152	2				
46-AT0		ACTUATOR, SHIFT LOCK			
F062-46-AT0	1				-9801
AN(F062-46-AT0A)					9801-
F062-46-AT0A	1				
46-AT1		TAG, CAUTION-CHANGE			
GN52-46-AT1A	1				-9C01
A (GN52-46-AT1B)					9C01-
GN52-46-AT1B	1				
46-AT8		SCREW			
H338-46-AT8	2				
46-AT9		NUT			
H338-46-AT9	2				
46-010		LEVER, SELECT			
FC08-46-100C	1				
46-027		CAM, CHANGE LEVER			
FC07-46-027	1				
46-030		KNOB, CHANGE LEVER			
FC07-46-030A	1	GTU, (PLASTIC) (CPE)			
FC08-46-030A	1	GXL, CONV. (LEATHER)			
46-040		SWITCH, OVER DRIVE CONTROL			
FC07-46-040A	1				
46-058		SCREW, CHANGE LEVER KNOB			
FB02-46-058C	2				
46-211A		CONNECTOR, CHANGE LEVER			
H338-46-211	1				
46-300		CABLE, INTER LOCK			
9801 FC3MMK-800894					
9C01 FC3MMK-804800					

FROM-TO

-9113

13-

-9703

703-

-9703

703-

-9415

415-

-9301

301-

1992-05

AUFA02

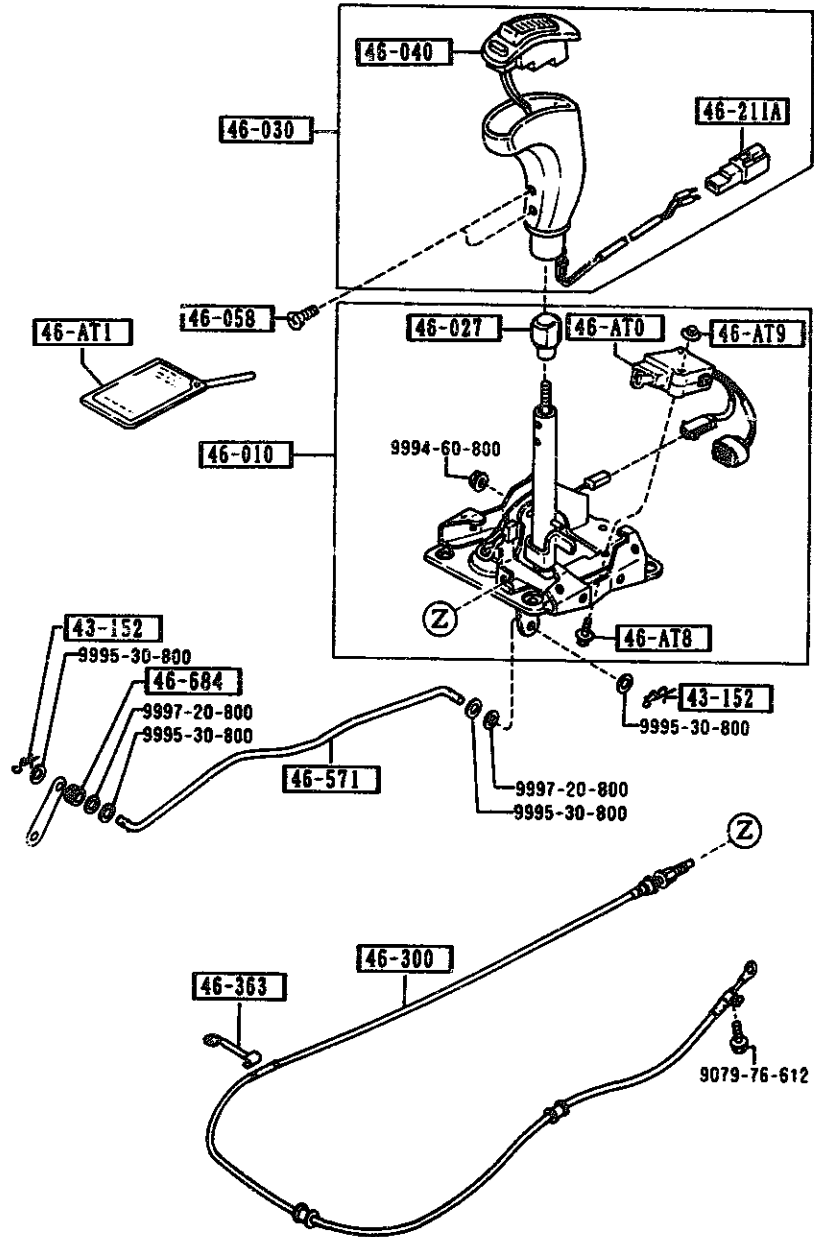
CAT. AUFA02-06

1992-05

2-H11

4600 CHANGE CONTROL SYSTEM (AT)

4600 -2 * CHANGE CONTROL SYSTEM (AT)



PART NO.	QTY	MODEL/RESTRICTION	MODEL/RESTRICTION	MODEL/RESTRICTION	FROM-TO
CONT'D FC08-46-300C	1				
46-363		CLIP, INTER LOCK CABL			
FC08-46-363	2				
46-571		ROD, SELECTOR			
FC07-46-571	1				
46-684		BUSH			
1015-46-684A	1				

2 11